

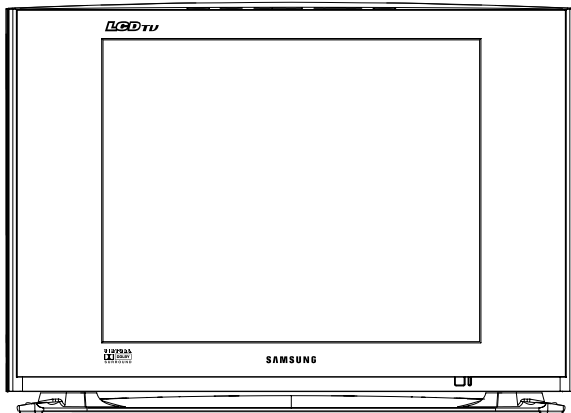
SAMSUNG

TFT-LCD MONITOR

Chassis	Model
AS15SO	LS15E33C
AS17SO	LS17E34C

SERVICE Manual

TFT-LCD MONITOR



CONTENTS

1. Precautions
2. Product Specifications
3. Disassembly & Reassembly
4. Alignment & Adjustments
5. Troubleshooting
6. Exploded View & Parts List
7. Electrical Parts List
8. Block Diagram
9. Wiring Diagram
10. PCB Layout
11. Schematic Diagrams
12. Panel Description



* This Service Manual is a property of Samsung Electronics Co., Ltd.
Any unauthorized use of Manual can be punished under applicable
International and/or domestic law.

Samsung Electronics Co.,Ltd.

416, Maetan-3Dong, Paldal-Gu, Suwon City, Kyungki-Do, Korea, 442-742

Printed in Korea

P/N : BN82-00098C-00

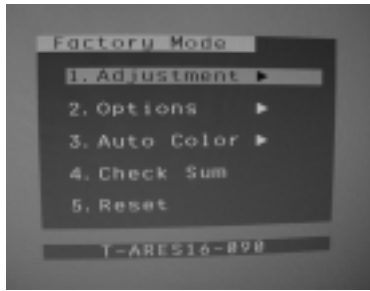
URL : <http://ecms.samsungelectronics.com/>

4 Alignments and Adjustments

4-1 General Alignment Instruction

1. Usually, a color TV-VCR needs only slight touch-up adjustment upon installation. Check the basic characteristics such as height, horizontal and vertical sync.
2. Use the specified test equipment or its equivalent.
3. Correct impedance matching is essential.
4. Avoid overload. Excessive signal from a sweep generator might overload the front-end of the TV. When inserting signal markers, do not allow the marker generator to distort test results.
5. Connect the TV only to an DC power source with voltage and frequency as specified on the backcover nameplate.
6. Do not attempt to connect or disconnect any wire while the TV is turned on. Make sure that the power cord is disconnected before replacing any parts.
7. To protect against shock hazard, use an isolation transformer.

4-2 Adjustment Instruction



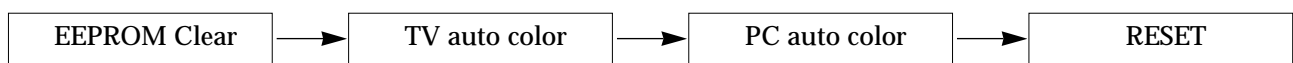
4-2-1 Service Mode Screen

- 1. Adjustment
 - RGB Contrast 24
 - RGB Bright d3
 - R Gain d
 - G Gain d
 - B Gain d
 - FB Gain d
- 2. Options
 - Help Osd : on
 - TTX List : off
 - High D : on
 - Channel Table ▶
 - Eeprom Clear ▶
- 3. Auto Color
 - Auto color (PC) ▶
 - Auto color (TV) ▶
- 4. Check sum
- 5. Reset

4-2-2 Service function

1. EEPROM Clear : Initially executed when replacing OTP.
2. TV Auto Color : Used to adjust TV image color.
3. PC Auto Color : Used to adjust PC image color.
4. Reset : Used after all adjustments.
5. Other functions shown are not service related.

4-2-3 Adjustment Sequence for ROM change only



(For ROM
change only)

3 Disassembly and Reassembly

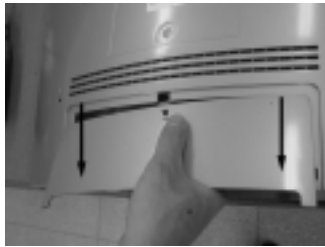
This section of the service manual describes the disassembly and reassembly procedures for the LS15E33C/LS17E34C monitor.

WARNING: This monitor contains electrostatically sensitive devices. Use caution when handling these components.

3-1 Disassembly

- Cautions :**
1. Disconnect the monitor from the power source before disassembly.
 2. Follow these directions carefully; never use metal instruments to pry apart the cabinet.
 3. R/Cover opening jig : BH81-00001A

3-1-1 LS15E33C



1. Loacte the monitor on the cushioned table with face down. Remove the stand from LCD-TV and pull the rear cover by pressing a hand.



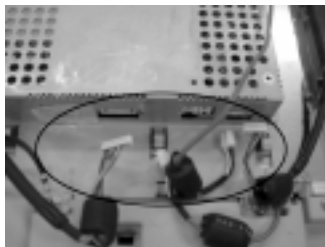
2. Remove power cable on the hand and signal cable on the driver.



3. Remove 2 screws on the rear cover and remove the rear cover by using opening jig.



4. Open the rear cover and remove 6 screws from the holder.



5. Disconnect ass'y shield PCB cable and inverter cable from the shield.
(see illustrations)

3 Disassembly and Reassembly



6. Remove 2 screws from the shield.
Disconnect IR PCB cable. (see illustrations)



7. Lift up the shield D-SUB.
Disconnect LVDS cable. (see illustrations)



8. Lift up the panel. (see illustrations)

3-1-2 LS17E34C



1. Loacte the monitor on the cushioned table with face down. Remove the stand from LCD-TV and pull the rear cover by pressing a hand.



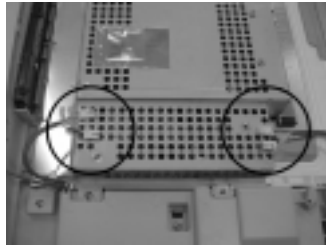
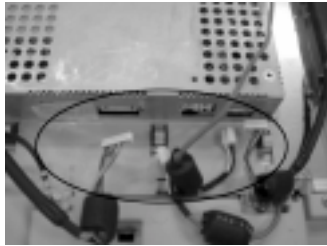
2. Remove power cable on the hand and signal cable on the driver.



3. Remove 2 screws on the rear cover and remove the rear cover by using opening jig.



4. Open the rear cover and remove 8 screws from the shield.



5. Disconnect cable and inverter cable from the shield. (see illustrations)



6. Remove 6 screws from the shield. (see illustrations)



7. Remove IR PCB cable from the shield and lift up the shield. (see illustrations)



8. Remove LVDS cable from the main shield and lift up the panel. (see illustrations)



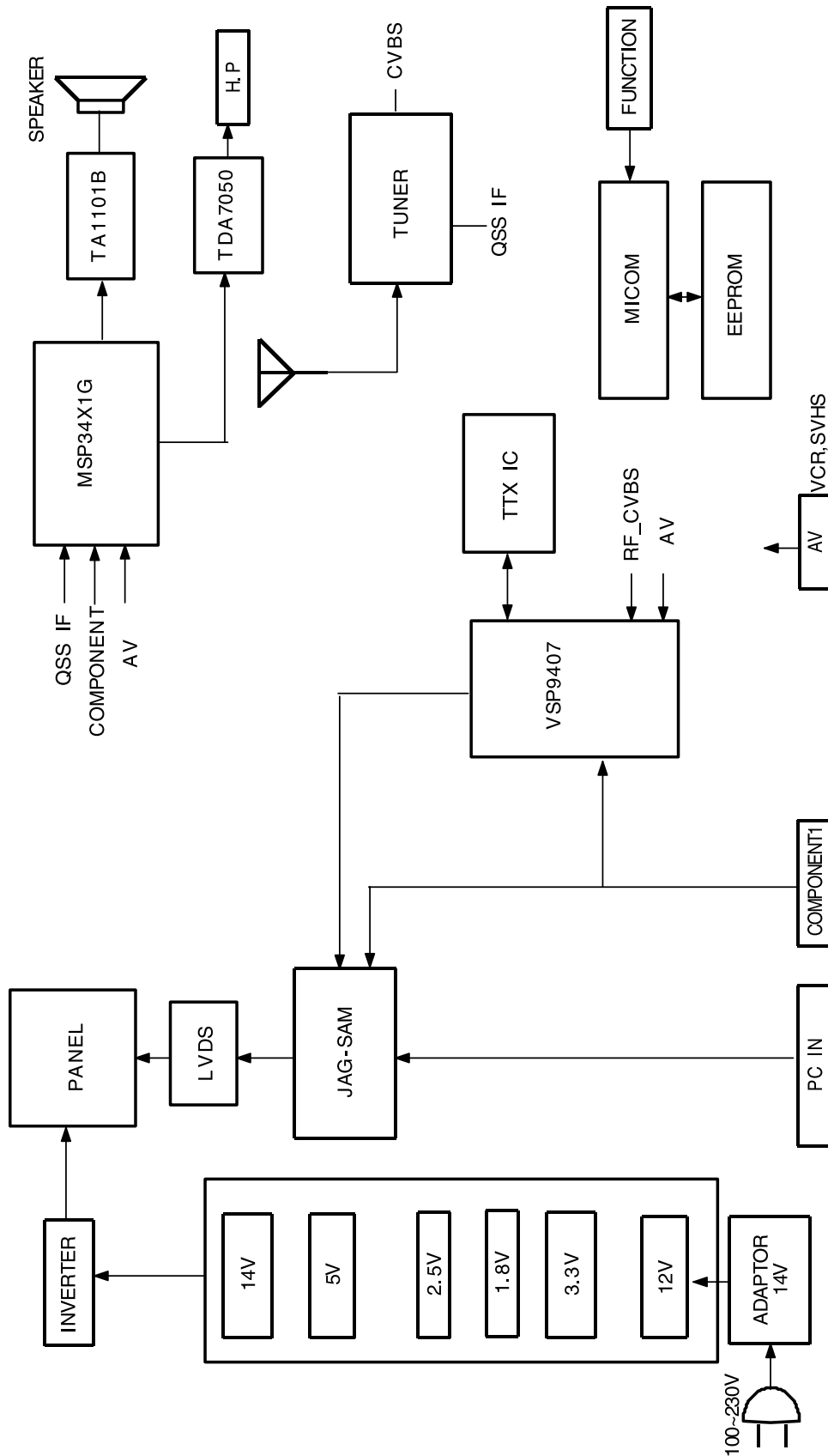
9. Remove the panel.

3-2 Reassembly

Reassembly procedures are in the reverse order of disassembly procedures.

8 Block Diagram

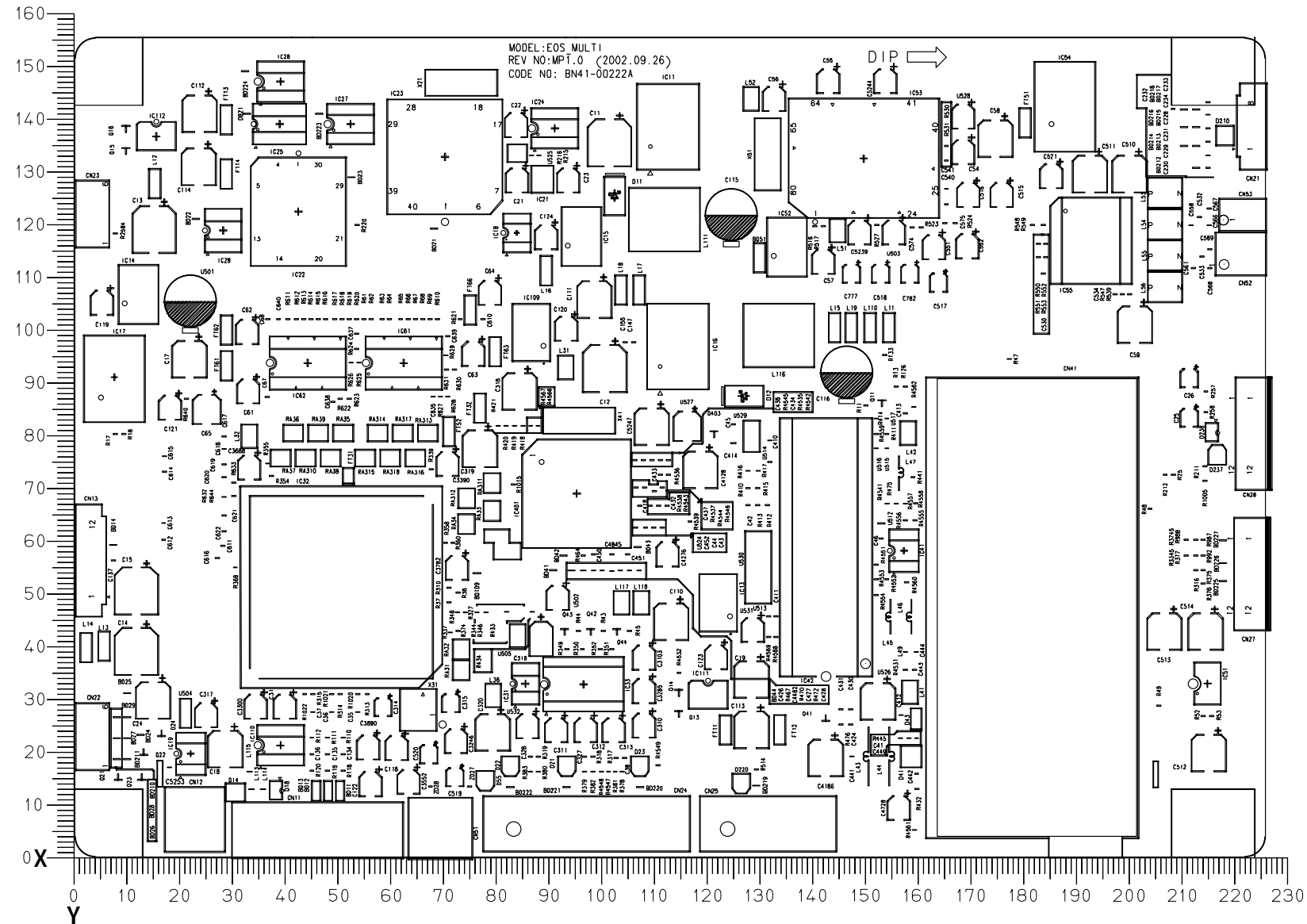
* This Document can not be used without Samsung's authorization.



Memo

10 PCB Layout

10-1 Main PCB Layout Top



Loc. No.	Description	X	Y	Loc. No.	Description	X	Y
DIODE				IC18	IC-EEPROM	84.604	119.536
D11	DIODE-RECTIFIER	103.4	126.7	IC19	IC-EEPROM	22.2	19.8
D12	DIODE-RECTIFIER	128.1	88.3	IC21	IC-VOL. DETECTOR	89.5	131.6
D14	DIODE-ZENER	30.8	12.4	IC22	IC-EPRM	42.8	123.6
D15	DIODE-SWITCHING	52	12.8	IC22 SOCK	SOCKET-IC	42.8	123.6
D16	DIODE-SWITCHING	43.8	12.8	IC23	IC-MICROCONTROLLER	70.9	134.1
D17	DIODE-SWITCHING	47.9	12.8	IC24	IC-TTL	91.9	139.6
D18	DIODE-ZENER	38.6	12.8	IC25	IC-CMOS LOGIC	39.2	140.4
D21	DIODE-ZENER	94.2	17.4	IC26	IC-CMOS LOGIC	39.4	148.5
D210	DIODE-ZENER	220.265	138.1	IC27	IC-CMOS LOGIC	52.8	140.4
D211	DIODE-ZENER	220.465	138.2	IC28	IC-BICMOS LOGIC	28.4	120
D22	DIODE-ZENER	83.4	17.4	IC31	IC-VIDEO SYSTEM	86.3	33.2
D220	DIODE-ZENER	127.6	14.1	IC32	IC-LCD CONTROLLER	51.054	51.689
D23	DIODE-ZENER	108.2	17.4	IC401	IC-DECODER	96.1	69.6
D237	DIODE-ZENER	218.8	77.05	IC41	IC-EEPROM	158.8	58.7
D238	DIODE-ZENER	217.85	81.35	IC42	IC-PAL DECODER	151.4	37.1
D239	DIODE-ZENER	83.38	17.39	IC51	IC-AUDIO AMP	216.903	33.251
D29	DIODE-ZENER	220.465	134.5	IC52	IC-POSI.FIXED REG.	136.4	117.3
D41	DIODE-SWITCHING	160.2	19.2	IC53	IC-SOUND PROCESSOR	151.1	133.8
D43	DIODE-ZENER	161.1	26.5	IC54	IC-POSI.FIXED REG.	189.6	144.3
D55	DIODE-ZENER	78.6	14.6	IC55	IC-AUDIO AMP	194.6	118
DB21	CORE-FERRITE BEAD	33	142.4	IC61	IC-TRANSMITTER	63	94.6
ZD21	DIODE-TVS	220	87.4	IC62	IC-TRANSMITTER	44.6	94.6
ZD22	DIODE-TVS	221.6	89.8	IC64	IC-DRAM	22.8	69.4
ZD25	DIODE-TVS	136.7	16.3	TRANSISTOR			
ZD26	DIODE-TVS	121.4	16.2	Q11	TR-SMALL SIGNAL	154.6	87.5
ZD27	DIODE-TVS	75.6	13.5	Q13	TR-SMALL SIGNAL	115.7	28
ZD28	DIODE-TVS	68.1	13.5	Q14	TR-SMALL SIGNAL	115.7	32
IC				Q15	TR-SMALL SIGNAL	9.8	135.8
IC109	IC-POSI.ADJUST REG.	87.41	100.57	Q16	TR-SMALL SIGNAL	9.8	140
IC11	IC-POSI.FIXED REG.	113.6	141.2	Q21	TR-SMALL SIGNAL	8.3	14.8
IC110	IC-TTL	39.4	21.4	Q22	TR-SMALL SIGNAL	13.2	19.6
IC111	FET-SILICON	121.3	31	Q23	TR-SMALL SIGNAL	12.8	14.8
IC112	FET-SILICON	15.6	138	Q24	TR-SMALL SIGNAL	16.6	23.2
IC13	IC-VOLTAGE REGULATOR	123.2	48.8	Q403	TR-SMALL SIGNAL	122.44	81.56
IC14	IC-POSI.FIXED REG.	12.2	108.2	Q41	TR-SMALL SIGNAL	143.8	26.1
IC16	IC-POSI.FIXED REG.	115.5	99.1	Q42	TR-SMALL SIGNAL	98.8	43.7
IC17	IC-POSI.ADJUST REG.	7.6	91.9	Q43	TR-SMALL SIGNAL	93.8	43.7
				Q44	TR-SMALL SIGNAL	103.8	43.7

Memo

7 Electrical Parts List

* You can search for updated part codes through CMS web site.

URL : <http://ecms.samsungelectronics.com/>

7-1-1 LS15E33C Main PCB Parts

Loc. No.	Code No.	Description	Specification	Remarks
-	BN94-00456H	ASSY PCB MAIN-TF	AS15SO	SNA
C115	2401-002286	C-AL	470uF,20%,16V,WT,TP,10x12.5,5	
C116	2401-002286	C-AL	470uF,20%,16V,WT,TP,10x12.5,5	
CIS	0202-001044	SOLDER-WIRE.	S63S-WV3.0,S63S,D3,63Sn/37Pb,-	SNA
CIS	0202-001222	SOLDER-WIRE FLUX	RS-107,RS60-1.2AA,D1.2,SN60/PB40,-	SNA
CIS	0204-001095	THINNER	#4520,-,-,-	SNA
CIS	0204-001677	FLUX	DF-201TVS,MIX,0.820,FLUX 13%,G	SNA
CIS	BN39-00047A	CBF-HARNESS	100MM,100MM,BLU/WHT/GRY,UL1061,AWG28,51021-1200	
CIS	BN39-00217B	LEAD CONNECTOR	AS17UO,UL2835#28,UL/CSA,6P,190mm,#28,12505HS-06,12505HS-06,BK	SNA
CIS	BN39-00286A	LEAD CONNECTOR-ASSY	ES15UO,UL2835#28,UL/CSA,20P,180MM,#28,12507HS-20,12507HS-20,BK,2835#28,SJ02-01-1	
CIS	BN63-00121A	GASKET	EOS,CONDUCTIVE FABRIC,4MM,30MM,80MM,GRAY,71TSSK 30-4-80-13,71TSSK 30-4-80-13	SNA
CIS	BN63-00583A	GASKET	ES15KO,CONDUCTIVE FABRIC,2.5MM,17MM,260MM,GRAY,71TSSK-17-2.5-260-13,SHIELD FORM	SNA
CIS	BN63-00783A	GASKET	RT17NS,Polyurethane Foam,2.5,17,240,GRAY,71TSSK 17-2.5-240-13,71TSSK 17-2.5-240-	SNA
CN11	3701-001219	CONNECTOR-DSUB	15P,3R,FEMALE,ANGLE,AUF	
CN12	3722-000117	JACK-DC POWER	3P,3.5MM,AG,BLK,NO	SNA
CN24	3722-001547	JACK-PIN	3P,3.5mm,AU,GRN/BLU/RED,-	
CN25	3722-001756	JACK-PIN	2P,-,AU,WHT/RED,-	
CN41	BN40-00009A	TUNER	TCPS9091PD27A,PAL,HYPER,38.9MHZ,2.5V,75 OHM,75 OHM,DIN,5V,TR	
CN51	3722-001055	JACK-PHONE	5P/2C,3.6PI,AG,BLK,#16-22	
CN52	3711-004386	CONNECTOR-HEADER	BOX,3P,1R,2mm,ANGLE,SN	SNA
CN53	3711-004270	CONNECTOR-HEADER	BOX,2P,1R,2MM,ANGLE,SN	SNA
IC42	1204-001904	IC-PAL DECODER	SAAS264PS,SDIP,52P,600MIL,PLASTIC,3.6V,-,20TO+70C,ST,IC-DECODER	
IN/PCB+SH/PCB	6003-000117	SCREW-TAPTITE	BH,+B,M3,L6,ZPC(YEL),SWRCH18A	SNA
L43	2701-000157	INDUCTOR-AXIAL	220uH,5%,2.5x3.4mm	
L44	2701-000210	INDUCTOR-AXIAL	680uH,10%,3x7mm	
L45	2701-000177	INDUCTOR-AXIAL	33uH,10%,2.5x3.4mm	
L46	2701-000177	INDUCTOR-AXIAL	33uH,10%,2.5x3.4mm	
L47	2701-000146	INDUCTOR-AXIAL	2.2uH,10%,2.5x3.4mm	
M/PCB+SH/PCB	6003-000117	SCREW-TAPTITE	BH,+B,M3,L6,ZPC(YEL),SWRCH18A	SNA
SH/PCB+SH/D_SUB	6003-000117	SCREW-TAPTITE	BH,+B,M3,L6,ZPC(YEL),SWRCH18A	SNA
U501	2401-002286	C-AL	470uF,20%,16V,WT,TP,10x12.5,5	
-	BN97-00217G	ASSY SMD-TF	AS15SO	SNA
BD109	3301-001163	CORE-FERRITE BEAD	AB,80ohm,2x1.25x1mm,300mA,TP,FERRITE,0.08ohm	
BD11	3301-001236	CORE-FERRITE BEAD	AB,60ohm,1.6x0.8x0.8mm,200mA,TP,H,0.7ohm	
BD12	3301-001236	CORE-FERRITE BEAD	AB,60ohm,1.6x0.8x0.8mm,200mA,TP,H,0.7ohm	
BD13	3301-001236	CORE-FERRITE BEAD	AB,60ohm,1.6x0.8x0.8mm,200mA,TP,H,0.7ohm	
BD14	3301-001163	CORE-FERRITE BEAD	AB,80ohm,2x1.25x1mm,300mA,TP,FERRITE,0.08ohm	
BD21	3301-001163	CORE-FERRITE BEAD	AB,80ohm,2x1.25x1mm,300mA,TP,FERRITE,0.08ohm	
BD210	3301-001163	CORE-FERRITE BEAD	AB,80ohm,2x1.25x1mm,300mA,TP,FERRITE,0.08ohm	
BD211	3301-001163	CORE-FERRITE BEAD	AB,80ohm,2x1.25x1mm,300mA,TP,FERRITE,0.08ohm	
BD212	3301-001163	CORE-FERRITE BEAD	AB,80ohm,2x1.25x1mm,300mA,TP,FERRITE,0.08ohm	
BD213	3301-001163	CORE-FERRITE BEAD	AB,80ohm,2x1.25x1mm,300mA,TP,FERRITE,0.08ohm	
BD214	3301-001163	CORE-FERRITE BEAD	AB,80ohm,2x1.25x1mm,300mA,TP,FERRITE,0.08ohm	
BD215	3301-001163	CORE-FERRITE BEAD	AB,80ohm,2x1.25x1mm,300mA,TP,FERRITE,0.08ohm	
BD216	3301-001163	CORE-FERRITE BEAD	AB,80ohm,2x1.25x1mm,300mA,TP,FERRITE,0.08ohm	
BD217	3301-001163	CORE-FERRITE BEAD	AB,80ohm,2x1.25x1mm,300mA,TP,FERRITE,0.08ohm	
BD218	3301-001163	CORE-FERRITE BEAD	AB,80ohm,2x1.25x1mm,300mA,TP,FERRITE,0.08ohm	
BD219	3301-001163	CORE-FERRITE BEAD	AB,80ohm,2x1.25x1mm,300mA,TP,FERRITE,0.08ohm	
BD22	3301-001163	CORE-FERRITE BEAD	AB,80ohm,2x1.25x1mm,300mA,TP,FERRITE,0.08ohm	
BD220	3301-001163	CORE-FERRITE BEAD	AB,80ohm,2x1.25x1mm,300mA,TP,FERRITE,0.08ohm	
BD221	3301-001163	CORE-FERRITE BEAD	AB,80ohm,2x1.25x1mm,300mA,TP,FERRITE,0.08ohm	
BD222	3301-001163	CORE-FERRITE BEAD	AB,80ohm,2x1.25x1mm,300mA,TP,FERRITE,0.08ohm	
BD223	3301-001163	CORE-FERRITE BEAD	AB,80ohm,2x1.25x1mm,300mA,TP,FERRITE,0.08ohm	
BD224	3301-001163	CORE-FERRITE BEAD	AB,80ohm,2x1.25x1mm,300mA,TP,FERRITE,0.08ohm	
BD23	3301-001163	CORE-FERRITE BEAD	AB,80ohm,2x1.25x1mm,300mA,TP,FERRITE,0.08ohm	
BD24	3301-001163	CORE-FERRITE BEAD	AB,80ohm,2x1.25x1mm,300mA,TP,FERRITE,0.08ohm	
BD25	3301-001163	CORE-FERRITE BEAD	AB,80ohm,2x1.25x1mm,300mA,TP,FERRITE,0.08ohm	
BD26	3301-001163	CORE-FERRITE BEAD	AB,80ohm,2x1.25x1mm,300mA,TP,FERRITE,0.08ohm	
BD27	3301-001163	CORE-FERRITE BEAD	AB,80ohm,2x1.25x1mm,300mA,TP,FERRITE,0.08ohm	

Loc. No.	Code No.	Description	Specification	Remarks
BD28	3301-001163	CORE-FERRITE BEAD	AB,80ohm,2x1.25x1mm,300mA,TP,FERRITE,0.08ohm	SNA
BD29	3301-001163	CORE-FERRITE BEAD	AB,80ohm,2x1.25x1mm,300mA,TP,FERRITE,0.08ohm	
BD41	3301-001163	CORE-FERRITE BEAD	AB,80ohm,2x1.25x1mm,300mA,TP,FERRITE,0.08ohm	
BD42	3301-001163	CORE-FERRITE BEAD	AB,80ohm,2x1.25x1mm,300mA,TP,FERRITE,0.08ohm	
BD43	3301-001163	CORE-FERRITE BEAD	AB,80ohm,2x1.25x1mm,300mA,TP,FERRITE,0.08ohm	
BD44	3301-001163	CORE-FERRITE BEAD	AB,80ohm,2x1.25x1mm,300mA,TP,FERRITE,0.08ohm	
BD51	3301-001145	CORE-FERRITE BEAD	AB,4.5x1.6x1.6mm,-,-	
BD52	3301-001163	CORE-FERRITE BEAD	AB,80ohm,2x1.25x1mm,300mA,TP,FERRITE,0.08ohm	
C11	2402-001081	C-AL,SMD	100uF,20%,25V,WT,TP,8.3x8.3x10	
C110	2402-001042	C-AL,SMD	100uF,20%,16V,GP,TP,6.6x6.6x5.4mm	
C112	2402-001086	C-AL,SMD	100UF,20%,16V,WT,TP,6.6X6.6X5.3	
C113	2402-001042	C-AL,SMD	100uF,20%,16V,GP,TP,6.6x6.6x5.4mm	
C114	2402-001086	C-AL,SMD	100UF,20%,16V,WT,TP,6.6X6.6X5.3	
C119	2402-000176	C-AL,SMD	10uF,20%,16V,GP,TP,4.3x4.3x5.4	
C12	2402-001081	C-AL,SMD	100uF,20%,25V,WT,TP,8.3x8.3x10	
C120	2402-000176	C-AL,SMD	10uF,20%,16V,GP,TP,4.3x4.3x5.4	
C121	2402-000176	C-AL,SMD	10uF,20%,16V,GP,TP,4.3x4.3x5.4	
C122	2402-000176	C-AL,SMD	10uF,20%,16V,GP,TP,4.3x4.3x5.4	
C123	2402-000176	C-AL,SMD	10uF,20%,16V,GP,TP,4.3x4.3x5.4	
C125	2203-000697	C-CERAMIC,CHIP	0.002NF,0.25PF,50V,COG,TP,1608	
C126	2203-000697	C-CERAMIC,CHIP	0.002NF,0.25PF,50V,COG,TP,1608	
C127	2203-000697	C-CERAMIC,CHIP	0.002NF,0.25PF,50V,COG,TP,1608	
C13	2402-001044	C-AL,SMD	100UF,20%,25V,GP,TP,8.3X8.3X6.3MM	
C131	2203-005065	C-CERAMIC,CHIP	1000nF,+80-20%,10V,Y5V,TP,1608	
C132	2203-005065	C-CERAMIC,CHIP	1000nF,+80-20%,10V,Y5V,TP,1608	
C133	2203-005065	C-CERAMIC,CHIP	1000nF,+80-20%,10V,Y5V,TP,1608	
C134	2203-005065	C-CERAMIC,CHIP	1000nF,+80-20%,10V,Y5V,TP,1608	
C135	2203-005065	C-CERAMIC,CHIP	1000nF,+80-20%,10V,Y5V,TP,1608	
C136	2203-005065	C-CERAMIC,CHIP	1000nF,+80-20%,10V,Y5V,TP,1608	
C137	2203-005065	C-CERAMIC,CHIP	1000nF,+80-20%,10V,Y5V,TP,1608	
C138	2203-005065	C-CERAMIC,CHIP	1000nF,+80-20%,10V,Y5V,TP,1608	
C139	2203-005065	C-CERAMIC,CHIP	1000nF,+80-20%,10V,Y5V,TP,1608	
C14	2402-001044	C-AL,SMD	100UF,20%,25V,GP,TP,8.3X8.3X6.3MM	
C140	2203-005065	C-CERAMIC,CHIP	1000nF,+80-20%,10V,Y5V,TP,1608	
C141	2203-005065	C-CERAMIC,CHIP	1000nF,+80-20%,10V,Y5V,TP,1608	
C142	2203-000189	C-CERAMIC,CHIP	100nF,+80-20%,25V,Y5V,TP,1608,	
C143	2203-000189	C-CERAMIC,CHIP	100nF,+80-20%,25V,Y5V,TP,1608,	
C144	2203-000189	C-CERAMIC,CHIP	100nF,+80-20%,25V,Y5V,TP,1608,	
C145	2203-000189	C-CERAMIC,CHIP	100nF,+80-20%,25V,Y5V,TP,1608,	
C146	2203-000189	C-CERAMIC,CHIP	100nF,+80-20%,25V,Y5V,TP,1608,	
C147	2203-000189	C-CERAMIC,CHIP	100nF,+80-20%,25V,Y5V,TP,1608,	
C148	2203-000189	C-CERAMIC,CHIP	100nF,+80-20%,25V,Y5V,TP,1608,	
C15	2402-001086	C-AL,SMD	100UF,20%,16V,WT,TP,6.6X6.6X5.3	
C150	2203-000189	C-CERAMIC,CHIP	100nF,+80-20%,25V,Y5V,TP,1608,	
C154	2203-000257	C-CERAMIC,CHIP	10nF,10%,50V,X7R,TP,1608	
C155	2203-000257	C-CERAMIC,CHIP	10nF,10%,50V,X7R,TP,1608	
C156	2203-000257	C-CERAMIC,CHIP	10nF,10%,50V,X7R,TP,1608	
C157	2203-000257	C-CERAMIC,CHIP	10nF,10%,50V,X7R,TP,1608	
C158	2203-000257	C-CERAMIC,CHIP	10nF,10%,50V,X7R,TP,1608	
C159	2203-000257	C-CERAMIC,CHIP	10nF,10%,50V,X7R,TP,1608	
C160	2203-000257	C-CERAMIC,CHIP	10nF,10%,50V,X7R,TP,1608	
C162	2203-001155	C-CERAMIC,CHIP	0.068nF,5%,50V,NPO,TP,1608	
C163	2203-000236	C-CERAMIC,CHIP	0.1NF,5%,50V,COG,TP,1608	
C17	2402-001042	C-AL,SMD	100uF,20%,16V,GP,TP,6.6x6.6x5.4mm	
C18	2402-001042	C-AL,SMD	100uF,20%,16V,GP,TP,6.6x6.6x5.4mm	
C19	2402-001042	C-AL,SMD	100uF,20%,16V,GP,TP,6.6x6.6x5.4mm	
C21	2402-000176	C-AL,SMD	10uF,20%,16V,GP,TP,4.3x4.3x5.4	
C210	2203-001417	C-CERAMIC,CHIP	0.036nF,5%,50V,NPO,TP,1608	
C211	2203-005065	C-CERAMIC,CHIP	1000nF,+80-20%,10V,Y5V,TP,1608	
C212	2203-005065	C-CERAMIC,CHIP	1000nF,+80-20%,10V,Y5V,TP,1608	
C213	2203-005065	C-CERAMIC,CHIP	1000nF,+80-20%,10V,Y5V,TP,1608	
C214	2203-005065	C-CERAMIC,CHIP	1000nF,+80-20%,10V,Y5V,TP,1608	
C215	2203-000189	C-CERAMIC,CHIP	100nF,+80-20%,25V,Y5V,TP,1608,	
C216	2203-000189	C-CERAMIC,CHIP	100nF,+80-20%,25V,Y5V,TP,1608,	
C217	2203-000189	C-CERAMIC,CHIP	100nF,+80-20%,25V,Y5V,TP,1608,	

Loc. No.	Code No.	Description	Specification	Remarks
C218	2203-000189	C-CERAMIC,CHIP	100nF,+80-20%,25V,Y5V,TP,1608,	
C219	2203-000189	C-CERAMIC,CHIP	100nF,+80-20%,25V,Y5V,TP,1608,	
C22	2402-000176	C-AL,SMD	10uF,20%,16V,GP,TP,4.3x4.3x5.4	
C220	2203-000189	C-CERAMIC,CHIP	100nF,+80-20%,25V,Y5V,TP,1608,	
C221	2203-000189	C-CERAMIC,CHIP	100nF,+80-20%,25V,Y5V,TP,1608,	
C222	2203-000189	C-CERAMIC,CHIP	100nF,+80-20%,25V,Y5V,TP,1608,	
C223	2203-000784	C-CERAMIC,CHIP	0.33nF,5%,50V,COG,TP,2012	
C224	2203-000784	C-CERAMIC,CHIP	0.33nF,5%,50V,COG,TP,2012	
C225	2203-000257	C-CERAMIC,CHIP	10nF,10%,50V,X7R,TP,1608	
C226	2203-000236	C-CERAMIC,CHIP	0.1nF,5%,50V,COG,TP,1608	
C227	2203-000236	C-CERAMIC,CHIP	0.1nF,5%,50V,COG,TP,1608	
C228	2203-000236	C-CERAMIC,CHIP	0.1nF,5%,50V,COG,TP,1608	
C229	2203-000236	C-CERAMIC,CHIP	0.1nF,5%,50V,COG,TP,1608	
C23	2402-000176	C-AL,SMD	10uF,20%,16V,GP,TP,4.3x4.3x5.4	
C230	2203-000236	C-CERAMIC,CHIP	0.1nF,5%,50V,COG,TP,1608	
C231	2203-000236	C-CERAMIC,CHIP	0.1nF,5%,50V,COG,TP,1608	
C232	2203-000236	C-CERAMIC,CHIP	0.1nF,5%,50V,COG,TP,1608	
C233	2203-000236	C-CERAMIC,CHIP	0.1nF,5%,50V,COG,TP,1608	
C234	2203-000236	C-CERAMIC,CHIP	0.1nF,5%,50V,COG,TP,1608	
C24	2402-001042	C-AL,SMD	100uF,20%,16V,GP,TP,6.6x6.6x5.4mm	
C25	2402-001006	C-AL,SMD	4.7uF,20%,25V,GP,TP,3.6x6.3x3.	
C26	2402-001006	C-AL,SMD	4.7uF,20%,25V,GP,TP,3.6x6.3x3.	
C27	2203-001077	C-CERAMIC,CHIP	0.056nF,5%,50V,NPO,TP,2012	
C28	2203-001077	C-CERAMIC,CHIP	0.056nF,5%,50V,NPO,TP,2012	
C29	2203-001417	C-CERAMIC,CHIP	0.036nF,5%,50V,NPO,TP,1608	
C31	2402-000176	C-AL,SMD	10uF,20%,16V,GP,TP,4.3x4.3x5.4	
C314	2402-001006	C-AL,SMD	4.7uF,20%,25V,GP,TP,3.6x6.3x3.	
C315	2402-001006	C-AL,SMD	4.7uF,20%,25V,GP,TP,3.6x6.3x3.	
C317	2402-000108	C-AL,SMD	10uF,20%,16V,WT,TP,4.3x4.3x5.4	
C318	2402-000179	C-AL,SMD	47uF,20%,16V,GP,TP,6.6x6.6x5.4	
C319	2402-000179	C-AL,SMD	47uF,20%,16V,GP,TP,6.6x6.6x5.4	
C32	2203-000697	C-CERAMIC,CHIP	0.002nF,0.25PF,50V,COG,TP,1608	
C321	2203-005065	C-CERAMIC,CHIP	1000nF,+80-20%,10V,Y5V,TP,1608	
C3246	2402-000176	C-AL,SMD	10uF,20%,16V,GP,TP,4.3x4.3x5.4	
C329	2203-000189	C-CERAMIC,CHIP	100nF,+80-20%,25V,Y5V,TP,1608,	
C33	2203-000697	C-CERAMIC,CHIP	0.002nF,0.25PF,50V,COG,TP,1608	
C330	2203-000189	C-CERAMIC,CHIP	100nF,+80-20%,25V,Y5V,TP,1608,	
C3300	2402-000176	C-AL,SMD	10uF,20%,16V,GP,TP,4.3x4.3x5.4	
C331	2203-000189	C-CERAMIC,CHIP	100nF,+80-20%,25V,Y5V,TP,1608,	
C332	2203-000189	C-CERAMIC,CHIP	100nF,+80-20%,25V,Y5V,TP,1608,	
C333	2203-000189	C-CERAMIC,CHIP	100nF,+80-20%,25V,Y5V,TP,1608,	
C334	2203-000189	C-CERAMIC,CHIP	100nF,+80-20%,25V,Y5V,TP,1608,	
C335	2203-000189	C-CERAMIC,CHIP	100nF,+80-20%,25V,Y5V,TP,1608,	
C336	2203-000189	C-CERAMIC,CHIP	100nF,+80-20%,25V,Y5V,TP,1608,	
C337	2203-000189	C-CERAMIC,CHIP	100nF,+80-20%,25V,Y5V,TP,1608,	
C338	2203-000189	C-CERAMIC,CHIP	100nF,+80-20%,25V,Y5V,TP,1608,	
C339	2203-000189	C-CERAMIC,CHIP	100nF,+80-20%,25V,Y5V,TP,1608,	
C3390	2402-000176	C-AL,SMD	10uF,20%,16V,GP,TP,4.3x4.3x5.4	
C34	2203-000697	C-CERAMIC,CHIP	0.002nF,0.25PF,50V,COG,TP,1608	
C340	2203-000189	C-CERAMIC,CHIP	100nF,+80-20%,25V,Y5V,TP,1608,	
C341	2203-000189	C-CERAMIC,CHIP	100nF,+80-20%,25V,Y5V,TP,1608,	
C342	2203-000189	C-CERAMIC,CHIP	100nF,+80-20%,25V,Y5V,TP,1608,	
C343	2203-000189	C-CERAMIC,CHIP	100nF,+80-20%,25V,Y5V,TP,1608,	
C344	2203-000189	C-CERAMIC,CHIP	100nF,+80-20%,25V,Y5V,TP,1608,	
C345	2203-000189	C-CERAMIC,CHIP	100nF,+80-20%,25V,Y5V,TP,1608,	
C346	2203-000189	C-CERAMIC,CHIP	100nF,+80-20%,25V,Y5V,TP,1608,	
C347	2203-000189	C-CERAMIC,CHIP	100nF,+80-20%,25V,Y5V,TP,1608,	
C348	2203-000189	C-CERAMIC,CHIP	100nF,+80-20%,25V,Y5V,TP,1608,	
C349	2203-000189	C-CERAMIC,CHIP	100nF,+80-20%,25V,Y5V,TP,1608,	
C35	2203-005065	C-CERAMIC,CHIP	1000nF,+80-20%,10V,Y5V,TP,1608	
C350	2203-000189	C-CERAMIC,CHIP	100nF,+80-20%,25V,Y5V,TP,1608,	
C351	2203-000189	C-CERAMIC,CHIP	100nF,+80-20%,25V,Y5V,TP,1608,	
C352	2203-000189	C-CERAMIC,CHIP	100nF,+80-20%,25V,Y5V,TP,1608,	
C353	2203-000189	C-CERAMIC,CHIP	100nF,+80-20%,25V,Y5V,TP,1608,	
C354	2203-000189	C-CERAMIC,CHIP	100nF,+80-20%,25V,Y5V,TP,1608,	

7 Electrical Parts List

Loc. No.	Code No.	Description	Specification	Remarks
C355	2203-000189	C-CERAMIC,CHIP	100nF,+80-20%,25V,Y5V,TP,1608,	
C3552	2402-000176	C-AL,SMD	10uF,20%,16V,GP,TP,4.3x4.3x5.4	
C356	2203-000189	C-CERAMIC,CHIP	100nF,+80-20%,25V,Y5V,TP,1608,	
C357	2203-000189	C-CERAMIC,CHIP	100nF,+80-20%,25V,Y5V,TP,1608,	
C358	2203-000189	C-CERAMIC,CHIP	100nF,+80-20%,25V,Y5V,TP,1608,	
C359	2203-000189	C-CERAMIC,CHIP	100nF,+80-20%,25V,Y5V,TP,1608,	
C36	2203-005065	C-CERAMIC,CHIP	1000nF,+80-20%,10V,Y5V,TP,1608	
C360	2203-000189	C-CERAMIC,CHIP	100nF,+80-20%,25V,Y5V,TP,1608,	
C361	2203-000189	C-CERAMIC,CHIP	100nF,+80-20%,25V,Y5V,TP,1608,	
C362	2203-000189	C-CERAMIC,CHIP	100nF,+80-20%,25V,Y5V,TP,1608,	
C363	2203-000189	C-CERAMIC,CHIP	100nF,+80-20%,25V,Y5V,TP,1608,	
C365	2203-000440	C-CERAMIC,CHIP	1nF,10%,50V,X7R,TP,1608,-	
C366	2203-000440	C-CERAMIC,CHIP	1nF,10%,50V,X7R,TP,1608,-	
C367	2203-000440	C-CERAMIC,CHIP	1nF,10%,50V,X7R,TP,1608,-	
C368	2203-000440	C-CERAMIC,CHIP	1nF,10%,50V,X7R,TP,1608,-	
C3688	2402-000176	C-AL,SMD	10uF,20%,16V,GP,TP,4.3x4.3x5.4	
C369	2203-000440	C-CERAMIC,CHIP	1nF,10%,50V,X7R,TP,1608,-	
C37	2203-005065	C-CERAMIC,CHIP	1000nF,+80-20%,10V,Y5V,TP,1608	
C370	2203-000440	C-CERAMIC,CHIP	1nF,10%,50V,X7R,TP,1608,-	
C372	2203-005005	C-CERAMIC,CHIP	100nF,10%,16V,X7R,TP,1608	
C373	2203-000257	C-CERAMIC,CHIP	10nF,10%,50V,X7R,TP,1608	
C374	2203-000257	C-CERAMIC,CHIP	10nF,10%,50V,X7R,TP,1608	
C375	2203-000257	C-CERAMIC,CHIP	10nF,10%,50V,X7R,TP,1608	
C376	2203-000257	C-CERAMIC,CHIP	10nF,10%,50V,X7R,TP,1608	
C3782	2402-000176	C-AL,SMD	10uF,20%,16V,GP,TP,4.3x4.3x5.4	
C383	2203-000257	C-CERAMIC,CHIP	10nF,10%,50V,X7R,TP,1608	
C384	2203-000384	C-CERAMIC,CHIP	0.015NF,5%,50V,COG,TP,1608	
C3890	2402-000144	C-AL,SMD	3.3uF,20%,50V,GP,TP,4.3x4.3x5.	
C39	2203-000189	C-CERAMIC,CHIP	100nF,+80-20%,25V,Y5V,TP,1608,	
C41	2203-000903	C-CERAMIC,CHIP	0.0047NF,0.25PF,50V,COG,TP,1608	
C410	2203-000189	C-CERAMIC,CHIP	100nF,+80-20%,25V,Y5V,TP,1608,	
C411	2203-000257	C-CERAMIC,CHIP	10nF,10%,50V,X7R,TP,1608	
C412	2203-000257	C-CERAMIC,CHIP	10nF,10%,50V,X7R,TP,1608	
C413	2203-000257	C-CERAMIC,CHIP	10nF,10%,50V,X7R,TP,1608	
C414	2203-002793	C-CERAMIC,CHIP	1000nF,+80-20%,25V,Y5V,TP,2012	
C415	2203-005065	C-CERAMIC,CHIP	1000nF,+80-20%,10V,Y5V,TP,1608	
C416	2203-005065	C-CERAMIC,CHIP	1000nF,+80-20%,10V,Y5V,TP,1608	
C417	2203-005065	C-CERAMIC,CHIP	1000nF,+80-20%,10V,Y5V,TP,1608	
C418	2203-005065	C-CERAMIC,CHIP	1000nF,+80-20%,10V,Y5V,TP,1608	
C4186	2402-001042	C-AL,SMD	100uF,20%,16V,GP,TP,6.6x6.6x5.4mm	
C419	2203-005065	C-CERAMIC,CHIP	1000nF,+80-20%,10V,Y5V,TP,1608	
C42	2203-000189	C-CERAMIC,CHIP	100nF,+80-20%,25V,Y5V,TP,1608,	
C420	2203-005065	C-CERAMIC,CHIP	1000nF,+80-20%,10V,Y5V,TP,1608	
C424	2203-000440	C-CERAMIC,CHIP	1nF,10%,50V,X7R,TP,1608,-	
C426	2203-000784	C-CERAMIC,CHIP	0.33NF,5%,50V,COG,TP,2012	
C427	2203-000236	C-CERAMIC,CHIP	0.1NF,5%,50V,COG,TP,1608	
C428	2203-000236	C-CERAMIC,CHIP	0.1NF,5%,50V,COG,TP,1608	
C43	2203-000972	C-CERAMIC,CHIP	47nF,10%,16V,X7R,TP,1608	
C430	2203-000280	C-CERAMIC,CHIP	0.01NF,0.5PF,50V,COG,TP,1608	
C431	2203-000998	C-CERAMIC,CHIP	0.047NF,5%,50V,COG,TP,1608	
C432	2203-000189	C-CERAMIC,CHIP	100nF,+80-20%,25V,Y5V,TP,1608,	
C433	2203-000189	C-CERAMIC,CHIP	100nF,+80-20%,25V,Y5V,TP,1608,	
C434	2203-000189	C-CERAMIC,CHIP	100nF,+80-20%,25V,Y5V,TP,1608,	
C437	2203-000189	C-CERAMIC,CHIP	100nF,+80-20%,25V,Y5V,TP,1608,	
C438	2203-000189	C-CERAMIC,CHIP	100nF,+80-20%,25V,Y5V,TP,1608,	
C439	2203-000257	C-CERAMIC,CHIP	10nF,10%,50V,X7R,TP,1608	
C44	2203-000972	C-CERAMIC,CHIP	47nF,10%,16V,X7R,TP,1608	
C441	2203-000257	C-CERAMIC,CHIP	10nF,10%,50V,X7R,TP,1608	
C442	2203-000257	C-CERAMIC,CHIP	10nF,10%,50V,X7R,TP,1608	
C443	2203-000552	C-CERAMIC,CHIP	0.02NF,5%,50V,COG,TP,1608	
C444	2203-000552	C-CERAMIC,CHIP	0.02NF,5%,50V,COG,TP,1608	
C445	2203-000626	C-CERAMIC,CHIP	0.022NF,5%,50V,COG,TP,1608	
C446	2203-000626	C-CERAMIC,CHIP	0.022NF,5%,50V,COG,TP,1608	
C4482	2203-000236	C-CERAMIC,CHIP	0.1NF,5%,50V,COG,TP,1608	
C449	2203-001656	C-CERAMIC,CHIP	0.47nF,5%,50V,NPO,TP,1608	

Loc. No.	Code No.	Description	Specification	Remarks
C45	2203-000189	C-CERAMIC,CHIP	100nF,+80-20%,25V,Y5V,TP,1608,	
C450	2203-000972	C-CERAMIC,CHIP	47nF,10%,16V,X7R,TP,1608	
C451	2203-000972	C-CERAMIC,CHIP	47nF,10%,16V,X7R,TP,1608	
C452	2203-000972	C-CERAMIC,CHIP	47nF,10%,16V,X7R,TP,1608	
C46	2203-000189	C-CERAMIC,CHIP	100nF,+80-20%,25V,Y5V,TP,1608,	
C47	2203-005065	C-CERAMIC,CHIP	1000nF,+80-20%,10V,Y5V,TP,1608	
C4728	2402-000176	C-AL,SMD	10uF,20%,16V,GP,TP,4.3x4.3x5.4	
C48	2203-005065	C-CERAMIC,CHIP	1000nF,+80-20%,10V,Y5V,TP,1608	
C4845	2203-000972	C-CERAMIC,CHIP	47nF,10%,16V,X7R,TP,1608	
C49	2203-005065	C-CERAMIC,CHIP	1000nF,+80-20%,10V,Y5V,TP,1608	
C51	2203-000140	C-CERAMIC,CHIP	1.5nF,10%,50V,X7R,TP,1608,-	
C510	2402-001042	C-AL,SMD	100uF,20%,16V,GP,TP,6.6x6.6x5.4mm	
C511	2402-001042	C-AL,SMD	100uF,20%,16V,GP,TP,6.6x6.6x5.4mm	
C512	2402-001042	C-AL,SMD	100uF,20%,16V,GP,TP,6.6x6.6x5.4mm	
C513	2402-001042	C-AL,SMD	100uF,20%,16V,GP,TP,6.6x6.6x5.4mm	
C514	2402-001042	C-AL,SMD	100uF,20%,16V,GP,TP,6.6x6.6x5.4mm	
C515	2402-001157	C-AL,SMD	0.33UF,20%,50V,GP,TP,4X5.2MM	
C516	2402-001157	C-AL,SMD	0.33UF,20%,50V,GP,TP,4X5.2MM	
C517	2402-001006	C-AL,SMD	4.7uF,20%,25V,GP,TP,3.6x6.3x3.	
C518	2402-001006	C-AL,SMD	4.7uF,20%,25V,GP,TP,3.6x6.3x3.	
C519	2402-001006	C-AL,SMD	4.7uF,20%,25V,GP,TP,3.6x6.3x3.	
C52	2203-000140	C-CERAMIC,CHIP	1.5nF,10%,50V,X7R,TP,1608,-	
C520	2402-001006	C-AL,SMD	4.7uF,20%,25V,GP,TP,3.6x6.3x3.	
C521	2402-000170	C-AL,SMD	1uF,20%,50V,GP,TP,4.3x4.3x5.4,	
C522	2203-001077	C-CERAMIC,CHIP	0.056nF,5%,50V,NPO,TP,2012	
C523	2203-001077	C-CERAMIC,CHIP	0.056nF,5%,50V,NPO,TP,2012	
C5239	2402-000176	C-AL,SMD	10uF,20%,16V,GP,TP,4.3x4.3x5.4	
C524	2203-001077	C-CERAMIC,CHIP	0.056nF,5%,50V,NPO,TP,2012	
C5244	2402-000144	C-AL,SMD	3.3uF,20%,50V,GP,TP,4.3x4.3x5.	
C5247	2402-001042	C-AL,SMD	100uF,20%,16V,GP,TP,6.6x6.6x5.4mm	
C525	2203-000903	C-CERAMIC,CHIP	0.0047NF,0.25PF,50V,COG,TP,1608	
C5251	2203-001077	C-CERAMIC,CHIP	0.056nF,5%,50V,NPO,TP,2012	
C5252	2203-001077	C-CERAMIC,CHIP	0.056nF,5%,50V,NPO,TP,2012	
C5253	2203-000236	C-CERAMIC,CHIP	0.1NF,5%,50V,COG,TP,1608	
C526	2203-000903	C-CERAMIC,CHIP	0.0047NF,0.25PF,50V,COG,TP,1608	
C527	2203-000189	C-CERAMIC,CHIP	100nF,+80-20%,25V,Y5V,TP,1608,	
C528	2203-000189	C-CERAMIC,CHIP	100nF,+80-20%,25V,Y5V,TP,1608,	
C529	2203-000189	C-CERAMIC,CHIP	100nF,+80-20%,25V,Y5V,TP,1608,	
C53	2203-000552	C-CERAMIC,CHIP	0.02NF,5%,50V,COG,TP,1608	
C530	2203-000189	C-CERAMIC,CHIP	100nF,+80-20%,25V,Y5V,TP,1608,	
C531	2203-000189	C-CERAMIC,CHIP	100nF,+80-20%,25V,Y5V,TP,1608,	
C532	2203-000189	C-CERAMIC,CHIP	100nF,+80-20%,25V,Y5V,TP,1608,	
C533	2203-000189	C-CERAMIC,CHIP	100nF,+80-20%,25V,Y5V,TP,1608,	
C534	2203-000189	C-CERAMIC,CHIP	100nF,+80-20%,25V,Y5V,TP,1608,	
C535	2203-000189	C-CERAMIC,CHIP	100nF,+80-20%,25V,Y5V,TP,1608,	
C536	2203-000189	C-CERAMIC,CHIP	100nF,+80-20%,25V,Y5V,TP,1608,	
C537	2203-000189	C-CERAMIC,CHIP	100nF,+80-20%,25V,Y5V,TP,1608,	
C538	2203-000189	C-CERAMIC,CHIP	100nF,+80-20%,25V,Y5V,TP,1608,	
C539	2203-000189	C-CERAMIC,CHIP	100nF,+80-20%,25V,Y5V,TP,1608,	
C54	2402-000176	C-AL,SMD	10uF,20%,16V,GP,TP,4.3x4.3x5.4	
C540	2203-000440	C-CERAMIC,CHIP	1nF,10%,50V,X7R,TP,1608,-	
C541	2203-000440	C-CERAMIC,CHIP	1nF,10%,50V,X7R,TP,1608,-	
C542	2203-000140	C-CERAMIC,CHIP	1.5nF,10%,50V,X7R,TP,1608,-	
C543	2203-000140	C-CERAMIC,CHIP	1.5nF,10%,50V,X7R,TP,1608,-	
C544	2203-000140	C-CERAMIC,CHIP	1.5nF,10%,50V,X7R,TP,1608,-	
C545	2203-000236	C-CERAMIC,CHIP	0.1NF,5%,50V,COG,TP,1608	
C546	2203-000236	C-CERAMIC,CHIP	0.1NF,5%,50V,COG,TP,1608	
C547	2203-000236	C-CERAMIC,CHIP	0.1NF,5%,50V,COG,TP,1608	
C548	2203-000236	C-CERAMIC,CHIP	0.1NF,5%,50V,COG,TP,1608	
C549	2203-000236	C-CERAMIC,CHIP	0.1NF,5%,50V,COG,TP,1608	
C55	2402-000176	C-AL,SMD	10uF,20%,16V,GP,TP,4.3x4.3x5.4	
C550	2203-000236	C-CERAMIC,CHIP	0.1NF,5%,50V,COG,TP,1608	
C551	2402-001157	C-AL,SMD	0.33UF,20%,50V,GP,TP,4X5.2MM	
C552	2402-001157	C-AL,SMD	0.33UF,20%,50V,GP,TP,4X5.2MM	
C553	2203-001656	C-CERAMIC,CHIP	0.47nF,5%,50V,NPO,TP,1608	
C554	2203-001656	C-CERAMIC,CHIP	0.47nF,5%,50V,NPO,TP,1608	

7 Electrical Parts List

Loc. No.	Code No.	Description	Specification	Remarks
C555	2203-001656	C-CERAMIC,CHIP	0.47nF,5%,50V,NP0,TP,1608	
C556	2203-005015	C-CERAMIC,CHIP	150nF,+80-20%,16V,Y5V,TP,1608	
C557	2203-005015	C-CERAMIC,CHIP	150nF,+80-20%,16V,Y5V,TP,1608	
C558	2203-005015	C-CERAMIC,CHIP	150nF,+80-20%,16V,Y5V,TP,1608	
C559	2203-005015	C-CERAMIC,CHIP	150nF,+80-20%,16V,Y5V,TP,1608	
C56	2402-000176	C-AL,SMD	10uF,20%,16V,GP,TP,4.3x4.3x5.4	
C560	2203-005015	C-CERAMIC,CHIP	150nF,+80-20%,16V,Y5V,TP,1608	
C561	2203-005015	C-CERAMIC,CHIP	150nF,+80-20%,16V,Y5V,TP,1608	
C562	2203-005015	C-CERAMIC,CHIP	150nF,+80-20%,16V,Y5V,TP,1608	
C563	2203-005015	C-CERAMIC,CHIP	150nF,+80-20%,16V,Y5V,TP,1608	
C564	2203-005015	C-CERAMIC,CHIP	150nF,+80-20%,16V,Y5V,TP,1608	
C565	2203-005015	C-CERAMIC,CHIP	150nF,+80-20%,16V,Y5V,TP,1608	
C566	2203-005015	C-CERAMIC,CHIP	150nF,+80-20%,16V,Y5V,TP,1608	
C567	2203-005015	C-CERAMIC,CHIP	150nF,+80-20%,16V,Y5V,TP,1608	
C568	2203-005015	C-CERAMIC,CHIP	150nF,+80-20%,16V,Y5V,TP,1608	
C569	2203-005015	C-CERAMIC,CHIP	150nF,+80-20%,16V,Y5V,TP,1608	
C57	2402-000176	C-AL,SMD	10uF,20%,16V,GP,TP,4.3x4.3x5.4	
C570	2203-001607	C-CERAMIC,CHIP	0.22nF,5%,50V,NP0,TP,1608	
C571	2203-000701	C-CERAMIC,CHIP	0.002NF,0.25PF,50V,COG,TP,2012	
C572	2203-000701	C-CERAMIC,CHIP	0.002NF,0.25PF,50V,COG,TP,2012	
C573	2203-000972	C-CERAMIC,CHIP	47nF,10%,16V,X7R,TP,1608	
C574	2203-000715	C-CERAMIC,CHIP	3.3nF,10%,50V,X7R,TP,1608,-	
C575	2203-000715	C-CERAMIC,CHIP	3.3nF,10%,50V,X7R,TP,1608,-	
C576	2203-002793	C-CERAMIC,CHIP	1000nF,+80-20%,25V,Y5V,TP,2012	
C58	2402-001042	C-AL,SMD	100uF,20%,16V,GP,TP,6.6x6.6x5.4mm	
C59	2402-001042	C-AL,SMD	100uF,20%,16V,GP,TP,6.6x6.6x5.4mm	
C61	2402-000176	C-AL,SMD	10uF,20%,16V,GP,TP,4.3x4.3x5.4	
C611	2203-000189	C-CERAMIC,CHIP	100nF,+80-20%,25V,Y5V,TP,1608,	
C612	2203-000189	C-CERAMIC,CHIP	100nF,+80-20%,25V,Y5V,TP,1608,	
C613	2203-000189	C-CERAMIC,CHIP	100nF,+80-20%,25V,Y5V,TP,1608,	
C614	2203-000189	C-CERAMIC,CHIP	100nF,+80-20%,25V,Y5V,TP,1608,	
C615	2203-000189	C-CERAMIC,CHIP	100nF,+80-20%,25V,Y5V,TP,1608,	
C616	2203-000189	C-CERAMIC,CHIP	100nF,+80-20%,25V,Y5V,TP,1608,	
C617	2203-000189	C-CERAMIC,CHIP	100nF,+80-20%,25V,Y5V,TP,1608,	
C618	2203-000189	C-CERAMIC,CHIP	100nF,+80-20%,25V,Y5V,TP,1608,	
C619	2203-000189	C-CERAMIC,CHIP	100nF,+80-20%,25V,Y5V,TP,1608,	
C62	2402-000176	C-AL,SMD	10uF,20%,16V,GP,TP,4.3x4.3x5.4	
C620	2203-000189	C-CERAMIC,CHIP	100nF,+80-20%,25V,Y5V,TP,1608,	
C621	2203-000189	C-CERAMIC,CHIP	100nF,+80-20%,25V,Y5V,TP,1608,	
C622	2203-000189	C-CERAMIC,CHIP	100nF,+80-20%,25V,Y5V,TP,1608,	
C63	2402-000176	C-AL,SMD	10uF,20%,16V,GP,TP,4.3x4.3x5.4	
C635	2203-000440	C-CERAMIC,CHIP	1nF,10%,50V,X7R,TP,1608,-	
C637	2203-000440	C-CERAMIC,CHIP	1nF,10%,50V,X7R,TP,1608,-	
C638	2203-000440	C-CERAMIC,CHIP	1nF,10%,50V,X7R,TP,1608,-	
C639	2203-000440	C-CERAMIC,CHIP	1nF,10%,50V,X7R,TP,1608,-	
C640	2203-000440	C-CERAMIC,CHIP	1nF,10%,50V,X7R,TP,1608,-	
C65	2402-000135	C-AL,SMD	22uF,20%,16V,GP,TP,5.3x5.3x5.4	
C67	2203-000189	C-CERAMIC,CHIP	100nF,+80-20%,25V,Y5V,TP,1608,	
C68	2203-000189	C-CERAMIC,CHIP	100nF,+80-20%,25V,Y5V,TP,1608,	
C777	2402-001006	C-AL,SMD	4.7uF,20%,25V,GP,TP,3.6x6.3x3.	
C782	2402-001006	C-AL,SMD	4.7uF,20%,25V,GP,TP,3.6x6.3x3.	
CA311	2503-001018	C-NETWORK	15PFX4,10%,50V,-	
CA312	2503-001018	C-NETWORK	15PFX4,10%,50V,-	
CA313	2503-001018	C-NETWORK	15PFX4,10%,50V,-	
CA314	2503-001018	C-NETWORK	15PFX4,10%,50V,-	
CA315	2503-001018	C-NETWORK	15PFX4,10%,50V,-	
CA330	2503-001018	C-NETWORK	15PFX4,10%,50V,-	
CIS	0202-001162	SOLDER-CREAM	RMA-20-21L,S63,-,SN63/PB36.6/AGO.4,FLUX9.5%	SNA
CN13	3711-002046	CONNECTOR-HEADER	BOX,12P,1R,1.25MM,SMD-S,SN,WHT	SNA
CN21	3711-002127	CONNECTOR-HEADER	BOX,8P,1R,1.25mm,SMD-A,SN	SNA
CN22	3711-002049	CONNECTOR-HEADER	BOX,6P,1R,1.25mm,SMD-A,SN	SNA
CN26	3711-000556	CONNECTOR-HEADER	BOX,12P,1R,1.25mm,SMD-A,SN	SNA
CN61	3711-003161	CONNECTOR-HEADER	BOX,20P,1R,1.25MM,SMD-A,SN,BEG	SNA
D11	0402-000553	DIODE-RECTIFIER	SS24,40V,2.0A,DO-214AA	
D12	0402-000553	DIODE-RECTIFIER	SS24,40V,2.0A,DO-214AA	

Loc. No.	Code No.	Description	Specification	Remarks
D14	0403-000579	DIODE-ZENER	BZX84C5V1,5.1V,5%,200mW,SOT-23	
D15	0401-001056	DIODE-SWITCHING	MMBD4148SE,75V,200MA,SOT-23,TP	
D16	0401-001056	DIODE-SWITCHING	MMBD4148SE,75V,200MA,SOT-23,TP	
D17	0401-001056	DIODE-SWITCHING	MMBD4148SE,75V,200MA,SOT-23,TP	
D18	0403-001435	DIODE-ZENER	OZX363C5V6,5.32-5.88,200MW,SOT-363,TP	
D21	0403-001052	DIODE-ZENER	RD8.2MB,8.2V,7.7-8.64V,200mW,S	
D210	0403-000579	DIODE-ZENER	BZX84C5V1,5.1V,5%,200mW,SOT-23	
D211	0403-000579	DIODE-ZENER	BZX84C5V1,5.1V,5%,200mW,SOT-23	
D22	0403-001052	DIODE-ZENER	RD8.2MB,8.2V,7.7-8.64V,200mW,S	
D220	0403-001052	DIODE-ZENER	RD8.2MB,8.2V,7.7-8.64V,200mW,S	
D23	0403-001052	DIODE-ZENER	RD8.2MB,8.2V,7.7-8.64V,200mW,S	
D237	0403-001052	DIODE-ZENER	RD8.2MB,8.2V,7.7-8.64V,200mW,S	
D238	0403-001435	DIODE-ZENER	OZX363C5V6,5.32-5.88,200MW,SOT-363,TP	
D239	0403-001052	DIODE-ZENER	RD8.2MB,8.2V,7.7-8.64V,200mW,S	
D29	0403-000579	DIODE-ZENER	BZX84C5V1,5.1V,5%,200mW,SOT-23	
D41	0401-001056	DIODE-SWITCHING	MMBD4148SE,75V,200MA,SOT-23,TP	
D43	0403-001382	DIODE-ZENER	UDZ33B,32.15-33.79V,200mW,SOD-323,TP	
D55	0403-001052	DIODE-ZENER	RD8.2MB,8.2V,7.7-8.64V,200mW,S	
DB21	3301-001163	CORE-FERRITE BEAD	AB,80ohm,2x1.25x1mm,300mA,TP,FERRITE,0.08ohm	
FT11	3301-001145	CORE-FERRITE BEAD	AB,4.5x1.6x1.6mm,-,-	SNA
FT12	3301-001145	CORE-FERRITE BEAD	AB,4.5x1.6x1.6mm,-,-	SNA
FT13	3301-001145	CORE-FERRITE BEAD	AB,4.5x1.6x1.6mm,-,-	SNA
FT14	3301-001145	CORE-FERRITE BEAD	AB,4.5x1.6x1.6mm,-,-	SNA
FT31	2901-001133	FILTER-EMI SMD	25V,0.15A,-,33pF,2x1.25x0.8mm,TP	
FT32	3301-001145	CORE-FERRITE BEAD	AB,4.5x1.6x1.6mm,-,-	SNA
FT51	3301-001145	CORE-FERRITE BEAD	AB,4.5x1.6x1.6mm,-,-	SNA
FT52	3301-001145	CORE-FERRITE BEAD	AB,4.5x1.6x1.6mm,-,-	SNA
FT61	3301-001145	CORE-FERRITE BEAD	AB,4.5x1.6x1.6mm,-,-	SNA
FT62	3301-001145	CORE-FERRITE BEAD	AB,4.5x1.6x1.6mm,-,-	SNA
FT63	3301-001145	CORE-FERRITE BEAD	AB,4.5x1.6x1.6mm,-,-	SNA
FT64	3301-001145	CORE-FERRITE BEAD	AB,4.5x1.6x1.6mm,-,-	SNA
IC109	1203-002410	IC-POSI.ADJUST REG.	KA317MR,D-PAK,3P,240MIL,PLASTIC,40V,-,OTO+125C,0.5A,1.2/1.3V,TP	
IC11	1203-001448	IC-SWITCH VOL. REG.	2596,TO-263,5P,-,PLASTIC,4,750	
IC110	0803-000117	IC-TTL	74F14,INVERTER,SOP,14P,150MIL,	
IC111	0505-001170	FET-SILICON	SI9933ADY-T1 P,-,20V,3.4A,0.06ohm,2W,SO-8	
IC112	0505-001170	FET-SILICON	SI9933ADY-T1 P,-,20V,3.4A,0.06ohm,2W,SO-8	
IC13	1203-002454	IC-VOLTAGE REGULATOR	FAN1117A,TO-252,3P,257MIL,PLASTIC,1.764V/1.836V,-,OTO+125C,1A,1.225/1.275V,TP	
IC14	1203-001293	IC-POSI.FIXED REG.	033,TO-252,3P,6.5MIL,PLASTIC,3	
IC16	1203-001447	IC-POSI.FIXED REG.	2596,TO-263,5P,-,PLASTIC,3,135	
IC17	1203-001465	IC-POSI.ADJUST REG.	317,TO-263,3P,-,PLASTIC,1.2/37	
IC18	1103-000138	IC-EEPROM	24C16,2Kx8BIT,SOP,8P,150MIL,10	
IC19	1103-001164	IC-EEPROM	24LC21A,128x8BIT,SOP,8P,150MIL,-,5V,10%,PLASTIC,0 TO +70C,100UA,CMOS,TP	
IC21	1203-001109	IC-VOL. DETECTOR	7045,SOT-89,3P,-,PLASTIC,4,3/4	
IC22 SOCK	3704-000250	SOCKET-IC	32P,PLCC,SN,-	
IC23	0903-001202	IC-MICROCONTROLLER	80251G2,8Bit,PLCC,44P,653MIL,24MHz,TR,CMOS,PLASTIC,5V,1.5W,0to+70C,1KBYTE,-,24Bi	SNA
IC24	0803-000117	IC-TTL	74F14,INVERTER,SOP,14P,150MIL,	
IC25	0801-002268	IC-CMOS LOGIC	74VHC139,DECODER,SOIC,16P,150MIL,DUAL,TP,PLASTIC,TRI-STATE,-,0.36V,-40TO+85C,180	
IC26	0801-000411	IC-CMOS LOGIC	74HC32,OR GATE,SOP,14P,150MIL,QUAD,TP,PLASTIC,-,0.26V,-40TO+85C,180MW,4.2V,1UA	
IC27	0801-000411	IC-CMOS LOGIC	74HC32,OR GATE,SOP,14P,150MIL,QUAD,TP,PLASTIC,-,0.26V,-40TO+85C,180MW,4.2V,1UA	
IC28	0802-001108	IC-BICMOS LOGIC	74ABT573,LATCH,TSSOP,20P,173MIL,8,TR,PLASTIC,3-STATE,-,0.55V,-65TO+150C,-,0.8V,5	
IC31	1204-001551	IC-VIDEO SYSTEM	GS1881,SOIC,8P,150MIL,PLASTIC,13.2V,-,OTO+70C,TP,VIDEO SYNC SEPARATOR	
IC32	1205-002028	IC-LCD CONTROLLER	JAGASM,BGA,388P,208MIL,PLASTIC,3.45V,2.5V,-,40TO+125C,TR,DIGITAL DISPLAY PRO	
IC401	1204-001997	IC-DECODER	VSP9415B-B11,MCFP,80P,14X14MM,PLASTIC,3.47V,1.1W,OTO+70C,TR,OPTIMUS	
IC41	1103-001023	IC-EEPROM	524C80D81,1028x8BIT,SOP,8P,150MIL,10mS,5V,10%,PLASTIC,0to+70C,110uA,CMOS,TP	
IC51	1201-001495	IC-AUDIO AMP	7050,SOP,8P,150MIL,DUAL,26DB,PLASTIC,6V,0.25W,-,40DB,-,20NA,-	
IC52	1203-001816	IC-POSI.FIXED REG.	78M08,TO-252,3P,-,PLASTIC,7.7/8.3V,1.0W,-,40TO+85C,0.5A,-,TP	
IC53	1204-002048	IC-SOUND PROCESSOR	MSP3411G-QA-B8V3,PQFP,80P,20X14MM,PLASTIC,8.7V,1W,OTO+70C,TR,-	
IC54	1203-001779	IC-POSI.FIXED REG.	7812,D2PAK,3P,-,PLASTIC,11.5/12.5V,-,40TO+125CC,1A,-,TP	
IC55	1201-001681	IC-AUDIO AMP	1101,SOP,30P,433MIL,-,PLASTIC,13.2V,-,0to+70C,-,-,-,-,TP	
IC62	1205-001740	IC-TRANSMITTER	DS90C385,TSSOP,56P,240MIL,PLASTIC,4V,1.63W,-,10 TO +70C,ST,FPD LINK-85MHZ(LVDS)	
IC64	1105-001391	IC-DRAM	EM638325,2MX32BIT,TSOP(I)I,86P,400MIL,60NS,3.3V,10%,PLASTIC,OTO+70C,3MA,-,TR	
L11	3301-001145	CORE-FERRITE BEAD	AB,4.5x1.6x1.6mm,-,-	SNA
L111	BN27-00002A	COIL-CHOKE(SMD)	47uH,47uH,20%,12*12*8mm,22.5Ts,SMD,-,-,0.75ohm,-,-,-,TP	
L113	2703-001334	INDUCTOR-SMD	1.5uH,10%,2x1.25x0.85mm	
L114	2703-001334	INDUCTOR-SMD	1.5uH,10%,2x1.25x0.85mm	

Loc. No.	Code No.	Description	Specification	Remarks
L115	2703-001334	INDUCTOR-SMD	1.5uH,10%,2x1.25x0.85mm	
L116	BN27-20001A	COIL-CHOKE	- 53.0UH,20%,DR10*5,-,-,-,0.18ohm,-,-,-,TRAY	
L117	2703-001778	INDUCTOR-SMD	3.3UH,20%,3.2X2.5X2.2MM	
L118	2703-001778	INDUCTOR-SMD	3.3UH,20%,3.2X2.5X2.2MM	
L12	3301-001145	CORE-FERRITE BEAD	AB,4.5x1.6x1.6mm,-,-	SNA
L13	3301-001145	CORE-FERRITE BEAD	AB,4.5x1.6x1.6mm,-,-	SNA
L14	3301-001145	CORE-FERRITE BEAD	AB,4.5x1.6x1.6mm,-,-	SNA
L15	3301-001145	CORE-FERRITE BEAD	AB,4.5x1.6x1.6mm,-,-	SNA
L19	3301-001145	CORE-FERRITE BEAD	AB,4.5x1.6x1.6mm,-,-	SNA
L31	2703-001778	INDUCTOR-SMD	3.3UH,20%,3.2X2.5X2.2MM	
L32	2703-001778	INDUCTOR-SMD	3.3UH,20%,3.2X2.5X2.2MM	
L41	2703-001778	INDUCTOR-SMD	3.3UH,20%,3.2X2.5X2.2MM	
L42	2703-001778	INDUCTOR-SMD	3.3UH,20%,3.2X2.5X2.2MM	
L51	2703-001778	INDUCTOR-SMD	3.3UH,20%,3.2X2.5X2.2MM	
L52	2703-001778	INDUCTOR-SMD	3.3UH,20%,3.2X2.5X2.2MM	
L53	BN27-00007A	COIL CHOKE-SMD	DH80504-100,RB15/17NS,10UH,±10%,-0.080HM,1.5A,DR5.8X4.5,20.5TS,6.0X5.2X4.5MM,-	
L54	BN27-00007A	COIL CHOKE-SMD	DH80504-100,RB15/17NS,10UH,±10%,-0.080HM,1.5A,DR5.8X4.5,20.5TS,6.0X5.2X4.5MM,-	
L55	BN27-00007A	COIL CHOKE-SMD	DH80504-100,RB15/17NS,10UH,±10%,-0.080HM,1.5A,DR5.8X4.5,20.5TS,6.0X5.2X4.5MM,-	
L56	BN27-00007A	COIL CHOKE-SMD	DH80504-100,RB15/17NS,10UH,±10%,-0.080HM,1.5A,DR5.8X4.5,20.5TS,6.0X5.2X4.5MM,-	
MP1.0	BN41-00222A	PCB MAIN	ES15SO,FR4,6L,228X157X1.6,EOS	SNA
Q11	0501-002080	TR-SMALL SIGNAL	2SC2412K,NPN,200mW,SC-59,TP,120-270	
Q13	0501-002080	TR-SMALL SIGNAL	2SC2412K,NPN,200mW,SC-59,TP,120-270	
Q14	0501-002080	TR-SMALL SIGNAL	2SC2412K,NPN,200mW,SC-59,TP,120-270	
Q15	0501-002080	TR-SMALL SIGNAL	2SC2412K,NPN,200mW,SC-59,TP,120-270	
Q16	0501-002080	TR-SMALL SIGNAL	2SC2412K,NPN,200mW,SC-59,TP,120-270	
Q21	0501-002080	TR-SMALL SIGNAL	2SC2412K,NPN,200mW,SC-59,TP,120-270	
Q22	0501-002080	TR-SMALL SIGNAL	2SC2412K,NPN,200mW,SC-59,TP,120-270	
Q23	0501-002080	TR-SMALL SIGNAL	2SC2412K,NPN,200mW,SC-59,TP,120-270	
Q24	0501-002080	TR-SMALL SIGNAL	2SC2412K,NPN,200mW,SC-59,TP,120-270	
Q403	0501-002080	TR-SMALL SIGNAL	2SC2412K,NPN,200mW,SC-59,TP,120-270	
Q41	0501-002080	TR-SMALL SIGNAL	2SC2412K,NPN,200mW,SC-59,TP,120-270	
Q42	0501-002080	TR-SMALL SIGNAL	2SC2412K,NPN,200mW,SC-59,TP,120-270	
Q43	0501-002080	TR-SMALL SIGNAL	2SC2412K,NPN,200mW,SC-59,TP,120-270	
Q44	0501-002080	TR-SMALL SIGNAL	2SC2412K,NPN,200mW,SC-59,TP,120-270	
R1005	2007-000078	R-CHIP	1Kohm,5%,1/10W,TP,1608	
R1006	2007-000074	R-CHIP	100ohm,5%,1/10W,TP,1608	
R1007	2007-000070	R-CHIP	0ohm,5%,1/10W,TP,1608	
R1008	2007-000074	R-CHIP	100ohm,5%,1/10W,TP,1608	
R1009	2007-000070	R-CHIP	0ohm,5%,1/10W,TP,1608	
R1010	2007-000070	R-CHIP	0ohm,5%,1/10W,TP,1608	
R1011	2007-000070	R-CHIP	0ohm,5%,1/10W,TP,1608	
R1012	2007-000070	R-CHIP	0ohm,5%,1/10W,TP,1608	
R1013	2007-000070	R-CHIP	0ohm,5%,1/10W,TP,1608	
R1014	2007-000074	R-CHIP	100ohm,5%,1/10W,TP,1608	
R1015	2007-000074	R-CHIP	100ohm,5%,1/10W,TP,1608	
R1016	2007-000074	R-CHIP	100ohm,5%,1/10W,TP,1608	
R1017	2007-000132	R-CHIP	180Kohm,5%,1/10W,TP,1608	
R1018	2007-000132	R-CHIP	180Kohm,5%,1/10W,TP,1608	
R1019	2007-000132	R-CHIP	180Kohm,5%,1/10W,TP,1608	
R1020	2007-000402	R-CHIP	150ohm,5%,1/10W,TP,1608	
R1021	2007-000402	R-CHIP	150ohm,5%,1/10W,TP,1608	
R1022	2007-000402	R-CHIP	150ohm,5%,1/10W,TP,1608	
R1023	2007-000125	R-CHIP	3.9Kohm,5%,1/10W,TP,1608	
R11	2007-000078	R-CHIP	1Kohm,5%,1/10W,TP,1608	
R110	2007-000072	R-CHIP	47ohm,5%,1/10W,TP,1608	
R111	2007-000072	R-CHIP	47ohm,5%,1/10W,TP,1608	
R112	2007-000072	R-CHIP	47ohm,5%,1/10W,TP,1608	
R113	2007-000132	R-CHIP	180Kohm,5%,1/10W,TP,1608	
R114	2007-000132	R-CHIP	180Kohm,5%,1/10W,TP,1608	
R115	2007-000132	R-CHIP	180Kohm,5%,1/10W,TP,1608	
R116	2007-000092	R-CHIP	15Kohm,5%,1/10W,TP,1608	
R117	2007-000092	R-CHIP	15Kohm,5%,1/10W,TP,1608	
R118	2007-000070	R-CHIP	0ohm,5%,1/10W,TP,1608	
R119	2007-000070	R-CHIP	0ohm,5%,1/10W,TP,1608	
R120	2007-000070	R-CHIP	0ohm,5%,1/10W,TP,1608	

Loc. No.	Code No.	Description	Specification	Remarks
R121	2007-000074	R-CHIP	100ohm,5%,1/10W,TP,1608	
R122	2007-000074	R-CHIP	100ohm,5%,1/10W,TP,1608	
R123	2007-000074	R-CHIP	100ohm,5%,1/10W,TP,1608	
R124	2007-000074	R-CHIP	100ohm,5%,1/10W,TP,1608	
R125	2007-000074	R-CHIP	100ohm,5%,1/10W,TP,1608	
R126	2007-000074	R-CHIP	100ohm,5%,1/10W,TP,1608	
R127	2007-000074	R-CHIP	100ohm,5%,1/10W,TP,1608	
R128	2007-000074	R-CHIP	100ohm,5%,1/10W,TP,1608	
R13	2007-000124	R-CHIP	2.2Kohm,5%,1/10W,TP,1608	
R130	2007-000074	R-CHIP	100ohm,5%,1/10W,TP,1608	
R131	2007-000074	R-CHIP	100ohm,5%,1/10W,TP,1608	
R132	2007-000084	R-CHIP	4.7Kohm,5%,1/10W,TP,1608	
R133	2007-000084	R-CHIP	4.7Kohm,5%,1/10W,TP,1608	
R135	2007-000084	R-CHIP	4.7Kohm,5%,1/10W,TP,1608	
R137	2007-000084	R-CHIP	4.7Kohm,5%,1/10W,TP,1608	
R138	2007-000084	R-CHIP	4.7Kohm,5%,1/10W,TP,1608	
R139	2007-000090	R-CHIP	10Kohm,5%,1/10W,TP,1608	
R140	2007-000090	R-CHIP	10Kohm,5%,1/10W,TP,1608	
R141	2007-000090	R-CHIP	10Kohm,5%,1/10W,TP,1608	
R142	2007-000090	R-CHIP	10Kohm,5%,1/10W,TP,1608	
R143	2007-000071	R-CHIP	22ohm,5%,1/10W,TP,1608	
R1431	2007-000070	R-CHIP	0ohm,5%,1/10W,TP,1608	
R144	2007-001167	R-CHIP	75ohm,5%,1/10W,TP,1608	
R145	2007-001167	R-CHIP	75ohm,5%,1/10W,TP,1608	
R146	2007-001167	R-CHIP	75ohm,5%,1/10W,TP,1608	
R147	2007-001167	R-CHIP	75ohm,5%,1/10W,TP,1608	
R148	2007-000102	R-CHIP	100Kohm,5%,1/10W,TP,1608	
R149	2007-000102	R-CHIP	100Kohm,5%,1/10W,TP,1608	
R15	2007-000077	R-CHIP	470ohm,5%,1/10W,TP,1608	
R150	2007-000102	R-CHIP	100Kohm,5%,1/10W,TP,1608	
R151	2007-000102	R-CHIP	100Kohm,5%,1/10W,TP,1608	
R16	2007-000077	R-CHIP	470ohm,5%,1/10W,TP,1608	
R17	2007-000077	R-CHIP	470ohm,5%,1/10W,TP,1608	
R18	2007-000077	R-CHIP	470ohm,5%,1/10W,TP,1608	
R19	2007-000070	R-CHIP	0ohm,5%,1/10W,TP,1608	
R21	2007-000078	R-CHIP	1Kohm,5%,1/10W,TP,1608	
R210	2007-000077	R-CHIP	470ohm,5%,1/10W,TP,1608	
R211	2007-000077	R-CHIP	470ohm,5%,1/10W,TP,1608	
R212	2007-000077	R-CHIP	470ohm,5%,1/10W,TP,1608	
R213	2007-000098	R-CHIP	56Kohm,5%,1/10W,TP,1608	
R214	2007-000098	R-CHIP	56Kohm,5%,1/10W,TP,1608	
R215	2007-000070	R-CHIP	0ohm,5%,1/10W,TP,1608	
R216	2007-000070	R-CHIP	0ohm,5%,1/10W,TP,1608	
R217	2007-000070	R-CHIP	0ohm,5%,1/10W,TP,1608	
R218	2007-000070	R-CHIP	0ohm,5%,1/10W,TP,1608	
R219	2007-000075	R-CHIP	220ohm,5%,1/10W,TP,1608	
R22	2007-000078	R-CHIP	1Kohm,5%,1/10W,TP,1608	
R220	2007-000074	R-CHIP	100ohm,5%,1/10W,TP,1608	
R221	2007-000074	R-CHIP	100ohm,5%,1/10W,TP,1608	
R222	2007-000074	R-CHIP	100ohm,5%,1/10W,TP,1608	
R223	2007-000074	R-CHIP	100ohm,5%,1/10W,TP,1608	
R224	2007-000074	R-CHIP	100ohm,5%,1/10W,TP,1608	
R225	2007-000074	R-CHIP	100ohm,5%,1/10W,TP,1608	
R226	2007-000074	R-CHIP	100ohm,5%,1/10W,TP,1608	
R227	2007-000074	R-CHIP	100ohm,5%,1/10W,TP,1608	
R228	2007-000074	R-CHIP	100ohm,5%,1/10W,TP,1608	
R229	2007-000074	R-CHIP	100ohm,5%,1/10W,TP,1608	
R23	2007-000078	R-CHIP	1Kohm,5%,1/10W,TP,1608	
R230	2007-000074	R-CHIP	100ohm,5%,1/10W,TP,1608	
R234	2007-000074	R-CHIP	100ohm,5%,1/10W,TP,1608	
R235	2007-000074	R-CHIP	100ohm,5%,1/10W,TP,1608	
R236	2007-000074	R-CHIP	100ohm,5%,1/10W,TP,1608	
R237	2007-000071	R-CHIP	22ohm,5%,1/10W,TP,1608	
R238	2007-000071	R-CHIP	22ohm,5%,1/10W,TP,1608	
R239	2007-000084	R-CHIP	4.7Kohm,5%,1/10W,TP,1608	

7 Electrical Parts List

Loc. No.	Code No.	Description	Specification	Remarks
R24	2007-000078	R-CHIP	1Kohm,5%,1/10W,TP,1608	
R240	2007-000084	R-CHIP	4.7Kohm,5%,1/10W,TP,1608	
R241	2007-000084	R-CHIP	4.7Kohm,5%,1/10W,TP,1608	
R242	2007-000084	R-CHIP	4.7Kohm,5%,1/10W,TP,1608	
R243	2007-000084	R-CHIP	4.7Kohm,5%,1/10W,TP,1608	
R244	2007-000084	R-CHIP	4.7Kohm,5%,1/10W,TP,1608	
R245	2007-000084	R-CHIP	4.7Kohm,5%,1/10W,TP,1608	
R246	2007-000084	R-CHIP	4.7Kohm,5%,1/10W,TP,1608	
R247	2007-000084	R-CHIP	4.7Kohm,5%,1/10W,TP,1608	
R248	2007-000084	R-CHIP	4.7Kohm,5%,1/10W,TP,1608	
R249	2007-000084	R-CHIP	4.7Kohm,5%,1/10W,TP,1608	
R25	2007-000078	R-CHIP	1Kohm,5%,1/10W,TP,1608	
R250	2007-000084	R-CHIP	4.7Kohm,5%,1/10W,TP,1608	
R251	2007-000084	R-CHIP	4.7Kohm,5%,1/10W,TP,1608	
R252	2007-000084	R-CHIP	4.7Kohm,5%,1/10W,TP,1608	
R253	2007-000084	R-CHIP	4.7Kohm,5%,1/10W,TP,1608	
R254	2007-000084	R-CHIP	4.7Kohm,5%,1/10W,TP,1608	
R255	2007-000090	R-CHIP	10Kohm,5%,1/10W,TP,1608	
R2550	2007-000074	R-CHIP	100ohm,5%,1/10W,TP,1608	
R2551	2007-000074	R-CHIP	100ohm,5%,1/10W,TP,1608	
R2552	2007-000075	R-CHIP	220ohm,5%,1/10W,TP,1608	
R2553	2007-000075	R-CHIP	220ohm,5%,1/10W,TP,1608	
R2554	2007-000075	R-CHIP	220ohm,5%,1/10W,TP,1608	
R2555	2007-000075	R-CHIP	220ohm,5%,1/10W,TP,1608	
R2556	2007-000070	R-CHIP	0ohm,5%,1/10W,TP,1608	
R2557	2007-000070	R-CHIP	0ohm,5%,1/10W,TP,1608	
R2558	2007-000070	R-CHIP	0ohm,5%,1/10W,TP,1608	
R256	2007-000090	R-CHIP	10Kohm,5%,1/10W,TP,1608	
R257	2007-000090	R-CHIP	10Kohm,5%,1/10W,TP,1608	
R2570	2007-000070	R-CHIP	0ohm,5%,1/10W,TP,1608	
R258	2007-000090	R-CHIP	10Kohm,5%,1/10W,TP,1608	
R2584	2007-000070	R-CHIP	0ohm,5%,1/10W,TP,1608	
R26	2007-000078	R-CHIP	1Kohm,5%,1/10W,TP,1608	
R2635	2007-000084	R-CHIP	4.7Kohm,5%,1/10W,TP,1608	
R27	2007-000078	R-CHIP	1Kohm,5%,1/10W,TP,1608	
R28	2007-000078	R-CHIP	1Kohm,5%,1/10W,TP,1608	
R29	2007-000077	R-CHIP	470ohm,5%,1/10W,TP,1608	
R31	2007-000078	R-CHIP	1Kohm,5%,1/10W,TP,1608	
R310	2007-000070	R-CHIP	0ohm,5%,1/10W,TP,1608	
R311	2007-000070	R-CHIP	0ohm,5%,1/10W,TP,1608	
R312	2007-000070	R-CHIP	0ohm,5%,1/10W,TP,1608	
R313	2007-000070	R-CHIP	0ohm,5%,1/10W,TP,1608	
R314	2007-000070	R-CHIP	0ohm,5%,1/10W,TP,1608	
R315	2007-000070	R-CHIP	0ohm,5%,1/10W,TP,1608	
R32	2007-000078	R-CHIP	1Kohm,5%,1/10W,TP,1608	
R320	2007-007985	R-CHIP	620Kohm,1%,1/10W,TP,1608	
R321	2007-000309	R-CHIP	10ohm,5%,1/10W,TP,1608	
R322	2007-000309	R-CHIP	10ohm,5%,1/10W,TP,1608	
R323	2007-000309	R-CHIP	10ohm,5%,1/10W,TP,1608	
R324	2007-000309	R-CHIP	10ohm,5%,1/10W,TP,1608	
R325	2007-000309	R-CHIP	10ohm,5%,1/10W,TP,1608	
R326	2007-000309	R-CHIP	10ohm,5%,1/10W,TP,1608	
R327	2007-000074	R-CHIP	100ohm,5%,1/10W,TP,1608	
R328	2007-000074	R-CHIP	100ohm,5%,1/10W,TP,1608	
R329	2007-000074	R-CHIP	100ohm,5%,1/10W,TP,1608	
R33	2007-000070	R-CHIP	0ohm,5%,1/10W,TP,1608	
R330	2007-000074	R-CHIP	100ohm,5%,1/10W,TP,1608	
R331	2007-000074	R-CHIP	100ohm,5%,1/10W,TP,1608	
R332	2007-000074	R-CHIP	100ohm,5%,1/10W,TP,1608	
R333	2007-000074	R-CHIP	100ohm,5%,1/10W,TP,1608	
R334	2007-000074	R-CHIP	100ohm,5%,1/10W,TP,1608	
R335	2007-000074	R-CHIP	100ohm,5%,1/10W,TP,1608	
R336	2007-000074	R-CHIP	100ohm,5%,1/10W,TP,1608	
R337	2007-000074	R-CHIP	100ohm,5%,1/10W,TP,1608	
R338	2007-000074	R-CHIP	100ohm,5%,1/10W,TP,1608	

Loc. No.	Code No.	Description	Specification	Remarks
R339	2007-000074	R-CHIP	100ohm,5%,1/10W,TP,1608	
R34	2007-000070	R-CHIP	0ohm,5%,1/10W,TP,1608	
R340	2007-000074	R-CHIP	100ohm,5%,1/10W,TP,1608	
R341	2007-000074	R-CHIP	100ohm,5%,1/10W,TP,1608	
R342	2007-000074	R-CHIP	100ohm,5%,1/10W,TP,1608	
R343	2007-000074	R-CHIP	100ohm,5%,1/10W,TP,1608	
R344	2007-000074	R-CHIP	100ohm,5%,1/10W,TP,1608	
R345	2007-000074	R-CHIP	100ohm,5%,1/10W,TP,1608	
R346	2007-000074	R-CHIP	100ohm,5%,1/10W,TP,1608	
R347	2007-000074	R-CHIP	100ohm,5%,1/10W,TP,1608	
R348	2007-000074	R-CHIP	100ohm,5%,1/10W,TP,1608	
R35	2007-000070	R-CHIP	0ohm,5%,1/10W,TP,1608	
R353	2007-000071	R-CHIP	22ohm,5%,1/10W,TP,1608	
R354	2007-000071	R-CHIP	22ohm,5%,1/10W,TP,1608	
R355	2007-000071	R-CHIP	22ohm,5%,1/10W,TP,1608	
R356	2007-000071	R-CHIP	22ohm,5%,1/10W,TP,1608	
R357	2007-000071	R-CHIP	22ohm,5%,1/10W,TP,1608	
R358	2007-000071	R-CHIP	22ohm,5%,1/10W,TP,1608	
R359	2007-000071	R-CHIP	22ohm,5%,1/10W,TP,1608	
R36	2007-000070	R-CHIP	0ohm,5%,1/10W,TP,1608	
R360	2007-000071	R-CHIP	22ohm,5%,1/10W,TP,1608	
R361	2007-000071	R-CHIP	22ohm,5%,1/10W,TP,1608	
R362	2007-000071	R-CHIP	22ohm,5%,1/10W,TP,1608	
R363	2007-000071	R-CHIP	22ohm,5%,1/10W,TP,1608	
R364	2007-000071	R-CHIP	22ohm,5%,1/10W,TP,1608	
R365	2007-000071	R-CHIP	22ohm,5%,1/10W,TP,1608	
R366	2007-000071	R-CHIP	22ohm,5%,1/10W,TP,1608	
R367	2007-000071	R-CHIP	22ohm,5%,1/10W,TP,1608	
R368	2007-000071	R-CHIP	22ohm,5%,1/10W,TP,1608	
R369	2007-000071	R-CHIP	22ohm,5%,1/10W,TP,1608	
R37	2007-000070	R-CHIP	0ohm,5%,1/10W,TP,1608	
R371	2007-000084	R-CHIP	4.7Kohm,5%,1/10W,TP,1608	
R372	2007-000090	R-CHIP	10Kohm,5%,1/10W,TP,1608	
R373	2007-000090	R-CHIP	10Kohm,5%,1/10W,TP,1608	
R374	2007-000090	R-CHIP	10Kohm,5%,1/10W,TP,1608	
R376	2007-001167	R-CHIP	75ohm,5%,1/10W,TP,1608	
R38	2007-000070	R-CHIP	0ohm,5%,1/10W,TP,1608	
R381	2007-001167	R-CHIP	75ohm,5%,1/10W,TP,1608	
R382	2007-001167	R-CHIP	75ohm,5%,1/10W,TP,1608	
R383	2007-001167	R-CHIP	75ohm,5%,1/10W,TP,1608	
R384	2007-000072	R-CHIP	47ohm,5%,1/10W,TP,1608	
R39	2007-000070	R-CHIP	0ohm,5%,1/10W,TP,1608	
R41	2007-000092	R-CHIP	15Kohm,5%,1/10W,TP,1608	
R410	2007-000074	R-CHIP	100ohm,5%,1/10W,TP,1608	
R411	2007-000070	R-CHIP	0ohm,5%,1/10W,TP,1608	
R412	2007-000070	R-CHIP	0ohm,5%,1/10W,TP,1608	
R413	2007-000070	R-CHIP	0ohm,5%,1/10W,TP,1608	
R414	2007-000616	R-CHIP	24Kohm,5%,1/10W,TP,1608	
R415	2007-000080	R-CHIP	2Kohm,5%,1/10W,TP,1608	
R416	2007-000080	R-CHIP	2Kohm,5%,1/10W,TP,1608	
R417	2007-000080	R-CHIP	2Kohm,5%,1/10W,TP,1608	
R418	2007-000070	R-CHIP	0ohm,5%,1/10W,TP,1608	
R419	2007-000070	R-CHIP	0ohm,5%,1/10W,TP,1608	
R420	2007-000070	R-CHIP	0ohm,5%,1/10W,TP,1608	
R421	2007-000070	R-CHIP	0ohm,5%,1/10W,TP,1608	
R43	2007-000077	R-CHIP	470ohm,5%,1/10W,TP,1608	
R432	2007-000070	R-CHIP	0ohm,5%,1/10W,TP,1608	
R433	2007-000070	R-CHIP	0ohm,5%,1/10W,TP,1608	
R434	2007-000070	R-CHIP	0ohm,5%,1/10W,TP,1608	
R436	2007-000074	R-CHIP	100ohm,5%,1/10W,TP,1608	
R44	2007-000077	R-CHIP	470ohm,5%,1/10W,TP,1608	
R441	2007-000074	R-CHIP	100ohm,5%,1/10W,TP,1608	
R442	2007-000074	R-CHIP	100ohm,5%,1/10W,TP,1608	
R443	2007-000074	R-CHIP	100ohm,5%,1/10W,TP,1608	
R444	2007-000074	R-CHIP	100ohm,5%,1/10W,TP,1608	

7 Electrical Parts List

Loc. No.	Code No.	Description	Specification	Remarks
R445	2007-000094	R-CHIP	22Kohm,5%,1/10W,TP,1608	
R446	2007-000094	R-CHIP	22Kohm,5%,1/10W,TP,1608	
R447	2007-000094	R-CHIP	22Kohm,5%,1/10W,TP,1608	
R448	2007-000094	R-CHIP	22Kohm,5%,1/10W,TP,1608	
R449	2007-000094	R-CHIP	22Kohm,5%,1/10W,TP,1608	
R45	2007-000077	R-CHIP	470ohm,5%,1/10W,TP,1608	
R450	2007-000094	R-CHIP	22Kohm,5%,1/10W,TP,1608	
R451	2007-000094	R-CHIP	22Kohm,5%,1/10W,TP,1608	
R452	2007-000094	R-CHIP	22Kohm,5%,1/10W,TP,1608	
R4532	2007-000102	R-CHIP	100Kohm,5%,1/10W,TP,1608	
R4535	2007-001167	R-CHIP	75ohm,5%,1/10W,TP,1608	
R4536	2007-001167	R-CHIP	75ohm,5%,1/10W,TP,1608	
R4537	2007-001167	R-CHIP	75ohm,5%,1/10W,TP,1608	
R4538	2007-001167	R-CHIP	75ohm,5%,1/10W,TP,1608	
R4539	2007-000070	R-CHIP	0ohm,5%,1/10W,TP,1608	
R4540	2007-000070	R-CHIP	0ohm,5%,1/10W,TP,1608	
R4541	2007-000070	R-CHIP	0ohm,5%,1/10W,TP,1608	
R4542	2007-000070	R-CHIP	0ohm,5%,1/10W,TP,1608	
R4543	2007-000070	R-CHIP	0ohm,5%,1/10W,TP,1608	
R4544	2007-000070	R-CHIP	0ohm,5%,1/10W,TP,1608	
R4545	2007-000070	R-CHIP	0ohm,5%,1/10W,TP,1608	
R4546	2007-000070	R-CHIP	0ohm,5%,1/10W,TP,1608	
R4547	2007-000070	R-CHIP	0ohm,5%,1/10W,TP,1608	
R4548	2007-000070	R-CHIP	0ohm,5%,1/10W,TP,1608	
R4549	2007-000070	R-CHIP	0ohm,5%,1/10W,TP,1608	
R4550	2007-000070	R-CHIP	0ohm,5%,1/10W,TP,1608	
R4551	2007-000084	R-CHIP	4.7Kohm,5%,1/10W,TP,1608	
R4552	2007-000084	R-CHIP	4.7Kohm,5%,1/10W,TP,1608	
R4553	2007-000084	R-CHIP	4.7Kohm,5%,1/10W,TP,1608	
R4554	2007-000084	R-CHIP	4.7Kohm,5%,1/10W,TP,1608	
R4555	2007-000074	R-CHIP	100ohm,5%,1/10W,TP,1608	
R4556	2007-000074	R-CHIP	100ohm,5%,1/10W,TP,1608	
R4557	2007-000084	R-CHIP	4.7Kohm,5%,1/10W,TP,1608	
R4558	2007-000084	R-CHIP	4.7Kohm,5%,1/10W,TP,1608	
R4559	2007-001167	R-CHIP	75ohm,5%,1/10W,TP,1608	
R4560	2007-000070	R-CHIP	0ohm,5%,1/10W,TP,1608	
R4561	2007-000070	R-CHIP	0ohm,5%,1/10W,TP,1608	
R4562	2007-000070	R-CHIP	0ohm,5%,1/10W,TP,1608	
R4563	2007-000070	R-CHIP	0ohm,5%,1/10W,TP,1608	
R4564	2007-000070	R-CHIP	0ohm,5%,1/10W,TP,1608	
R4565	2007-000070	R-CHIP	0ohm,5%,1/10W,TP,1608	
R4566	2007-000070	R-CHIP	0ohm,5%,1/10W,TP,1608	
R4567	2007-000070	R-CHIP	0ohm,5%,1/10W,TP,1608	
R4568	2007-000074	R-CHIP	100ohm,5%,1/10W,TP,1608	
R4569	2007-000074	R-CHIP	100ohm,5%,1/10W,TP,1608	
R4570	2007-000070	R-CHIP	0ohm,5%,1/10W,TP,1608	
R4571	2007-000070	R-CHIP	0ohm,5%,1/10W,TP,1608	
R4572	2007-000070	R-CHIP	0ohm,5%,1/10W,TP,1608	
R459	2007-000084	R-CHIP	4.7Kohm,5%,1/10W,TP,1608	
R46	2007-000070	R-CHIP	0ohm,5%,1/10W,TP,1608	
R464	2007-001167	R-CHIP	75ohm,5%,1/10W,TP,1608	
R467	2007-001167	R-CHIP	75ohm,5%,1/10W,TP,1608	
R468	2007-000078	R-CHIP	1Kohm,5%,1/10W,TP,1608	
R469	2007-000078	R-CHIP	1Kohm,5%,1/10W,TP,1608	
R47	2007-000070	R-CHIP	0ohm,5%,1/10W,TP,1608	
R470	2007-001167	R-CHIP	75ohm,5%,1/10W,TP,1608	
R471	2007-000078	R-CHIP	1Kohm,5%,1/10W,TP,1608	
R472	2007-001167	R-CHIP	75ohm,5%,1/10W,TP,1608	
R473	2007-000078	R-CHIP	1Kohm,5%,1/10W,TP,1608	
R474	2007-001167	R-CHIP	75ohm,5%,1/10W,TP,1608	
R475	2007-001134	R-CHIP	68ohm,5%,1/10W,TP,1608	
R476	2007-000102	R-CHIP	100Kohm,5%,1/10W,TP,1608	
R48	2007-000070	R-CHIP	0ohm,5%,1/10W,TP,1608	
R49	2007-000070	R-CHIP	0ohm,5%,1/10W,TP,1608	
R51	2007-000078	R-CHIP	1Kohm,5%,1/10W,TP,1608	

Loc. No.	Code No.	Description	Specification	Remarks
R510	2007-000098	R-CHIP	56Kohm,5%,1/10W,TP,1608	
R511	2007-000098	R-CHIP	56Kohm,5%,1/10W,TP,1608	
R512	2007-000070	R-CHIP	0ohm,5%,1/10W,TP,1608	
R513	2007-000070	R-CHIP	0ohm,5%,1/10W,TP,1608	
R514	2007-000070	R-CHIP	0ohm,5%,1/10W,TP,1608	
R516	2007-000074	R-CHIP	100ohm,5%,1/10W,TP,1608	
R517	2007-000074	R-CHIP	100ohm,5%,1/10W,TP,1608	
R518	2007-000074	R-CHIP	100ohm,5%,1/10W,TP,1608	
R519	2007-000074	R-CHIP	100ohm,5%,1/10W,TP,1608	
R52	2007-000097	R-CHIP	47Kohm,5%,1/10W,TP,1608	
R520	2007-000074	R-CHIP	100ohm,5%,1/10W,TP,1608	
R521	2007-000074	R-CHIP	100ohm,5%,1/10W,TP,1608	
R522	2007-000074	R-CHIP	100ohm,5%,1/10W,TP,1608	
R523	2007-000074	R-CHIP	100ohm,5%,1/10W,TP,1608	
R524	2007-000074	R-CHIP	100ohm,5%,1/10W,TP,1608	
R525	2007-000074	R-CHIP	100ohm,5%,1/10W,TP,1608	
R526	2007-000074	R-CHIP	100ohm,5%,1/10W,TP,1608	
R527	2007-000084	R-CHIP	4.7Kohm,5%,1/10W,TP,1608	
R528	2007-000074	R-CHIP	100ohm,5%,1/10W,TP,1608	
R529	2007-000074	R-CHIP	100ohm,5%,1/10W,TP,1608	
R53	2007-000097	R-CHIP	47Kohm,5%,1/10W,TP,1608	
R530	2007-000074	R-CHIP	100ohm,5%,1/10W,TP,1608	
R531	2007-000074	R-CHIP	100ohm,5%,1/10W,TP,1608	
R532	2007-000074	R-CHIP	100ohm,5%,1/10W,TP,1608	
R533	2007-000074	R-CHIP	100ohm,5%,1/10W,TP,1608	
R534	2007-000074	R-CHIP	100ohm,5%,1/10W,TP,1608	
R535	2007-000074	R-CHIP	100ohm,5%,1/10W,TP,1608	
R536	2007-000074	R-CHIP	100ohm,5%,1/10W,TP,1608	
R537	2007-000074	R-CHIP	100ohm,5%,1/10W,TP,1608	
R538	2007-000074	R-CHIP	100ohm,5%,1/10W,TP,1608	
R539	2007-000084	R-CHIP	4.7Kohm,5%,1/10W,TP,1608	
R54	2007-000090	R-CHIP	10Kohm,5%,1/10W,TP,1608	
R540	2007-000090	R-CHIP	10Kohm,5%,1/10W,TP,1608	
R541	2007-000090	R-CHIP	10Kohm,5%,1/10W,TP,1608	
R542	2007-000102	R-CHIP	100Kohm,5%,1/10W,TP,1608	
R543	2007-000309	R-CHIP	10ohm,5%,1/10W,TP,1608	
R544	2007-000309	R-CHIP	10ohm,5%,1/10W,TP,1608	
R545	2007-000076	R-CHIP	330ohm,5%,1/10W,TP,1608	
R546	2007-000076	R-CHIP	330ohm,5%,1/10W,TP,1608	
R547	2007-000102	R-CHIP	100Kohm,5%,1/10W,TP,1608	
R548	2007-000086	R-CHIP	5.6Kohm,5%,1/10W,TP,1608	
R549	2007-000081	R-CHIP	2.7Kohm,5%,1/10W,TP,1608	
R55	2007-000090	R-CHIP	10Kohm,5%,1/10W,TP,1608	
R550	2007-000088	R-CHIP	7.5Kohm,5%,1/10W,TP,1608	
R551	2007-000088	R-CHIP	7.5Kohm,5%,1/10W,TP,1608	
R552	2007-000093	R-CHIP	20Kohm,5%,1/10W,TP,1608	
R553	2007-000093	R-CHIP	20Kohm,5%,1/10W,TP,1608	
R56	2007-000090	R-CHIP	10Kohm,5%,1/10W,TP,1608	
R57	2007-000090	R-CHIP	10Kohm,5%,1/10W,TP,1608	
R58	2007-000098	R-CHIP	56Kohm,5%,1/10W,TP,1608	
R59	2007-000098	R-CHIP	56Kohm,5%,1/10W,TP,1608	
R611	2007-000072	R-CHIP	47ohm,5%,1/10W,TP,1608	
R612	2007-000072	R-CHIP	47ohm,5%,1/10W,TP,1608	
R613	2007-000072	R-CHIP	47ohm,5%,1/10W,TP,1608	
R614	2007-000072	R-CHIP	47ohm,5%,1/10W,TP,1608	
R615	2007-000072	R-CHIP	47ohm,5%,1/10W,TP,1608	
R616	2007-000072	R-CHIP	47ohm,5%,1/10W,TP,1608	
R617	2007-000072	R-CHIP	47ohm,5%,1/10W,TP,1608	
R618	2007-000072	R-CHIP	47ohm,5%,1/10W,TP,1608	
R619	2007-000072	R-CHIP	47ohm,5%,1/10W,TP,1608	
R620	2007-000072	R-CHIP	47ohm,5%,1/10W,TP,1608	
R622	2007-000070	R-CHIP	0ohm,5%,1/10W,TP,1608	
R623	2007-000070	R-CHIP	0ohm,5%,1/10W,TP,1608	
R624	2007-000070	R-CHIP	0ohm,5%,1/10W,TP,1608	
R625	2007-000070	R-CHIP	0ohm,5%,1/10W,TP,1608	

7 Electrical Parts List

Loc. No.	Code No.	Description	Specification	Remarks
R626	2007-000070	R-CHIP	0ohm,5%,1/10W,TP,1608	
R632	2007-000070	R-CHIP	0ohm,5%,1/10W,TP,1608	
R640	2007-000070	R-CHIP	0ohm,5%,1/10W,TP,1608	
R643	2007-000090	R-CHIP	10Kohm,5%,1/10W,TP,1608	
R837	2007-000102	R-CHIP	100Kohm,5%,1/10W,TP,1608	
R982	2007-000074	R-CHIP	100ohm,5%,1/10W,TP,1608	
R987	2007-001167	R-CHIP	75ohm,5%,1/10W,TP,1608	
R992	2007-001167	R-CHIP	75ohm,5%,1/10W,TP,1608	
RA31	2011-000002	R-NETWORK	220HM,5%,1/16W,L,CHIP,8P,TP,3216	
RA310	2011-000002	R-NETWORK	220HM,5%,1/16W,L,CHIP,8P,TP,3216	
RA311	2011-000002	R-NETWORK	220HM,5%,1/16W,L,CHIP,8P,TP,3216	
RA312	2011-000002	R-NETWORK	220HM,5%,1/16W,L,CHIP,8P,TP,3216	
RA32	2011-000002	R-NETWORK	220HM,5%,1/16W,L,CHIP,8P,TP,3216	
RA33	2011-000002	R-NETWORK	220HM,5%,1/16W,L,CHIP,8P,TP,3216	
RA34	2011-000002	R-NETWORK	220HM,5%,1/16W,L,CHIP,8P,TP,3216	
RA35	2011-000002	R-NETWORK	220HM,5%,1/16W,L,CHIP,8P,TP,3216	
RA36	2011-000002	R-NETWORK	220HM,5%,1/16W,L,CHIP,8P,TP,3216	
RA37	2011-000002	R-NETWORK	220HM,5%,1/16W,L,CHIP,8P,TP,3216	
RA38	2011-000002	R-NETWORK	220HM,5%,1/16W,L,CHIP,8P,TP,3216	
RA39	2011-000002	R-NETWORK	220HM,5%,1/16W,L,CHIP,8P,TP,3216	
U502	2402-000176	C-AL,SMD	10uF,20%,16V,GP,TP,4.3x4.3x5.4	
U503	2402-000176	C-AL,SMD	10uF,20%,16V,GP,TP,4.3x4.3x5.4	
U504	3301-001145	CORE-FERRITE BEAD	AB,4.5x1.6x1.6mm,-,-	SNA
U507	0403-001435	DIODE-ZENER	OZX363C5V6,5.32-5.88,200MW,SOT-363,TP	
U509	0403-001435	DIODE-ZENER	OZX363C5V6,5.32-5.88,200MW,SOT-363,TP	
U512	3301-001163	CORE-FERRITE BEAD	AB,80ohm,2x1.25x1mm,300mA,TP,FERRITE,0.08ohm	
U513	2203-000189	C-CERAMIC,CHIP	100nF,+80-20%,25V,Y5V,TP,1608,	
U514	2203-000189	C-CERAMIC,CHIP	100nF,+80-20%,25V,Y5V,TP,1608,	
U515	2203-000189	C-CERAMIC,CHIP	100nF,+80-20%,25V,Y5V,TP,1608,	
U516	2203-000189	C-CERAMIC,CHIP	100nF,+80-20%,25V,Y5V,TP,1608,	
U517	2203-000189	C-CERAMIC,CHIP	100nF,+80-20%,25V,Y5V,TP,1608,	
U518	2203-000552	C-CERAMIC,CHIP	0.02NF,5%,50V,COG,TP,1608	
U519	2203-000552	C-CERAMIC,CHIP	0.02NF,5%,50V,COG,TP,1608	
U520	2203-005065	C-CERAMIC,CHIP	1000nF,+80-20%,10V,Y5V,TP,1608	
U521	2203-005065	C-CERAMIC,CHIP	1000nF,+80-20%,10V,Y5V,TP,1608	
U522	2203-005065	C-CERAMIC,CHIP	1000nF,+80-20%,10V,Y5V,TP,1608	
U523	2203-005065	C-CERAMIC,CHIP	1000nF,+80-20%,10V,Y5V,TP,1608	
U524	2203-005065	C-CERAMIC,CHIP	1000nF,+80-20%,10V,Y5V,TP,1608	
U525	0403-000579	DIODE-ZENER	BZX84C5V1.5,1V,5%,200mW,SOT-23	
U526	2402-001042	C-AL,SMD	100uF,20%,16V,GP,TP,6.6x6.6x5.4mm	
U527	2402-000135	C-AL,SMD	22uF,20%,16V,GP,TP,5.3x5.3x5.4	
U528	2402-000176	C-AL,SMD	10uF,20%,16V,GP,TP,4.3x4.3x5.4	
U529	2703-001070	INDUCTOR-SMD	100uH,10%,4.5x3.2x3.2mm	
U530	2801-003773	CRYSTAL-SMD	12MHZ,30PPM,28-AAN,20PF,500HM,TP	
U531	2402-000176	C-AL,SMD	10uF,20%,16V,GP,TP,4.3x4.3x5.4	
X21	2801-003667	CRYSTAL-SMD	14.3182MHZ,50PPM,28-AAN,16,500HM,TP	
X41	2801-004004	CRYSTAL-SMD	20.25MHz,20ppm,28-AAN,13pF,25ohm,TP	
X51	2801-003843	CRYSTAL-SMD	18.432MHz,30ppm,28-AAN,20pF,50ohm,TP	
ZD21	0406-001163	DIODE-TVS	CDS3C05GTA,6.4V/-,-,SMD	
ZD22	0406-001163	DIODE-TVS	CDS3C05GTA,6.4V/-,-,SMD	
ZD25	0406-001163	DIODE-TVS	CDS3C05GTA,6.4V/-,-,SMD	
ZD26	0406-001163	DIODE-TVS	CDS3C05GTA,6.4V/-,-,SMD	
ZD27	0406-001163	DIODE-TVS	CDS3C05GTA,6.4V/-,-,SMD	
ZD28	0406-001163	DIODE-TVS	CDS3C05GTA,6.4V/-,-,SMD	
-	BN97-00221H	ASSY MICOM	AS15SO	SNA
CIS	BN82-00093J	A/S MICOM	AS15SO	SNA
IC22	1102-001108	IC-EPROM	27C020,256Kx8Bit,PLCC,32P,495MIL,70ns,5V,10%PLASTIC,0to+70C,100uA,CMOS,TR	SNA

7-1-2 LS15E33C Others

Loc. No.	Code No.	Description	Specification	Remarks
OTHERS - C/F+C/R	BN90-00506H 6003-001003	ASSY COVER FRONT SCREW-TAPTITE	AS17SO BH,+B,M4,L12,ZPC(BLK),SWRCH18	SNA
C/F	BN96-00443D	ASSY COVER P-FRONT	AS15SO,ABS	SNA
C/F	6003-000117	SCREW-TAPTITE	BH,+B,M3,L6,ZPC(YEL),SWRCH18A	SNA
C/F	6003-000259	SCREW-TAPTITE	BH,+B,M3,L8,ZPC(YEL),SWRCH18A	SNA
C/F	6003-000276	SCREW-TAPTITE	BH,+B,M3,L10,ZPC(YEL),SWCH10	SNA
C/F	BN59-00216A	PBA SUB	CN17VS,IR PBA SUB,-,-,-,-,-	SNA
C/F	BN61-00398A	BRACKET-STAND	VR17KO,SECC,T1.0,,,,	SNA
C/F	BN61-00400A	STAND-SPRING	VR17KO,SUS,TO.5,,,,	SNA
C/F	BN63-00699A	COVER-FRONT	ARES15,ABS,T3.0,,,HB,,,	SNA
C/F	BN63-00700A	COVER-MIDDLE	ARES15,ABS,T2.5,,,HB,,,	SNA
C/F	BN63-00867A	FELT	AS17UO,FELT,0.5,10,68	SNA
C/F	BN63-00868A	FELT	AS17UO,FELT,0.5,10,214	SNA
C/F	BN63-00869A	FELT	AS17UO,FELT,0.3,10,10	SNA
C/F	BN63-00870A	FELT	AS17UO,FELT,0.3,10,287	SNA
C/F	BN63-00871A	ABSORBER SPONGE-UREHANE	AS17UO,URETHANE SPONGE,5.0,10,70	SNA
C/F	BN64-00031A	BADGE-BRAND	RB15AS,AL,T1.4,6.3,40.1,SILIVER,SAMSUNG(G/S)	SNA
C/F	BN64-00155A	KNOB-FUNCTION	VR17KO,ABS HB,,,,,,	SNA
C/F	BN67-00089A	LENS-IR	ARES17,ACRYL,,,,,,	SNA
C/F	BN96-00477A	ASSY BOARD P-FUNCTION	ARES,FUNCTION,211*23.5	
C/F	BN96-00495A	ASSY SPEAKER P	16ohm,Ares 15&17,Left,3W,240mm	SNA
C/F	BN96-00496A	ASSY SPEAKER P	16ohm,Ares 15,Right,3W,530mm	SNA
-	BN90-00507A	ASSY STAND	AS15UO	SNA
STD	BN96-00390A	ASSY STAND P-SET	VR17KO,,SECC,,	
STD	6001-000139	SCREW-MACHINE	BH,+M4,L10,ZPC(YEL),SM10C,-	SNA
STD	6003-001010	SCREW-TAPTITE	FH,+B,M3,L6,ZPC(YEL),SWRCH18A	
STD	BN61-00399A	BRACKET-STAND	VR17KO,AL,T2.0,,,,DIECASTING	SNA
STD	BN63-00671A	COVER-STAND FRONT	VR17KO,ABS HB,,,,,,SPRAY	SNA
STD	BN63-00672A	COVER-STAND REAR	VR17KO,ABS HB,,,,,,COATING	SNA
STD	BN73-60002A	RUBBER-FOOT	CY15PO,SPONGE,-,-,-,BL,-,-,-,-	SNA
STD	BN96-00558A	ASSY MISC P-HINGE LEFT	ARES17,Zn T4.0	SNA
STD	BN96-00559A	ASSY MISC P-HINGE RIGHT	ARES17,Zn T4.0	SNA
-	BN90-00508H	ASSY COVER REAR	AS17SO	SNA
C/R	BN63-00702A	COVER-JACK	ARES15,ABS,T2.5,,,HB,,,	SNA
C/R	BN96-00444D	ASSY COVER P-REAR	AS15SO,ABS	SNA
C/R	BN63-00701A	COVER-REAR	ARES15,ABS,T3.0,,,HB,,,	SNA
C/R	BN64-00176D	INLAY-REAR	ARES,PC EMBO,TO.178,124*25,GRAY	SNA
-	BN91-00310K	ASSY MISC-ADAPTER	AS15*	SNA
CIS	BN44-00080A	ADAPTOR	PSCV420108(C)AD-421,AD-4214L,100 to 240 Vac,50-60Hz,+14Vdc,3A,42W,AC-DC,0 TO +	SNA
-	BN91-00567K	ASSY LCD-S3	ES15/MB15,S3	SNA
CIS	BN07-00111A	LCD	LTM150XH-L06,C2B,6BIT_FRC_331.6*254.76*12.5,16.19M,-,0.297*0.297,-,-,AMLCD/1 LV	
-	BN91-00639H	ASSY CHASSIS-TF	AS15SO	
CIS	BN83-00065A	CKD-IC-VOL REFERANCE	1203-000560,GH17ASPS/XAZ,SEDA	SNA
CIS	BN83-00066A	CKD-IC-OP AMP	1201-000471,GH17ASPS/XAZ,SEDA	SNA
CIS	BN83-00067A	CKD-IC-VOLTAGE COMP	1202-000104,GH17ASPS/XAZ,SEDA	SNA
CIS	BN83-00068A	CKD-TR-DIGITAL	0504-000158,GH17ASPS/XAZ,SEDA	SNA
CIS	BN83-00069A	CKD-TR-SMALL SIGNAL	0501-000457,GH17ASPS/XAZ,SEDA	SNA
CIS	BN83-00070A	CKD-TR-DIGITAL	0504-000129,GH17ASPS/XAZ,SEDA	SNA
CIS	BN83-00071A	CKD-TR-SMALL SIGNAL	0501-000462,GH17ASPS/XAZ,SEDA	SNA
CIS	BN83-00072A	CKD-FET-SILICON	0505-001160,GH17ASPS/XAZ,SEDA	SNA
CIS	BN83-00073A	CKD-TR-POWER	0502-001198,GH17ASPS/XAZ,SEDA	SNA

7 Electrical Parts List

Loc. No.	Code No.	Description	Specification	Remarks
CIS	BN83-00074A	CKD-DIODE-ARRAY	0407-000114,GH17ASPS/XAZ,SEDA	SNA
CIS	BN83-00075A	CKD-DIODE-RECTIFIER	0402-001110,GH17ASPS/XAZ,SEDA	SNA
CIS	BN83-00076A	CKD-DIODE-ARRAY	0407-000122,GH17ASPS/XAZ,SEDA	SNA
CIS	BN83-00077A	CKD-DIODE-ARRAY	0407-000116,GH17ASPS/XAZ,SEDA	SNA
CIS	BN83-00078A	CKD-C-AL	2401-003400,GH17ASPS/XAZ,SEDA	SNA
CIS	BN83-00079A	CKD-C-FILM,MPPF	2301-001336,GH17ASPS/XAZ,SEDA	SNA
CIS	BN83-00080A	CKD-C-CERAMIC,DISC	2201-002122,GH17ASPS/XAZ,SEDA	SNA
CIS	BN83-00081A	CKD-C-CERAMIC,CHIP	2203-000206,GH17ASPS/XAZ,SEDA	SNA
CIS	BN83-00082A	CKD-C-CERAMIC,CHIP	2203-001458,GH17ASPS/XAZ,SEDA	SNA
CIS	BN83-00083A	CKD-C-CERAMIC,CHIP	2203-000455,GH17ASPS/XAZ,SEDA	SNA
CIS	BN83-00084A	CKD-C-CERAMIC,CHIP	2203-000590,GH17ASPS/XAZ,SEDA	SNA
CIS	BN83-00085A	CKD-C-CERAMIC,CHIP	2203-001130,GH17ASPS/XAZ,SEDA	SNA
CIS	BN83-00086A	CKD-C-CERAMIC,CHIP	2203-002793,GH17ASPS/XAZ,SEDA	SNA
CIS	BN83-00089A	CKD-R-CHIP	2007-000794,GH17ASPS/XAZ,SEDA	SNA
CIS	BN83-00092A	CKD-R-CHIP	2007-000872,GH17ASPS/XAZ,SEDA	SNA
CIS	BN83-00095A	CKD-R-CHIP	2007-000122,GH17ASPS/XAZ,SEDA	SNA
CIS	BN83-00097A	CKD-R-CHIP	2007-001114,GH17ASPS/XAZ,SEDA	SNA
CIS	BN83-00098A	CKD-R-CHIP	2007-000269,GH17ASPS/XAZ,SEDA	SNA
CIS	BN83-00102A	CKD-R-CHIP	2007-000934,GH17ASPS/XAZ,SEDA	SNA
CIS	BN83-00103A	CKD-R-CHIP	2007-000070,GH17ASPS/XAZ,SEDA	SNA
CIS	BN83-00104A	CKD-R-CHIP	2007-002422,GH17ASPS/XAZ,SEDA	SNA
CIS	BN83-00105A	CKD-R-CHIP	2007-000691,GH17ASPS/XAZ,SEDA	SNA
CIS	BN83-00106A	CKD-VR-SMD	2104-000224,GH17ASPS/XAZ,SEDA	SNA
CIS	BN83-00108A	CKD-FUSE-SURFACE MOUNT	3601-001038,GH17ASPS/XAZ,SEDA	SNA
CIS	BN83-00110A	CKD-CONNECTOR-HEADER	3711-000556,GH17ASPS/XAZ,SEDA	SNA
CIS	BN83-00111A	CKD-CONNECTOR-HEADER	3711-004702,GH17ASPS/XAZ,SEDA	SNA
CIS	BN83-00113A	CKD-INSULATOR	LH72-00170A,GH17ASPS/XAZ,SEDA	SNA
CIS	BN83-00137A	CKD-R-CHIP	2007-000091,GH17ASPS/XAZ,SEDA	SNA
CIS	BN83-00150A	CKD-R-CHIP	2007-000052,GH17ASPS/XAZ,SEDA	SNA
CIS	BN83-00151A	CKD-R-CHIP	2007-000060,GH17ASPS/XAZ,SEDA	SNA
CIS	BN83-00152A	CKD-R-CHIP	2007-000066,GH17ASPS/XAZ,SEDA	SNA
CIS	BN83-00153A	CKD-R-CHIP	2007-000067,GH17ASPS/XAZ,SEDA	SNA
CIS	BN83-00154A	CKD-R-CHIP	2007-000616,GH17ASPS/XAZ,SEDA	SNA
CIS	BN83-00155A	CKD-R-CHIP	2007-000670,GH17ASPS/XAZ,SEDA	SNA
CIS	BN83-00156A	CKD-R-CHIP	2007-000736,GH17ASPS/XAZ,SEDA	SNA
CIS	BN83-00157A	CKD-R-CHIP	2007-000828,GH17ASPS/XAZ,SEDA	SNA
CIS	BN83-00158A	CKD-R-CHIP	2007-001007,GH17ASPS/XAZ,SEDA	SNA
CIS	BN83-00159A	CKD-R-CHIP	2007-001038,GH17ASPS/XAZ,SEDA	SNA
CIS	BN83-00160A	CKD-R-CHIP	2007-001094,GH17ASPS/XAZ,SEDA	SNA
CIS	BN83-00161A	CKD-TRANS-INVERTER	LH26-00157A,GH17ASPS/XAZ,SEDA	SNA
CIS	BN83-00162A	CKD-COIL-INDUCTOR-SMD	LH27-00151A,GH17ASPS/XAZ,SEDA	SNA
CIS	BN83-00163A	CKD-PCB MAIN	LH41-00233B,GH17ASPS/XAZ,SEDA	SNA
CIS	BN63-00066G	SHIELD-D-SUB	AS15UO,SPT,E,TO.5,NTSC	SNA
INVERTER	BN44-00056B	INVERTER	GH15IS,SIC1542T,48KHZ,11.5-14.5,3.6MARMS,6.8MARMS,48KHZ,140*37.0*17.0,ALAMP,49KH	SNA
CIS	BN96-00445B	ASSY MISC P-SHIELD COVER	ARES15,PAL,SECC TO.8	SNA
CIS	6502-000131	CABLE CLAMP	DAWS-1NA,ID10,-,NTR,NYLON66	SNA
CIS	BH68-30003B	LABEL-HIGH VOLTAGE	CKA4217(C),ART,100G,YEL,BLK,W30*L30,CDT-TUBE	SNA
CIS	BN63-00549A	GASKET	EOS,CONDUCTIVE FABRIC,2.5MM,17MM,160MM,GRAY,71TSSX-17-2.5-160-13,SHIELD FORM	SNA
CIS	BN63-00703B	SHIELD-PCB	ARES15,SECC,TO.8,PAL	SNA
CIS	BN63-00905A	GASKET	AS15UO,1.2,10,280	SNA
CIS	BN71-00022A	EARTH PLATE	RB15AS,SUS,TO.15	SNA
-	BN91-00640H	ASSY SHIELD	AS17SO	SNA
C/F+AV/JACK	6003-000276	SCREW-TAPTITE	BH,+ ,B,M3,L10,ZPC(YEL),SWCH10	SNA
C/F+BRKT/SUPPO	6003-000276	SCREW-TAPTITE	BH,+ ,B,M3,L10,ZPC(YEL),SWCH10	SNA
C/F+NT/JACK	6003-000276	SCREW-TAPTITE	BH,+ ,B,M3,L10,ZPC(YEL),SWCH10	SNA
C/F+SH/PCB	6003-000276	SCREW-TAPTITE	BH,+ ,B,M3,L10,ZPC(YEL),SWCH10	SNA
CIS	BN39-00202A	LEAD CONNECTOR-ASSY	EOS,UJ2835#28,UJ,USA,12P,200MM,#28,SMH200-12,12505HS-12,BK,2835#28,SJ01-01-252,C	SNA
CIS	BN70-00192A	BRACKET-SUPPORT	RB15AS,SECC,0.8	SNA
SH/PCB+AV/WIRE	6003-000117	SCREW-TAPTITE	BH,+ ,B,M3,L6,ZPC(YEL),SWRCH18A	SNA
CIS	BN96-00542A	ASSY BOARD P-AV JACK	AS15UO,AV JACK,78*53mm	SNA
-	BN92-00737H	ASSY BOX	AS17SO	SNA

Loc. No.	Code No.	Description	Specification	Remarks
CIS	BH68-00329A	LABEL BAR CODE	ALL,MPRII,DOM,EXPORT,ART-PAPER 90G,-,-,-,-,-,WHT,-,-,-	SNA
CIS	BH75-10529A	UNIT-HANDLE PACKING	LXA410TLMU,PE,-,-,WHITE,-	SNA
CIS	BN72-60001A	LEVER TOP	LSD210TL,PE-LD,WHITE,TFT_LCD	SNA
CIS	BN72-60002A	LEVER BOTTOM	LSD210TL,PE-LD,WHITE,TFT-LCD	SNA
CIS	BN69-00551A	PACKING CASE	15E3(ARES),SW4 A,A1,523,417,151,WHT,OFFSET(SEA)	SNA
-	BN92-00738H	ASSY LABEL	AS17SO	SNA
CIS	BN68-00412B	LABEL-BAR CODE	ARES/VICTORIA,EUROPE,PE,TO.05,60*35,POLYESTER	SNA
CIS	BN68-00441C	LABEL RATING	RB15AS,ASIA,M-EAST,PC EMBO,TO.178,146*76,GRAY,ARES	SNA
-	BN92-00739H	ASSY ACCESSORY	AS17SO	SNA
ACCESSORY	BN96-00516P	ASSY ACCESSORY	AS15SO	
ACCESSORY	0203-000214	TAPE-OPP MASKING	OPP/W50/CLR,TO.05,W50,L400000,	SNA
ACCESSORY	4301-000121	BATTERY-MN	1.5V,-,AAA,10.5x44.5m,HOLDER	
ACCESSORY	6902-000110	BAG PE	LDPE,TO.05,L356,W240,TRP,28,2,PE MARK	SNA
ACCESSORY	AA68-00371C	CARD WARRANTY-01	,SEA,W/P100(G),1 YEAR	SNA
ACCESSORY	AA68-40065B	CARD-REGISTRATION	,SEA,A5,ENG,A/P220,2P(SIDES),4	SNA
ACCESSORY	BH39-10339X	CBF POWER CORD	DET,SVT,125V/7A,BLK,1830,WALL(ST),MSP-33,MSC-30	
ACCESSORY	BN39-00043A	CBF SIGNAL	DETACHABLE,-,15P/15P,-,-,-	
ACCESSORY	BN59-00302A	REMOCON	,TM71,EOS,37,GR20,SS,DO	
ACCESSORY	BN68-00438G	MANUAL USERS	LS15E33C,LS17E34C,SAMSUNG,En,HK,00	SNA
-	BN92-00740A	ASSY P/MATERIAL	AS15UO	SNA
P/M	0203-001100	TAPE-OPP MASKING	OPP/W75/CLR,TO.05,W75,L800000,CLR	SNA
P/M	6902-000520	BAG PE	HDPE/NITRON(DOUBLE),TO.015/TO.5(DOUBLE),W700,L700,TRP,28 LANGUAGE,2-	SNA
P/MATERIAL	6902-000539	BAG SHEET	HDPE+NITRON,TO.015+TO.5,W600,L250,-,-,2+ HOLE(40MM)	SNA
P/M	BH69-00457B	PACKING-PAD	GH15,FOAM,T3.0,930,1000	SNA
P/M	BH69-30002C	BAG-PE	LDPE,TO.05,W2400,NO_PRINT	SNA
P/M	BH69-30360A	BAG-AIR	HDPE,TO.2,W1000*L1800,N,-,ALL	SNA
P/M	BH69-40321H	PACKING-PAD EDGE	FS700,B400,-,-,W220,L2270,-,-,-,-	SNA
P/M	BH69-40379A	PACKING-WRAP	LDPE,W500*TO.02,-,-	SNA
P/M	BH69-40383M	PACKING-PAD	CB-SW4,W1000xD800,CHB7707	SNA
P/M	BH69-40384A	PACKING-PALLET(SKD)	WOOD,W1134*L880*120,4000G,CQB4137	SNA
P/M	BN69-00140D	PAD-PALLET COVER	DV17,SW,1100*3600,1134,-,-,-,-,-	SNA
P/M	BN69-00140M	PAD-PALLET COVER	IBM15,SW,800*3540,1295,-,-,-,-,-	SNA
P/M	BN69-00491A	CUSHION	ARES15,EPS,,,,,,,,,50M	SNA

7-2-1 LS17E34C Main PCB Parts

Loc. No.	Code No.	Description	Specification	Remarks
-	BN94-00456G	ASSY PCB MAIN-S5	AS17SO	SNA
C115	2401-002286	C-AL	470uF,20%,16V,WT,TP,10x12.5,5	
C116	2401-002286	C-AL	470uF,20%,16V,WT,TP,10x12.5,5	
CIS	0202-001044	SOLDER-WIRE.	S63S-W3.0,S63S,D3,63Sn/37Pb,-	SNA
CIS	0202-001222	SOLDER-WIRE FLUX	RS-107,RS60-1.2AA,D1.2,SN60/PB40,-	SNA
CIS	0204-001095	THINNER	#4520,-,-,-	SNA
CIS	0204-001677	FLUX	DF-201TVS,MIX,0.820,FLUX 13%,G	SNA
CIS	BN39-00047A	CBF-HARNESS	100MM,100MM,BLU/WHT/GRY,UL1061,AWG28,51021-1200	
CIS	BN39-00134A	CBF HARNESS	RB17AS,UL1571#30,UL/CSA 30P/30P,240MM,BLUE/WHITE,#30,FLX30X,DF14-30S-1.25C,1250	
CIS	BN39-00217B	LEAD CONNECTOR	AS17UO,UL2835#28,UL/CSA,6P,190mm,#28,1250SHS-06,1250SHS-06,BK	SNA
CIS	BN63-00059A	GASKET	GH17MS,CONDUCTIVE FABRIC,5MM,160MM,17MM,-,-,EMI-GASKET	SNA
CIS	BN63-00121A	GASKET	EOS,CONDUCTIVE FABRIC,4MM,30MM,80MM,GRAY,71TSSX 30-4-80-13,71TSSX 30-4-80-13	SNA
CN11	3701-001219	CONNECTOR-DSUB	15P,3R,FEMALE,ANGLE,AUF	
CN12	3722-000117	JACK-DC POWER	3P,3.5MM,AG,BLK,NO	SNA
CN24	3722-001547	JACK-PIN	3P,3.5mm,AU,GRN/BLU/RED,-	
CN25	3722-001756	JACK-PIN	2P,-,AU,WHT/RED,-	
CN41	BN40-00009A	TUNER	TCPS9091PD27A,PAL,HYPER,38.9MHZ,2.5V,75 OHM,75 OHM,DIN,5V,TR	
CN51	3722-001055	JACK-PHONE	5P/2C,3.6PI,AG,BLK,#16-22	
CN52	3711-004386	CONNECTOR-HEADER	BOX,3P,1R,2mm,ANGLE,SN	SNA
CN53	3711-004270	CONNECTOR-HEADER	BOX,2P,1R,2MM,ANGLE,SN	SNA
IC42	1204-001904	IC-PAL DECODER	SAA5264PS,SDIP,52P,600MIL,PLASTIC,3.6V,-,-,20TO+70C,ST,IC-DECODER	
IN/PCB+SH/PCB	6003-000117	SCREW-TAPTITE	BH,+ B,M3,L6,ZPC(YEL),SWRCH18A	SNA
L43	2701-000157	INDUCTOR-AXIAL	220uH,5%,2.5x3.4mm	
L44	2701-000210	INDUCTOR-AXIAL	680uH,10%,3x7mm	
L45	2701-000177	INDUCTOR-AXIAL	33uH,10%,2.5x3.4mm	
L46	2701-000177	INDUCTOR-AXIAL	33uH,10%,2.5x3.4mm	
L47	2701-000146	INDUCTOR-AXIAL	2.2uH,10%,2.5x3.4mm	
M/PCB+SH/PCB	6003-000117	SCREW-TAPTITE	BH,+ B,M3,L6,ZPC(YEL),SWRCH18A	SNA
SH/PCB+SH/D_SUB	6003-000117	SCREW-TAPTITE	BH,+ B,M3,L6,ZPC(YEL),SWRCH18A	SNA
U501	2401-002286	C-AL	470uF,20%,16V,WT,TP,10x12.5,5	
-	BN97-00217H	ASSY SMD-S5	AS17SO	SNA
BD109	3301-001163	CORE-FERRITE BEAD	AB,80ohm,2x1.25x1mm,300mA,TP,FERRITE,0.08ohm	
BD11	2007-000070	R-CHIP	0ohm,5%,1/10W,TP,1608	
BD12	2007-000070	R-CHIP	0ohm,5%,1/10W,TP,1608	
BD13	2007-000070	R-CHIP	0ohm,5%,1/10W,TP,1608	
BD14	3301-001163	CORE-FERRITE BEAD	AB,80ohm,2x1.25x1mm,300mA,TP,FERRITE,0.08ohm	
BD21	3301-001163	CORE-FERRITE BEAD	AB,80ohm,2x1.25x1mm,300mA,TP,FERRITE,0.08ohm	
BD210	3301-001163	CORE-FERRITE BEAD	AB,80ohm,2x1.25x1mm,300mA,TP,FERRITE,0.08ohm	
BD211	3301-001163	CORE-FERRITE BEAD	AB,80ohm,2x1.25x1mm,300mA,TP,FERRITE,0.08ohm	
BD212	3301-001163	CORE-FERRITE BEAD	AB,80ohm,2x1.25x1mm,300mA,TP,FERRITE,0.08ohm	
BD213	3301-001163	CORE-FERRITE BEAD	AB,80ohm,2x1.25x1mm,300mA,TP,FERRITE,0.08ohm	
BD214	3301-001163	CORE-FERRITE BEAD	AB,80ohm,2x1.25x1mm,300mA,TP,FERRITE,0.08ohm	
BD215	3301-001163	CORE-FERRITE BEAD	AB,80ohm,2x1.25x1mm,300mA,TP,FERRITE,0.08ohm	
BD216	3301-001163	CORE-FERRITE BEAD	AB,80ohm,2x1.25x1mm,300mA,TP,FERRITE,0.08ohm	
BD217	3301-001163	CORE-FERRITE BEAD	AB,80ohm,2x1.25x1mm,300mA,TP,FERRITE,0.08ohm	
BD218	3301-001163	CORE-FERRITE BEAD	AB,80ohm,2x1.25x1mm,300mA,TP,FERRITE,0.08ohm	
BD219	3301-001163	CORE-FERRITE BEAD	AB,80ohm,2x1.25x1mm,300mA,TP,FERRITE,0.08ohm	
BD22	3301-001163	CORE-FERRITE BEAD	AB,80ohm,2x1.25x1mm,300mA,TP,FERRITE,0.08ohm	
BD220	3301-001163	CORE-FERRITE BEAD	AB,80ohm,2x1.25x1mm,300mA,TP,FERRITE,0.08ohm	
BD221	3301-001163	CORE-FERRITE BEAD	AB,80ohm,2x1.25x1mm,300mA,TP,FERRITE,0.08ohm	
BD222	3301-001163	CORE-FERRITE BEAD	AB,80ohm,2x1.25x1mm,300mA,TP,FERRITE,0.08ohm	
BD223	3301-001163	CORE-FERRITE BEAD	AB,80ohm,2x1.25x1mm,300mA,TP,FERRITE,0.08ohm	
BD224	3301-001163	CORE-FERRITE BEAD	AB,80ohm,2x1.25x1mm,300mA,TP,FERRITE,0.08ohm	
BD23	3301-001163	CORE-FERRITE BEAD	AB,80ohm,2x1.25x1mm,300mA,TP,FERRITE,0.08ohm	
BD24	3301-001163	CORE-FERRITE BEAD	AB,80ohm,2x1.25x1mm,300mA,TP,FERRITE,0.08ohm	
BD25	3301-001163	CORE-FERRITE BEAD	AB,80ohm,2x1.25x1mm,300mA,TP,FERRITE,0.08ohm	
BD26	3301-001163	CORE-FERRITE BEAD	AB,80ohm,2x1.25x1mm,300mA,TP,FERRITE,0.08ohm	
BD27	3301-001163	CORE-FERRITE BEAD	AB,80ohm,2x1.25x1mm,300mA,TP,FERRITE,0.08ohm	
BD28	3301-001163	CORE-FERRITE BEAD	AB,80ohm,2x1.25x1mm,300mA,TP,FERRITE,0.08ohm	
BD29	3301-001163	CORE-FERRITE BEAD	AB,80ohm,2x1.25x1mm,300mA,TP,FERRITE,0.08ohm	
BD41	3301-001163	CORE-FERRITE BEAD	AB,80ohm,2x1.25x1mm,300mA,TP,FERRITE,0.08ohm	
BD42	3301-001163	CORE-FERRITE BEAD	AB,80ohm,2x1.25x1mm,300mA,TP,FERRITE,0.08ohm	
BD43	3301-001163	CORE-FERRITE BEAD	AB,80ohm,2x1.25x1mm,300mA,TP,FERRITE,0.08ohm	
BD44	3301-001163	CORE-FERRITE BEAD	AB,80ohm,2x1.25x1mm,300mA,TP,FERRITE,0.08ohm	
BD51	3301-001145	CORE-FERRITE BEAD	AB,4.5x1.6x1.6mm,-,-	SNA
BD52	3301-001163	CORE-FERRITE BEAD	AB,80ohm,2x1.25x1mm,300mA,TP,FERRITE,0.08ohm	

Loc. No.	Code No.	Description	Specification	Remarks
C11	2402-001081	C-AL,SMD	100uF,20%,25V,WT,TP,8.3x8.3x10	
C110	2402-001042	C-AL,SMD	100uF,20%,16V,GP,TP,6.6x6.6x5.4mm	
C112	2402-001086	C-AL,SMD	100UF,20%,16V,WT,TP,6.6X6.6X5.3	
C113	2402-001042	C-AL,SMD	100uF,20%,16V,GP,TP,6.6x6.6x5.4mm	
C114	2402-001086	C-AL,SMD	100UF,20%,16V,WT,TP,6.6X6.6X5.3	
C119	2402-000176	C-AL,SMD	10uF,20%,16V,GP,TP,4.3x4.3x5.4	
C12	2402-001081	C-AL,SMD	100uF,20%,25V,WT,TP,8.3x8.3x10	
C120	2402-000176	C-AL,SMD	10uF,20%,16V,GP,TP,4.3x4.3x5.4	
C121	2402-000176	C-AL,SMD	10uF,20%,16V,GP,TP,4.3x4.3x5.4	
C122	2402-000176	C-AL,SMD	10uF,20%,16V,GP,TP,4.3x4.3x5.4	
C123	2402-000176	C-AL,SMD	10uF,20%,16V,GP,TP,4.3x4.3x5.4	
C125	2203-000697	C-CERAMIC,CHIP	0.002NF,0.25PF,50V,COG,TP,1608	
C126	2203-000697	C-CERAMIC,CHIP	0.002NF,0.25PF,50V,COG,TP,1608	
C127	2203-000697	C-CERAMIC,CHIP	0.002NF,0.25PF,50V,COG,TP,1608	
C13	2402-001044	C-AL,SMD	100UF,20%,25V,GP,TP,8.3X8.3X6.3MM	
C131	2203-005065	C-CERAMIC,CHIP	1000nF,+80-20%,10V,Y5V,TP,1608	
C132	2203-005065	C-CERAMIC,CHIP	1000nF,+80-20%,10V,Y5V,TP,1608	
C133	2203-005065	C-CERAMIC,CHIP	1000nF,+80-20%,10V,Y5V,TP,1608	
C134	2203-005065	C-CERAMIC,CHIP	1000nF,+80-20%,10V,Y5V,TP,1608	
C135	2203-005065	C-CERAMIC,CHIP	1000nF,+80-20%,10V,Y5V,TP,1608	
C136	2203-005065	C-CERAMIC,CHIP	1000nF,+80-20%,10V,Y5V,TP,1608	
C137	2203-005065	C-CERAMIC,CHIP	1000nF,+80-20%,10V,Y5V,TP,1608	
C138	2203-005065	C-CERAMIC,CHIP	1000nF,+80-20%,10V,Y5V,TP,1608	
C139	2203-005065	C-CERAMIC,CHIP	1000nF,+80-20%,10V,Y5V,TP,1608	
C14	2402-001044	C-AL,SMD	100UF,20%,25V,GP,TP,8.3X8.3X6.3MM	
C140	2203-005065	C-CERAMIC,CHIP	1000nF,+80-20%,10V,Y5V,TP,1608	
C141	2203-005065	C-CERAMIC,CHIP	1000nF,+80-20%,10V,Y5V,TP,1608	
C142	2203-000189	C-CERAMIC,CHIP	100nF,+80-20%,25V,Y5V,TP,1608,	
C143	2203-000189	C-CERAMIC,CHIP	100nF,+80-20%,25V,Y5V,TP,1608,	
C144	2203-000189	C-CERAMIC,CHIP	100nF,+80-20%,25V,Y5V,TP,1608,	
C145	2203-000189	C-CERAMIC,CHIP	100nF,+80-20%,25V,Y5V,TP,1608,	
C146	2203-000189	C-CERAMIC,CHIP	100nF,+80-20%,25V,Y5V,TP,1608,	
C147	2203-000189	C-CERAMIC,CHIP	100nF,+80-20%,25V,Y5V,TP,1608,	
C148	2203-000189	C-CERAMIC,CHIP	100nF,+80-20%,25V,Y5V,TP,1608,	
C15	2402-001086	C-AL,SMD	100UF,20%,16V,WT,TP,6.6X6.6X5.3	
C150	2203-000189	C-CERAMIC,CHIP	100nF,+80-20%,25V,Y5V,TP,1608,	
C154	2203-000257	C-CERAMIC,CHIP	10nF,10%,50V,X7R,TP,1608	
C155	2203-000257	C-CERAMIC,CHIP	10nF,10%,50V,X7R,TP,1608	
C156	2203-000257	C-CERAMIC,CHIP	10nF,10%,50V,X7R,TP,1608	
C157	2203-000257	C-CERAMIC,CHIP	10nF,10%,50V,X7R,TP,1608	
C158	2203-000257	C-CERAMIC,CHIP	10nF,10%,50V,X7R,TP,1608	
C159	2203-000257	C-CERAMIC,CHIP	10nF,10%,50V,X7R,TP,1608	
C160	2203-000257	C-CERAMIC,CHIP	10nF,10%,50V,X7R,TP,1608	
C162	2203-000236	C-CERAMIC,CHIP	0.1NF,5%,50V,COG,TP,1608	
C163	2203-000236	C-CERAMIC,CHIP	0.1NF,5%,50V,COG,TP,1608	
C17	2402-001042	C-AL,SMD	100uF,20%,16V,GP,TP,6.6x6.6x5.4mm	
C18	2402-001042	C-AL,SMD	100uF,20%,16V,GP,TP,6.6x6.6x5.4mm	
C19	2402-001042	C-AL,SMD	100uF,20%,16V,GP,TP,6.6x6.6x5.4mm	
C21	2402-000176	C-AL,SMD	10uF,20%,16V,GP,TP,4.3x4.3x5.4	
C210	2203-001417	C-CERAMIC,CHIP	0.036nF,5%,50V,NPO,TP,1608	
C211	2203-005065	C-CERAMIC,CHIP	1000nF,+80-20%,10V,Y5V,TP,1608	
C212	2203-005065	C-CERAMIC,CHIP	1000nF,+80-20%,10V,Y5V,TP,1608	
C213	2203-005065	C-CERAMIC,CHIP	1000nF,+80-20%,10V,Y5V,TP,1608	
C214	2203-005065	C-CERAMIC,CHIP	1000nF,+80-20%,10V,Y5V,TP,1608	
C215	2203-000189	C-CERAMIC,CHIP	100nF,+80-20%,25V,Y5V,TP,1608,	
C216	2203-000189	C-CERAMIC,CHIP	100nF,+80-20%,25V,Y5V,TP,1608,	
C217	2203-000189	C-CERAMIC,CHIP	100nF,+80-20%,25V,Y5V,TP,1608,	
C218	2203-000189	C-CERAMIC,CHIP	100nF,+80-20%,25V,Y5V,TP,1608,	
C219	2203-000189	C-CERAMIC,CHIP	100nF,+80-20%,25V,Y5V,TP,1608,	
C22	2402-000176	C-AL,SMD	10uF,20%,16V,GP,TP,4.3x4.3x5.4	
C220	2203-000189	C-CERAMIC,CHIP	100nF,+80-20%,25V,Y5V,TP,1608,	
C221	2203-000189	C-CERAMIC,CHIP	100nF,+80-20%,25V,Y5V,TP,1608,	
C222	2203-000189	C-CERAMIC,CHIP	100nF,+80-20%,25V,Y5V,TP,1608,	
C223	2203-000784	C-CERAMIC,CHIP	0.33NF,5%,50V,COG,TP,2012	
C224	2203-000784	C-CERAMIC,CHIP	0.33NF,5%,50V,COG,TP,2012	
C225	2203-000257	C-CERAMIC,CHIP	10nF,10%,50V,X7R,TP,1608	
C226	2203-000236	C-CERAMIC,CHIP	0.1NF,5%,50V,COG,TP,1608	

Loc. No.	Code No.	Description	Specification	Remarks
C227	2203-000236	C-CERAMIC,CHIP	0.1NF,5%,50V,COG,TP,1608	
C228	2203-000236	C-CERAMIC,CHIP	0.1NF,5%,50V,COG,TP,1608	
C229	2203-000236	C-CERAMIC,CHIP	0.1NF,5%,50V,COG,TP,1608	
C23	2402-000176	C-AL,SMD	10uF,20%,16V,GP,TP,4.3x4.3x5.4	
C230	2203-000236	C-CERAMIC,CHIP	0.1NF,5%,50V,COG,TP,1608	
C231	2203-000236	C-CERAMIC,CHIP	0.1NF,5%,50V,COG,TP,1608	
C232	2203-000236	C-CERAMIC,CHIP	0.1NF,5%,50V,COG,TP,1608	
C233	2203-000236	C-CERAMIC,CHIP	0.1NF,5%,50V,COG,TP,1608	
C234	2203-000236	C-CERAMIC,CHIP	0.1NF,5%,50V,COG,TP,1608	
C24	2402-001042	C-AL,SMD	100uF,20%,16V,GP,TP,6.6x6.6x5.4mm	
C25	2402-001006	C-AL,SMD	4.7uF,20%,25V,GP,TP,3.6x6.3x3.	
C26	2402-001006	C-AL,SMD	4.7uF,20%,25V,GP,TP,3.6x6.3x3.	
C27	2203-001077	C-CERAMIC,CHIP	0.056nF,5%,50V,NPO,TP,2012	
C28	2203-001077	C-CERAMIC,CHIP	0.056nF,5%,50V,NPO,TP,2012	
C29	2203-001417	C-CERAMIC,CHIP	0.036nF,5%,50V,NPO,TP,1608	
C31	2402-000176	C-AL,SMD	10uF,20%,16V,GP,TP,4.3x4.3x5.4	
C314	2402-001006	C-AL,SMD	4.7uF,20%,25V,GP,TP,3.6x6.3x3.	
C315	2402-001006	C-AL,SMD	4.7uF,20%,25V,GP,TP,3.6x6.3x3.	
C317	2402-000108	C-AL,SMD	10uF,20%,16V,WT,TP,4.3x4.3x5.4	
C318	2402-000179	C-AL,SMD	47uF,20%,16V,GP,TP,6.6x6.6x5.4	
C319	2402-000179	C-AL,SMD	47uF,20%,16V,GP,TP,6.6x6.6x5.4	
C32	2203-000697	C-CERAMIC,CHIP	0.002NF,0.25PF,50V,COG,TP,1608	
C321	2203-005065	C-CERAMIC,CHIP	1000nF,+80-20%,10V,Y5V,TP,1608	
C3246	2402-000176	C-AL,SMD	10uF,20%,16V,GP,TP,4.3x4.3x5.4	
C329	2203-000189	C-CERAMIC,CHIP	100nF,+80-20%,25V,Y5V,TP,1608,	
C33	2203-000697	C-CERAMIC,CHIP	0.002NF,0.25PF,50V,COG,TP,1608	
C330	2203-000189	C-CERAMIC,CHIP	100nF,+80-20%,25V,Y5V,TP,1608,	
C3300	2402-000176	C-AL,SMD	10uF,20%,16V,GP,TP,4.3x4.3x5.4	
C331	2203-000189	C-CERAMIC,CHIP	100nF,+80-20%,25V,Y5V,TP,1608,	
C332	2203-000189	C-CERAMIC,CHIP	100nF,+80-20%,25V,Y5V,TP,1608,	
C333	2203-000189	C-CERAMIC,CHIP	100nF,+80-20%,25V,Y5V,TP,1608,	
C334	2203-000189	C-CERAMIC,CHIP	100nF,+80-20%,25V,Y5V,TP,1608,	
C335	2203-000189	C-CERAMIC,CHIP	100nF,+80-20%,25V,Y5V,TP,1608,	
C336	2203-000189	C-CERAMIC,CHIP	100nF,+80-20%,25V,Y5V,TP,1608,	
C337	2203-000189	C-CERAMIC,CHIP	100nF,+80-20%,25V,Y5V,TP,1608,	
C338	2203-000189	C-CERAMIC,CHIP	100nF,+80-20%,25V,Y5V,TP,1608,	
C339	2203-000189	C-CERAMIC,CHIP	100nF,+80-20%,25V,Y5V,TP,1608,	
C3390	2402-000176	C-AL,SMD	10uF,20%,16V,GP,TP,4.3x4.3x5.4	
C34	2203-000697	C-CERAMIC,CHIP	0.002NF,0.25PF,50V,COG,TP,1608	
C340	2203-000189	C-CERAMIC,CHIP	100nF,+80-20%,25V,Y5V,TP,1608,	
C341	2203-000189	C-CERAMIC,CHIP	100nF,+80-20%,25V,Y5V,TP,1608,	
C342	2203-000189	C-CERAMIC,CHIP	100nF,+80-20%,25V,Y5V,TP,1608,	
C343	2203-000189	C-CERAMIC,CHIP	100nF,+80-20%,25V,Y5V,TP,1608,	
C344	2203-000189	C-CERAMIC,CHIP	100nF,+80-20%,25V,Y5V,TP,1608,	
C345	2203-000189	C-CERAMIC,CHIP	100nF,+80-20%,25V,Y5V,TP,1608,	
C346	2203-000189	C-CERAMIC,CHIP	100nF,+80-20%,25V,Y5V,TP,1608,	
C347	2203-000189	C-CERAMIC,CHIP	100nF,+80-20%,25V,Y5V,TP,1608,	
C348	2203-000189	C-CERAMIC,CHIP	100nF,+80-20%,25V,Y5V,TP,1608,	
C349	2203-000189	C-CERAMIC,CHIP	100nF,+80-20%,25V,Y5V,TP,1608,	
C35	2203-005065	C-CERAMIC,CHIP	1000nF,+80-20%,10V,Y5V,TP,1608	
C350	2203-000189	C-CERAMIC,CHIP	100nF,+80-20%,25V,Y5V,TP,1608,	
C351	2203-000189	C-CERAMIC,CHIP	100nF,+80-20%,25V,Y5V,TP,1608,	
C352	2203-000189	C-CERAMIC,CHIP	100nF,+80-20%,25V,Y5V,TP,1608,	
C353	2203-000189	C-CERAMIC,CHIP	100nF,+80-20%,25V,Y5V,TP,1608,	
C354	2203-000189	C-CERAMIC,CHIP	100nF,+80-20%,25V,Y5V,TP,1608,	
C355	2203-000189	C-CERAMIC,CHIP	100nF,+80-20%,25V,Y5V,TP,1608,	
C3552	2402-000176	C-AL,SMD	10uF,20%,16V,GP,TP,4.3x4.3x5.4	
C356	2203-000189	C-CERAMIC,CHIP	100nF,+80-20%,25V,Y5V,TP,1608,	
C357	2203-000189	C-CERAMIC,CHIP	100nF,+80-20%,25V,Y5V,TP,1608,	
C358	2203-000189	C-CERAMIC,CHIP	100nF,+80-20%,25V,Y5V,TP,1608,	
C359	2203-000189	C-CERAMIC,CHIP	100nF,+80-20%,25V,Y5V,TP,1608,	
C36	2203-005065	C-CERAMIC,CHIP	1000nF,+80-20%,10V,Y5V,TP,1608	
C360	2203-000189	C-CERAMIC,CHIP	100nF,+80-20%,25V,Y5V,TP,1608,	
C361	2203-000189	C-CERAMIC,CHIP	100nF,+80-20%,25V,Y5V,TP,1608,	
C362	2203-000189	C-CERAMIC,CHIP	100nF,+80-20%,25V,Y5V,TP,1608,	
C363	2203-000189	C-CERAMIC,CHIP	100nF,+80-20%,25V,Y5V,TP,1608,	
C365	2203-000440	C-CERAMIC,CHIP	1nF,10%,50V,X7R,TP,1608,-	

Loc. No.	Code No.	Description	Specification	Remarks
C366	2203-000440	C-CERAMIC,CHIP	1nF,10%,50V,X7R,TP,1608,-	
C367	2203-000440	C-CERAMIC,CHIP	1nF,10%,50V,X7R,TP,1608,-	
C368	2203-000440	C-CERAMIC,CHIP	1nF,10%,50V,X7R,TP,1608,-	
C3688	2402-000176	C-AL,SMD	10uF,20%,16V,GP,TP,4.3x4.3x5.4	
C369	2203-000440	C-CERAMIC,CHIP	1nF,10%,50V,X7R,TP,1608,-	
C37	2203-005065	C-CERAMIC,CHIP	1000nF,+80-20%,10V,Y5V,TP,1608	
C370	2203-000440	C-CERAMIC,CHIP	1nF,10%,50V,X7R,TP,1608,-	
C372	2203-005005	C-CERAMIC,CHIP	100nF,10%,16V,X7R,TP,1608	
C373	2203-000257	C-CERAMIC,CHIP	10nF,10%,50V,X7R,TP,1608	
C374	2203-000257	C-CERAMIC,CHIP	10nF,10%,50V,X7R,TP,1608	
C375	2203-000257	C-CERAMIC,CHIP	10nF,10%,50V,X7R,TP,1608	
C376	2203-000257	C-CERAMIC,CHIP	10nF,10%,50V,X7R,TP,1608	
C3782	2402-000176	C-AL,SMD	10uF,20%,16V,GP,TP,4.3x4.3x5.4	
C383	2203-000257	C-CERAMIC,CHIP	10nF,10%,50V,X7R,TP,1608	
C384	2203-000384	C-CERAMIC,CHIP	0.015NF,5%,50V,COG,TP,1608	
C3890	2402-000144	C-AL,SMD	3.3uF,20%,50V,GP,TP,4.3x4.3x5.4	
C39	2203-000189	C-CERAMIC,CHIP	100nF,+80-20%,25V,Y5V,TP,1608,	
C41	2203-000903	C-CERAMIC,CHIP	0.0047NF,0.25PF,50V,COG,TP,1608	
C410	2203-000189	C-CERAMIC,CHIP	100nF,+80-20%,25V,Y5V,TP,1608,	
C411	2203-000257	C-CERAMIC,CHIP	10nF,10%,50V,X7R,TP,1608	
C412	2203-000257	C-CERAMIC,CHIP	10nF,10%,50V,X7R,TP,1608	
C413	2203-000257	C-CERAMIC,CHIP	10nF,10%,50V,X7R,TP,1608	
C414	2203-002793	C-CERAMIC,CHIP	1000nF,+80-20%,25V,Y5V,TP,2012	
C415	2203-005065	C-CERAMIC,CHIP	1000nF,+80-20%,10V,Y5V,TP,1608	
C416	2203-005065	C-CERAMIC,CHIP	1000nF,+80-20%,10V,Y5V,TP,1608	
C417	2203-005065	C-CERAMIC,CHIP	1000nF,+80-20%,10V,Y5V,TP,1608	
C418	2203-005065	C-CERAMIC,CHIP	1000nF,+80-20%,10V,Y5V,TP,1608	
C4186	2402-001042	C-AL,SMD	100uF,20%,16V,GP,TP,6.6x6.6x5.4mm	
C419	2203-005065	C-CERAMIC,CHIP	1000nF,+80-20%,10V,Y5V,TP,1608	
C42	2203-000189	C-CERAMIC,CHIP	100nF,+80-20%,25V,Y5V,TP,1608,	
C420	2203-005065	C-CERAMIC,CHIP	1000nF,+80-20%,10V,Y5V,TP,1608	
C424	2203-000440	C-CERAMIC,CHIP	1nF,10%,50V,X7R,TP,1608,-	
C426	2203-000784	C-CERAMIC,CHIP	0.33NF,5%,50V,COG,TP,2012	
C427	2203-000236	C-CERAMIC,CHIP	0.1NF,5%,50V,COG,TP,1608	
C428	2203-000236	C-CERAMIC,CHIP	0.1NF,5%,50V,COG,TP,1608	
C43	2203-000972	C-CERAMIC,CHIP	47nF,10%,16V,X7R,TP,1608	
C430	2203-000280	C-CERAMIC,CHIP	0.01NF,0.5PF,50V,COG,TP,1608	
C431	2203-000998	C-CERAMIC,CHIP	0.047NF,5%,50V,COG,TP,1608	
C432	2203-000189	C-CERAMIC,CHIP	100nF,+80-20%,25V,Y5V,TP,1608,	
C433	2203-000189	C-CERAMIC,CHIP	100nF,+80-20%,25V,Y5V,TP,1608,	
C434	2203-000189	C-CERAMIC,CHIP	100nF,+80-20%,25V,Y5V,TP,1608,	
C437	2203-000189	C-CERAMIC,CHIP	100nF,+80-20%,25V,Y5V,TP,1608,	
C438	2203-000189	C-CERAMIC,CHIP	100nF,+80-20%,25V,Y5V,TP,1608,	
C439	2203-000257	C-CERAMIC,CHIP	10nF,10%,50V,X7R,TP,1608	
C44	2203-000972	C-CERAMIC,CHIP	47nF,10%,16V,X7R,TP,1608	
C441	2203-000257	C-CERAMIC,CHIP	10nF,10%,50V,X7R,TP,1608	
C442	2203-000257	C-CERAMIC,CHIP	10nF,10%,50V,X7R,TP,1608	
C443	2203-000552	C-CERAMIC,CHIP	0.02NF,5%,50V,COG,TP,1608	
C444	2203-000552	C-CERAMIC,CHIP	0.02NF,5%,50V,COG,TP,1608	
C445	2203-000626	C-CERAMIC,CHIP	0.022NF,5%,50V,COG,TP,1608	
C446	2203-000626	C-CERAMIC,CHIP	0.022NF,5%,50V,COG,TP,1608	
C4482	2203-000236	C-CERAMIC,CHIP	0.1NF,5%,50V,COG,TP,1608	
C449	2203-001656	C-CERAMIC,CHIP	0.47nF,5%,50V,NPO,TP,1608	
C45	2203-000189	C-CERAMIC,CHIP	100nF,+80-20%,25V,Y5V,TP,1608,	
C450	2203-000972	C-CERAMIC,CHIP	47nF,10%,16V,X7R,TP,1608	
C451	2203-000972	C-CERAMIC,CHIP	47nF,10%,16V,X7R,TP,1608	
C452	2203-000972	C-CERAMIC,CHIP	47nF,10%,16V,X7R,TP,1608	
C46	2203-000189	C-CERAMIC,CHIP	100nF,+80-20%,25V,Y5V,TP,1608,	
C47	2203-005065	C-CERAMIC,CHIP	1000nF,+80-20%,10V,Y5V,TP,1608	
C4728	2402-000176	C-AL,SMD	10uF,20%,16V,GP,TP,4.3x4.3x5.4	
C48	2203-005065	C-CERAMIC,CHIP	1000nF,+80-20%,10V,Y5V,TP,1608	
C4845	2203-000972	C-CERAMIC,CHIP	47nF,10%,16V,X7R,TP,1608	
C49	2203-005065	C-CERAMIC,CHIP	1000nF,+80-20%,10V,Y5V,TP,1608	
C51	2203-000140	C-CERAMIC,CHIP	1.5nF,10%,50V,X7R,TP,1608,-	
C510	2402-001042	C-AL,SMD	100uF,20%,16V,GP,TP,6.6x6.6x5.4mm	
C511	2402-001042	C-AL,SMD	100uF,20%,16V,GP,TP,6.6x6.6x5.4mm	
C512	2402-001042	C-AL,SMD	100uF,20%,16V,GP,TP,6.6x6.6x5.4mm	

7 Electrical Parts List

Loc. No.	Code No.	Description	Specification	Remarks
C513	2402-001042	C-AL,SMD	100uF,20%,16V,GP,TP,6.6x6.6x5.4mm	
C514	2402-001042	C-AL,SMD	100uF,20%,16V,GP,TP,6.6x6.6x5.4mm	
C515	2402-001157	C-AL,SMD	0.33UF,20%,50V,GP,TP,4X5.2MM	
C516	2402-001157	C-AL,SMD	0.33UF,20%,50V,GP,TP,4X5.2MM	
C517	2402-001006	C-AL,SMD	4.7uF,20%,25V,GP,TP,3.6x6.3x3.	
C518	2402-001006	C-AL,SMD	4.7uF,20%,25V,GP,TP,3.6x6.3x3.	
C519	2402-001006	C-AL,SMD	4.7uF,20%,25V,GP,TP,3.6x6.3x3.	
C52	2203-000140	C-CERAMIC,CHIP	1.5nF,10%,50V,X7R,TP,1608,-	
C520	2402-001006	C-AL,SMD	4.7uF,20%,25V,GP,TP,3.6x6.3x3.	
C521	2402-000170	C-AL,SMD	1uF,20%,50V,GP,TP,4.3x4.3x5.4,	
C522	2203-001077	C-CERAMIC,CHIP	0.056nF,5%,50V,NPO,TP,2012	
C523	2203-001077	C-CERAMIC,CHIP	0.056nF,5%,50V,NPO,TP,2012	
C5239	2402-000176	C-AL,SMD	10uF,20%,16V,GP,TP,4.3x4.3x5.4	
C524	2203-001077	C-CERAMIC,CHIP	0.056nF,5%,50V,NPO,TP,2012	
C5244	2402-000144	C-AL,SMD	3.3uF,20%,50V,GP,TP,4.3x4.3x5.	
C5247	2402-001042	C-AL,SMD	100uF,20%,16V,GP,TP,6.6x6.6x5.4mm	
C525	2203-000903	C-CERAMIC,CHIP	0.0047NF,0.25PF,50V,COG,TP,1608	
C5251	2203-001077	C-CERAMIC,CHIP	0.056nF,5%,50V,NPO,TP,2012	
C5252	2203-001077	C-CERAMIC,CHIP	0.056nF,5%,50V,NPO,TP,2012	
C5253	2203-000236	C-CERAMIC,CHIP	0.1NF,5%,50V,COG,TP,1608	
C526	2203-000903	C-CERAMIC,CHIP	0.0047NF,0.25PF,50V,COG,TP,1608	
C527	2203-000189	C-CERAMIC,CHIP	100nF,+80-20%,25V,Y5V,TP,1608,	
C528	2203-000189	C-CERAMIC,CHIP	100nF,+80-20%,25V,Y5V,TP,1608,	
C529	2203-000189	C-CERAMIC,CHIP	100nF,+80-20%,25V,Y5V,TP,1608,	
C53	2203-000552	C-CERAMIC,CHIP	0.02NF,5%,50V,COG,TP,1608	
C530	2203-000189	C-CERAMIC,CHIP	100nF,+80-20%,25V,Y5V,TP,1608,	
C531	2203-000189	C-CERAMIC,CHIP	100nF,+80-20%,25V,Y5V,TP,1608,	
C532	2203-000189	C-CERAMIC,CHIP	100nF,+80-20%,25V,Y5V,TP,1608,	
C533	2203-000189	C-CERAMIC,CHIP	100nF,+80-20%,25V,Y5V,TP,1608,	
C534	2203-000189	C-CERAMIC,CHIP	100nF,+80-20%,25V,Y5V,TP,1608,	
C535	2203-000189	C-CERAMIC,CHIP	100nF,+80-20%,25V,Y5V,TP,1608,	
C536	2203-000189	C-CERAMIC,CHIP	100nF,+80-20%,25V,Y5V,TP,1608,	
C537	2203-000189	C-CERAMIC,CHIP	100nF,+80-20%,25V,Y5V,TP,1608,	
C538	2203-000189	C-CERAMIC,CHIP	100nF,+80-20%,25V,Y5V,TP,1608,	
C539	2203-000189	C-CERAMIC,CHIP	100nF,+80-20%,25V,Y5V,TP,1608,	
C54	2402-000176	C-AL,SMD	10uF,20%,16V,GP,TP,4.3x4.3x5.4	
C540	2203-000440	C-CERAMIC,CHIP	1nF,10%,50V,X7R,TP,1608,-	
C541	2203-000440	C-CERAMIC,CHIP	1nF,10%,50V,X7R,TP,1608,-	
C542	2203-000140	C-CERAMIC,CHIP	1.5nF,10%,50V,X7R,TP,1608,-	
C543	2203-000140	C-CERAMIC,CHIP	1.5nF,10%,50V,X7R,TP,1608,-	
C544	2203-000140	C-CERAMIC,CHIP	1.5nF,10%,50V,X7R,TP,1608,-	
C545	2203-000236	C-CERAMIC,CHIP	0.1NF,5%,50V,COG,TP,1608	
C546	2203-000236	C-CERAMIC,CHIP	0.1NF,5%,50V,COG,TP,1608	
C547	2203-000236	C-CERAMIC,CHIP	0.1NF,5%,50V,COG,TP,1608	
C548	2203-000236	C-CERAMIC,CHIP	0.1NF,5%,50V,COG,TP,1608	
C549	2203-000236	C-CERAMIC,CHIP	0.1NF,5%,50V,COG,TP,1608	
C55	2402-000176	C-AL,SMD	10uF,20%,16V,GP,TP,4.3x4.3x5.4	
C550	2203-000236	C-CERAMIC,CHIP	0.1NF,5%,50V,COG,TP,1608	
C551	2402-001157	C-AL,SMD	0.33UF,20%,50V,GP,TP,4X5.2MM	
C552	2402-001157	C-AL,SMD	0.33UF,20%,50V,GP,TP,4X5.2MM	
C553	2203-001656	C-CERAMIC,CHIP	0.47nF,5%,50V,NPO,TP,1608	
C554	2203-001656	C-CERAMIC,CHIP	0.47nF,5%,50V,NPO,TP,1608	
C555	2203-001656	C-CERAMIC,CHIP	0.47nF,5%,50V,NPO,TP,1608	
C556	2203-005015	C-CERAMIC,CHIP	150nF,+80-20%,16V,Y5V,TP,1608	
C557	2203-005015	C-CERAMIC,CHIP	150nF,+80-20%,16V,Y5V,TP,1608	
C558	2203-005015	C-CERAMIC,CHIP	150nF,+80-20%,16V,Y5V,TP,1608	
C559	2203-005015	C-CERAMIC,CHIP	150nF,+80-20%,16V,Y5V,TP,1608	
C56	2402-000176	C-AL,SMD	10uF,20%,16V,GP,TP,4.3x4.3x5.4	
C560	2203-005015	C-CERAMIC,CHIP	150nF,+80-20%,16V,Y5V,TP,1608	
C561	2203-005015	C-CERAMIC,CHIP	150nF,+80-20%,16V,Y5V,TP,1608	
C562	2203-005015	C-CERAMIC,CHIP	150nF,+80-20%,16V,Y5V,TP,1608	
C563	2203-005015	C-CERAMIC,CHIP	150nF,+80-20%,16V,Y5V,TP,1608	
C564	2203-005015	C-CERAMIC,CHIP	150nF,+80-20%,16V,Y5V,TP,1608	
C565	2203-005015	C-CERAMIC,CHIP	150nF,+80-20%,16V,Y5V,TP,1608	
C566	2203-005015	C-CERAMIC,CHIP	150nF,+80-20%,16V,Y5V,TP,1608	
C567	2203-005015	C-CERAMIC,CHIP	150nF,+80-20%,16V,Y5V,TP,1608	
C568	2203-005015	C-CERAMIC,CHIP	150nF,+80-20%,16V,Y5V,TP,1608	

Loc. No.	Code No.	Description	Specification	Remarks
C569	2203-005015	C-CERAMIC,CHIP	150nF,+80-20%,16V,Y5V,TP,1608	
C57	2402-000176	C-AL,SMD	10uF,20%,16V,GP,TP,4.3x4.3x5.4	
C570	2203-001607	C-CERAMIC,CHIP	0.22nF,5%,50V,NPO,TP,1608	
C571	2203-000701	C-CERAMIC,CHIP	0.002NF,0.25PF,50V,COG,TP,2012	
C572	2203-000701	C-CERAMIC,CHIP	0.002NF,0.25PF,50V,COG,TP,2012	
C573	2203-000972	C-CERAMIC,CHIP	47nF,10%,16V,X7R,TP,1608	
C574	2203-000715	C-CERAMIC,CHIP	3.3nF,10%,50V,X7R,TP,1608,-	
C575	2203-000715	C-CERAMIC,CHIP	3.3nF,10%,50V,X7R,TP,1608,-	
C576	2203-002793	C-CERAMIC,CHIP	1000nF,+80-20%,25V,Y5V,TP,2012	
C58	2402-001042	C-AL,SMD	100uF,20%,16V,GP,TP,6.6x6.6x5.4mm	
C59	2402-001042	C-AL,SMD	100uF,20%,16V,GP,TP,6.6x6.6x5.4mm	
C61	2402-000176	C-AL,SMD	10uF,20%,16V,GP,TP,4.3x4.3x5.4	
C610	2203-000189	C-CERAMIC,CHIP	100nF,+80-20%,25V,Y5V,TP,1608,	
C611	2203-000189	C-CERAMIC,CHIP	100nF,+80-20%,25V,Y5V,TP,1608,	
C612	2203-000189	C-CERAMIC,CHIP	100nF,+80-20%,25V,Y5V,TP,1608,	
C613	2203-000189	C-CERAMIC,CHIP	100nF,+80-20%,25V,Y5V,TP,1608,	
C614	2203-000189	C-CERAMIC,CHIP	100nF,+80-20%,25V,Y5V,TP,1608,	
C615	2203-000189	C-CERAMIC,CHIP	100nF,+80-20%,25V,Y5V,TP,1608,	
C616	2203-000189	C-CERAMIC,CHIP	100nF,+80-20%,25V,Y5V,TP,1608,	
C617	2203-000189	C-CERAMIC,CHIP	100nF,+80-20%,25V,Y5V,TP,1608,	
C618	2203-000189	C-CERAMIC,CHIP	100nF,+80-20%,25V,Y5V,TP,1608,	
C619	2203-000189	C-CERAMIC,CHIP	100nF,+80-20%,25V,Y5V,TP,1608,	
C62	2402-000176	C-AL,SMD	10uF,20%,16V,GP,TP,4.3x4.3x5.4	
C620	2203-000189	C-CERAMIC,CHIP	100nF,+80-20%,25V,Y5V,TP,1608,	
C621	2203-000189	C-CERAMIC,CHIP	100nF,+80-20%,25V,Y5V,TP,1608,	
C622	2203-000189	C-CERAMIC,CHIP	100nF,+80-20%,25V,Y5V,TP,1608,	
C63	2402-000176	C-AL,SMD	10uF,20%,16V,GP,TP,4.3x4.3x5.4	
C635	2203-000440	C-CERAMIC,CHIP	1nF,10%,50V,X7R,TP,1608,-	
C637	2203-000440	C-CERAMIC,CHIP	1nF,10%,50V,X7R,TP,1608,-	
C638	2203-000440	C-CERAMIC,CHIP	1nF,10%,50V,X7R,TP,1608,-	
C639	2203-000440	C-CERAMIC,CHIP	1nF,10%,50V,X7R,TP,1608,-	
C64	2402-000176	C-AL,SMD	10uF,20%,16V,GP,TP,4.3x4.3x5.4	
C640	2203-000440	C-CERAMIC,CHIP	1nF,10%,50V,X7R,TP,1608,-	
C65	2402-000135	C-AL,SMD	22uF,20%,16V,GP,TP,5.3x5.3x5.4	
C67	2203-000189	C-CERAMIC,CHIP	100nF,+80-20%,25V,Y5V,TP,1608,	
C68	2203-000189	C-CERAMIC,CHIP	100nF,+80-20%,25V,Y5V,TP,1608,	
C777	2402-001006	C-AL,SMD	4.7uF,20%,25V,GP,TP,3.6x6.3x3.	
C782	2402-001006	C-AL,SMD	4.7uF,20%,25V,GP,TP,3.6x6.3x3.	
CA31	2503-001018	C-NETWORK	15PFX4,10%,50V,-	
CA311	2503-001018	C-NETWORK	15PFX4,10%,50V,-	
CA312	2503-001018	C-NETWORK	15PFX4,10%,50V,-	
CA313	2503-001018	C-NETWORK	15PFX4,10%,50V,-	
CA314	2503-001018	C-NETWORK	15PFX4,10%,50V,-	
CA315	2503-001018	C-NETWORK	15PFX4,10%,50V,-	
CA32	2503-001018	C-NETWORK	15PFX4,10%,50V,-	
CA33	2503-001018	C-NETWORK	15PFX4,10%,50V,-	
CA330	2503-001018	C-NETWORK	15PFX4,10%,50V,-	
CA34	2503-001018	C-NETWORK	15PFX4,10%,50V,-	
CA35	2503-001018	C-NETWORK	15PFX4,10%,50V,-	
CA36	2503-001018	C-NETWORK	15PFX4,10%,50V,-	
CIS	0202-001162	SOLDER-CREAM	RMA-20-21L,S63,-,SN63/PB36.6/AG0.4,FLUX9.5%	SNA
CN13	3711-002046	CONNECTOR-HEADER	BOX,12P,1R,1.25MM,SMD-S,SN,WHT	SNA
CN21	3711-002127	CONNECTOR-HEADER	BOX,8P,1R,1.25mm,SMD-A,SN	SNA
CN22	3711-002049	CONNECTOR-HEADER	BOX,6P,1R,1.25mm,SMD-A,SN	SNA
CN26	3711-000556	CONNECTOR-HEADER	BOX,12P,1R,1.25mm,SMD-A,SN	SNA
CN62	3711-004070	CONNECTOR-HEADER	BOX,30P,1R,1.25mm,SMD-A,SN	SNA
D11	0402-000553	DIODE-RECTIFIER	SS24,40V,2.0A,DO-214AA	
D12	0402-000553	DIODE-RECTIFIER	SS24,40V,2.0A,DO-214AA	
D14	0403-000579	DIODE-ZENER	BZX84C5V1,5.1V,5%,200mW,SOT-23	
D15	0401-001056	DIODE-SWITCHING	MMBD4148SE,75V,200MA,SOT-23,TP	
D16	0401-001056	DIODE-SWITCHING	MMBD4148SE,75V,200MA,SOT-23,TP	
D17	0401-001056	DIODE-SWITCHING	MMBD4148SE,75V,200MA,SOT-23,TP	
D18	0403-001435	DIODE-ZENER	OZX363C5V6,5.32-5.88,200MW,SOT-363,TP	
D21	0403-001052	DIODE-ZENER	RD8.2MB,8.2V,7.7-8.64V,200mW,S	
D210	0403-000579	DIODE-ZENER	BZX84C5V1,5.1V,5%,200mW,SOT-23	
D211	0403-000579	DIODE-ZENER	BZX84C5V1,5.1V,5%,200mW,SOT-23	
D22	0403-001052	DIODE-ZENER	RD8.2MB,8.2V,7.7-8.64V,200mW,S	

Loc. No.	Code No.	Description	Specification	Remarks
D220	0403-001052	DIODE-ZENER	RD8.2MB,8.2V,7.7-8.64V,200mW,S	
D23	0403-001052	DIODE-ZENER	RD8.2MB,8.2V,7.7-8.64V,200mW,S	
D237	0403-001052	DIODE-ZENER	RD8.2MB,8.2V,7.7-8.64V,200mW,S	
D238	0403-001435	DIODE-ZENER	QZX363C5V6,5.32-5.88,200mW,SOT-363,TP	
D239	0403-001052	DIODE-ZENER	RD8.2MB,8.2V,7.7-8.64V,200mW,S	
D29	0403-000579	DIODE-ZENER	BZX84C5V1,5.1V,5%,200mW,SOT-23	
D41	0401-001056	DIODE-SWITCHING	MMBD4148SE,75V,200MA,SOT-23,TP	
D43	0403-001382	DIODE-ZENER	UDZ33B,32.15-33.79V,200mW,SOD-323,TP	
D55	0403-001052	DIODE-ZENER	RD8.2MB,8.2V,7.7-8.64V,200mW,S	
DB21	3301-001163	CORE-FERRITE BEAD	AB,80ohm,2x1.25x1mm,300mA,TP,FERRITE,0.08ohm	
FT11	3301-001145	CORE-FERRITE BEAD	AB,4.5x1.6x1.6mm,-,-	SNA
FT12	3301-001145	CORE-FERRITE BEAD	AB,4.5x1.6x1.6mm,-,-	SNA
FT13	3301-001145	CORE-FERRITE BEAD	AB,4.5x1.6x1.6mm,-,-	SNA
FT14	3301-001145	CORE-FERRITE BEAD	AB,4.5x1.6x1.6mm,-,-	SNA
FT31	2901-001133	FILTER-EMI SMD	25V,0.15A,-,33pf,2x1.25x0.8mm,TP	
FT32	3301-001145	CORE-FERRITE BEAD	AB,4.5x1.6x1.6mm,-,-	SNA
FT51	3301-001145	CORE-FERRITE BEAD	AB,4.5x1.6x1.6mm,-,-	SNA
FT52	3301-001145	CORE-FERRITE BEAD	AB,4.5x1.6x1.6mm,-,-	SNA
FT61	3301-001145	CORE-FERRITE BEAD	AB,4.5x1.6x1.6mm,-,-	SNA
FT62	3301-001145	CORE-FERRITE BEAD	AB,4.5x1.6x1.6mm,-,-	SNA
FT63	3301-001145	CORE-FERRITE BEAD	AB,4.5x1.6x1.6mm,-,-	SNA
FT66	3301-001145	CORE-FERRITE BEAD	AB,4.5x1.6x1.6mm,-,-	SNA
IC109	1203-002410	IC-POSI.ADJUST REG.	KA317MR,D-PAK,3P,240MIL,PLASTIC,40V,-,0TO+125C,0.5A,1.2/1.3V,TP	
IC11	1203-001448	IC-SWITCH VOL. REG.	2596,TO-263,5P,-,PLASTIC,4.750	
IC110	0803-000117	IC-TTL	74F14,INVERTER,SOP,14P,150MIL,	
IC111	0505-001170	FET-SILICON	SI9933ADY-T1,P,-20V,3.4A,0.06ohm,2W,SO-8	
IC112	0505-001170	FET-SILICON	SI9933ADY-T1,P,-20V,3.4A,0.06ohm,2W,SO-8	
IC13	1203-002454	IC-VOLTAGE REGULATOR	FAN1117A,TO-252,3P,257MIL,PLASTIC,1.764V/1.836V,-,0TO+125C,1A,1.225/1.275V,TP	
IC14	1203-001293	IC-POSI.FIXED REG.	033,TO-252,3P,6.5MIL,PLASTIC,3	
IC16	1203-001447	IC-POSI.FIXED REG.	2596,TO-263,5P,-,PLASTIC,3.135	
IC17	1203-001465	IC-POSI.ADJUST REG.	317,TO-263,3P,-,PLASTIC,1.2/37	
IC18	1103-000138	IC-EEPROM	24C16,2Kx8BIT,SOP,8P,150MIL,10	
IC19	1103-001164	IC-EEPROM	24LC21A,128x8BIT,SOP,8P,150MIL,-,5V,10%,PLASTIC,0 TO +70C,100UA,CMOS,TP	
IC21	1203-001109	IC-VOL. DETECTOR	7045,SOT-89,3P,-,PLASTIC,4.3/4	
IC22_SOCKET	3704-000250	SOCKET-IC	32P,PLCC,SN,-	
IC23	0903-001202	IC-MICROCONTROLLER	80251G2,8BIT,PLCC,44P,653MIL,24MHz,TR,CMOS,PLASTIC,5V,1.5V,0to+70C,1KBYTE,-,24BI	SNA
IC24	0803-000117	IC-TTL	74F14,INVERTER,SOP,14P,150MIL,	
IC25	0801-002268	IC-CMOS LOGIC	74VHC139,DECODER,SOIC,16P,150MIL,DUAL,TP,PLASTIC,TRI-STATE,-,0.26V,-40TO+85C,180	
IC26	0801-000411	IC-CMOS LOGIC	74HC32,OR GATE,SOP,14P,150MIL,QUAD,TP,PLASTIC,-,0.26V,-40TO+85C,180mW,4.2V,1UA	
IC27	0801-000411	IC-CMOS LOGIC	74HC32,OR GATE,SOP,14P,150MIL,QUAD,TP,PLASTIC,-,0.26V,-40TO+85C,180mW,4.2V,1UA	
IC28	0802-001108	IC-BICMOS LOGIC	74ABT573,LATCH,TSSOP,20P,173MIL,8,TR,PLASTIC,3-STATE,-,0.55V,-65TO+150C,-,0.8V,5	
IC31	1204-001551	IC-VIDEO SYSTEM	GS1881,SOIC,8P,150MIL,PLASTIC,13.2V,-,0TO+70C,TP,VIDEO SYNC SEPARATOR	
IC32	1205-002028	IC-LCD CONTROLLER	JAGASM,BGA,388P,208MIL,PALATIC,3.45V,2.5V,-40TO+125C,TR,DIGITAL DISPLAY PRO.	
IC401	1204-001997	IC-DECODER	VSP9415B-B11,MQFP,80P,14X14MM,PLASTIC,3.47V,1.1W,0TO+70C,TR,OPTIMUS	
IC41	1103-001023	IC-EEPROM	524C80D81,1028x8BIT,SOP,8P,150MIL,10ms,5V,10%,PLASTIC,0to+70C,110uA,CMOS,TP	
IC51	1201-001495	IC-AUDIO AMP	7050,SOP,8P,150MIL,DUAL,26DB,PLASTIC,6V,0.25W,-,40DB,-,20NA,-	
IC52	1203-001816	IC-POSI.FIXED REG.	78M08,TO-252,3P,-,PLASTIC,7.7/8.3V,1.0W,-40TO+85C,0.5A,-,TP	
IC53	1204-002048	IC-SOUND PROCESSOR	MSP3411G-QA-88V3,PQFP,80P,20X14MM,PLASTIC,8.7V,1W,0TO+70C,TR,-	
IC54	1203-001779	IC-POSI.FIXED REG.	7812,D2PAK,3P,-,PLASTIC,11.5/12.5V,-,40TO+125CC,1A,-,TP	
IC55	1201-001681	IC-AUDIO AMP	1101,SOP,30P,433MIL,-,PLASTIC,13.2V,-,0to+70C,-,-,-,-,TP	
IC61	1205-001740	IC-TRANSMITTER	DS90C385,TSSOP,56P,240MIL,PLASTIC,4V,1.63W,-10 TO +70C,ST,FPD LINK-85MHZ(LVDS)	
IC62	1205-001740	IC-TRANSMITTER	DS90C385,TSSOP,56P,240MIL,PLASTIC,4V,1.63W,-10 TO +70C,ST,FPD LINK-85MHZ(LVDS)	
IC64	1105-001391	IC-DRAM	EM638325,2MX32BIT,TSOP(I),86P,400MIL,60NS,3.3V,10%,PLASTIC,0TO+70C,3MA,-,TR	
L11	3301-001145	CORE-FERRITE BEAD	AB,4.5x1.6x1.6mm,-,-	SNA
L111	BN27-00002A	COIL-CHOKE(SMD)	47uH,47uH,20%,12*12*8mm,22.5Ts,SMD,-,-,0.75ohm,-,-,-,TP	
L113	2703-001334	INDUCTOR-SMD	1.5uH,10%,2x1.25x0.85mm	
L114	2703-001334	INDUCTOR-SMD	1.5uH,10%,2x1.25x0.85mm	
L115	2703-001334	INDUCTOR-SMD	1.5uH,10%,2x1.25x0.85mm	
L116	BN27-20001A	COIL-CHOKE	-53.0UH,20%,DR10*5,-,-,-,0.18ohm,-,-,-,TRAY	
L117	2703-001778	INDUCTOR-SMD	3.3UH,20%,3.2X2.5X2.2MM	
L118	2703-001778	INDUCTOR-SMD	3.3UH,20%,3.2X2.5X2.2MM	
L12	3301-001145	CORE-FERRITE BEAD	AB,4.5x1.6x1.6mm,-,-	SNA
L13	3301-001145	CORE-FERRITE BEAD	AB,4.5x1.6x1.6mm,-,-	SNA
L14	3301-001145	CORE-FERRITE BEAD	AB,4.5x1.6x1.6mm,-,-	SNA
L15	3301-001145	CORE-FERRITE BEAD	AB,4.5x1.6x1.6mm,-,-	SNA
L19	3301-001145	CORE-FERRITE BEAD	AB,4.5x1.6x1.6mm,-,-	SNA
L31	2703-001778	INDUCTOR-SMD	3.3UH,20%,3.2X2.5X2.2MM	

Loc. No.	Code No.	Description	Specification	Remarks
L32	2703-001778	INDUCTOR-SMD	3.3UH,20%,3.2X2.5X2.2MM	
L41	2703-001778	INDUCTOR-SMD	3.3UH,20%,3.2X2.5X2.2MM	
L42	2703-001778	INDUCTOR-SMD	3.3UH,20%,3.2X2.5X2.2MM	
L51	2703-001778	INDUCTOR-SMD	3.3UH,20%,3.2X2.5X2.2MM	
L52	2703-001778	INDUCTOR-SMD	3.3UH,20%,3.2X2.5X2.2MM	
L53	BN27-00007A	COIL CHOKE-SMD	DHB0504-100,RB15/17NS,10UH,±10%,-0.080HM,1.5A,DR5.8X4.5,20.5TS,6.0X5.2X4.5MM,-	
L54	BN27-00007A	COIL CHOKE-SMD	DHB0504-100,RB15/17NS,10UH,±10%,-0.080HM,1.5A,DR5.8X4.5,20.5TS,6.0X5.2X4.5MM,-	
L55	BN27-00007A	COIL CHOKE-SMD	DHB0504-100,RB15/17NS,10UH,±10%,-0.080HM,1.5A,DR5.8X4.5,20.5TS,6.0X5.2X4.5MM,-	
L56	BN27-00007A	COIL CHOKE-SMD	DHB0504-100,RB15/17NS,10UH,±10%,-0.080HM,1.5A,DR5.8X4.5,20.5TS,6.0X5.2X4.5MM,-	
MP1.0	BN41-00222A	PCB MAIN	ES15S0,FR4,6L,228X157X1.6,EOS	SNA
Q11	0501-002080	TR-SMALL SIGNAL	2SC2412K,NPN,200mW,SC-59,TP,120-270	
Q13	0501-002080	TR-SMALL SIGNAL	2SC2412K,NPN,200mW,SC-59,TP,120-270	
Q14	0501-002080	TR-SMALL SIGNAL	2SC2412K,NPN,200mW,SC-59,TP,120-270	
Q15	0501-002080	TR-SMALL SIGNAL	2SC2412K,NPN,200mW,SC-59,TP,120-270	
Q16	0501-002080	TR-SMALL SIGNAL	2SC2412K,NPN,200mW,SC-59,TP,120-270	
Q21	0501-002080	TR-SMALL SIGNAL	2SC2412K,NPN,200mW,SC-59,TP,120-270	
Q22	0501-002080	TR-SMALL SIGNAL	2SC2412K,NPN,200mW,SC-59,TP,120-270	
Q23	0501-002080	TR-SMALL SIGNAL	2SC2412K,NPN,200mW,SC-59,TP,120-270	
Q24	0501-002080	TR-SMALL SIGNAL	2SC2412K,NPN,200mW,SC-59,TP,120-270	
Q403	0501-002080	TR-SMALL SIGNAL	2SC2412K,NPN,200mW,SC-59,TP,120-270	
Q41	0501-002080	TR-SMALL SIGNAL	2SC2412K,NPN,200mW,SC-59,TP,120-270	
Q42	0501-002080	TR-SMALL SIGNAL	2SC2412K,NPN,200mW,SC-59,TP,120-270	
Q43	0501-002080	TR-SMALL SIGNAL	2SC2412K,NPN,200mW,SC-59,TP,120-270	
Q44	0501-002080	TR-SMALL SIGNAL	2SC2412K,NPN,200mW,SC-59,TP,120-270	
R1005	2007-000078	R-CHIP	1Kohm,5%,1/10W,TP,1608	
R1006	2007-000074	R-CHIP	100ohm,5%,1/10W,TP,1608	
R1007	2007-000070	R-CHIP	0ohm,5%,1/10W,TP,1608	
R1008	2007-000074	R-CHIP	100ohm,5%,1/10W,TP,1608	
R1009	2007-000070	R-CHIP	0ohm,5%,1/10W,TP,1608	
R1010	2007-000070	R-CHIP	0ohm,5%,1/10W,TP,1608	
R1011	2007-000070	R-CHIP	0ohm,5%,1/10W,TP,1608	
R1012	2007-000070	R-CHIP	0ohm,5%,1/10W,TP,1608	
R1013	2007-000070	R-CHIP	0ohm,5%,1/10W,TP,1608	
R1014	2007-000074	R-CHIP	100ohm,5%,1/10W,TP,1608	
R1015	2007-000074	R-CHIP	100ohm,5%,1/10W,TP,1608	
R1016	2007-000074	R-CHIP	100ohm,5%,1/10W,TP,1608	
R1017	2007-000132	R-CHIP	180Kohm,5%,1/10W,TP,1608	
R1018	2007-000132	R-CHIP	180Kohm,5%,1/10W,TP,1608	
R1019	2007-000132	R-CHIP	180Kohm,5%,1/10W,TP,1608	
R1020	2007-000402	R-CHIP	150ohm,5%,1/10W,TP,1608	
R1021	2007-000402	R-CHIP	150ohm,5%,1/10W,TP,1608	
R1022	2007-000402	R-CHIP	150ohm,5%,1/10W,TP,1608	
R1023	2007-000125	R-CHIP	3.9Kohm,5%,1/10W,TP,1608	
R11	2007-000078	R-CHIP	1Kohm,5%,1/10W,TP,1608	
R110	2007-000071	R-CHIP	22ohm,5%,1/10W,TP,1608	
R111	2007-000071	R-CHIP	22ohm,5%,1/10W,TP,1608	
R112	2007-000071	R-CHIP	22ohm,5%,1/10W,TP,1608	
R113	2007-000132	R-CHIP	180Kohm,5%,1/10W,TP,1608	
R114	2007-000132	R-CHIP	180Kohm,5%,1/10W,TP,1608	
R115	2007-000132	R-CHIP	180Kohm,5%,1/10W,TP,1608	
R116	2007-000092	R-CHIP	15Kohm,5%,1/10W,TP,1608	
R117	2007-000092	R-CHIP	15Kohm,5%,1/10W,TP,1608	
R118	2007-000070	R-CHIP	0ohm,5%,1/10W,TP,1608	
R119	2007-000070	R-CHIP	0ohm,5%,1/10W,TP,1608	
R120	2007-000070	R-CHIP	0ohm,5%,1/10W,TP,1608	
R121	2007-000074	R-CHIP	100ohm,5%,1/10W,TP,1608	
R122	2007-000074	R-CHIP	100ohm,5%,1/10W,TP,1608	
R123	2007-000074	R-CHIP	100ohm,5%,1/10W,TP,1608	
R124	2007-000074	R-CHIP	100ohm,5%,1/10W,TP,1608	
R125	2007-000074	R-CHIP	100ohm,5%,1/10W,TP,1608	
R126	2007-000074	R-CHIP	100ohm,5%,1/10W,TP,1608	
R127	2007-000074	R-CHIP	100ohm,5%,1/10W,TP,1608	
R128	2007-000074	R-CHIP	100ohm,5%,1/10W,TP,1608	
R13	2007-000124	R-CHIP	2.2Kohm,5%,1/10W,TP,1608	
R130	2007-000074	R-CHIP	100ohm,5%,1/10W,TP,1608	
R131	2007-000074	R-CHIP	100ohm,5%,1/10W,TP,1608	
R132	2007-000084	R-CHIP	4.7Kohm,5%,1/10W,TP,1608	

7 Electrical Parts List

Loc. No.	Code No.	Description	Specification	Remarks
R133	2007-000084	R-CHIP	4.7Kohm,5%,1/10W,TP,1608	
R135	2007-000084	R-CHIP	4.7Kohm,5%,1/10W,TP,1608	
R137	2007-000084	R-CHIP	4.7Kohm,5%,1/10W,TP,1608	
R138	2007-000084	R-CHIP	4.7Kohm,5%,1/10W,TP,1608	
R139	2007-000090	R-CHIP	10Kohm,5%,1/10W,TP,1608	
R140	2007-000090	R-CHIP	10Kohm,5%,1/10W,TP,1608	
R141	2007-000090	R-CHIP	10Kohm,5%,1/10W,TP,1608	
R142	2007-000090	R-CHIP	10Kohm,5%,1/10W,TP,1608	
R143	2007-000071	R-CHIP	22ohm,5%,1/10W,TP,1608	
R1431	2007-000070	R-CHIP	0ohm,5%,1/10W,TP,1608	
R144	2007-001167	R-CHIP	75ohm,5%,1/10W,TP,1608	
R145	2007-001167	R-CHIP	75ohm,5%,1/10W,TP,1608	
R146	2007-001167	R-CHIP	75ohm,5%,1/10W,TP,1608	
R147	2007-001167	R-CHIP	75ohm,5%,1/10W,TP,1608	
R148	2007-000102	R-CHIP	100Kohm,5%,1/10W,TP,1608	
R149	2007-000102	R-CHIP	100Kohm,5%,1/10W,TP,1608	
R15	2007-000077	R-CHIP	470ohm,5%,1/10W,TP,1608	
R150	2007-000102	R-CHIP	100Kohm,5%,1/10W,TP,1608	
R151	2007-000102	R-CHIP	100Kohm,5%,1/10W,TP,1608	
R16	2007-000077	R-CHIP	470ohm,5%,1/10W,TP,1608	
R17	2007-000077	R-CHIP	470ohm,5%,1/10W,TP,1608	
R18	2007-000077	R-CHIP	470ohm,5%,1/10W,TP,1608	
R19	2007-000070	R-CHIP	0ohm,5%,1/10W,TP,1608	
R21	2007-000078	R-CHIP	1Kohm,5%,1/10W,TP,1608	
R210	2007-000077	R-CHIP	470ohm,5%,1/10W,TP,1608	
R211	2007-000077	R-CHIP	470ohm,5%,1/10W,TP,1608	
R212	2007-000077	R-CHIP	470ohm,5%,1/10W,TP,1608	
R213	2007-000098	R-CHIP	56Kohm,5%,1/10W,TP,1608	
R214	2007-000098	R-CHIP	56Kohm,5%,1/10W,TP,1608	
R215	2007-000070	R-CHIP	0ohm,5%,1/10W,TP,1608	
R216	2007-000070	R-CHIP	0ohm,5%,1/10W,TP,1608	
R217	2007-000070	R-CHIP	0ohm,5%,1/10W,TP,1608	
R218	2007-000070	R-CHIP	0ohm,5%,1/10W,TP,1608	
R219	2007-000075	R-CHIP	220ohm,5%,1/10W,TP,1608	
R22	2007-000078	R-CHIP	1Kohm,5%,1/10W,TP,1608	
R220	2007-000074	R-CHIP	100ohm,5%,1/10W,TP,1608	
R221	2007-000074	R-CHIP	100ohm,5%,1/10W,TP,1608	
R222	2007-000074	R-CHIP	100ohm,5%,1/10W,TP,1608	
R223	2007-000074	R-CHIP	100ohm,5%,1/10W,TP,1608	
R224	2007-000074	R-CHIP	100ohm,5%,1/10W,TP,1608	
R225	2007-000074	R-CHIP	100ohm,5%,1/10W,TP,1608	
R226	2007-000074	R-CHIP	100ohm,5%,1/10W,TP,1608	
R227	2007-000074	R-CHIP	100ohm,5%,1/10W,TP,1608	
R228	2007-000074	R-CHIP	100ohm,5%,1/10W,TP,1608	
R229	2007-000074	R-CHIP	100ohm,5%,1/10W,TP,1608	
R23	2007-000078	R-CHIP	1Kohm,5%,1/10W,TP,1608	
R230	2007-000074	R-CHIP	100ohm,5%,1/10W,TP,1608	
R234	2007-000074	R-CHIP	100ohm,5%,1/10W,TP,1608	
R235	2007-000074	R-CHIP	100ohm,5%,1/10W,TP,1608	
R236	2007-000074	R-CHIP	100ohm,5%,1/10W,TP,1608	
R237	2007-000071	R-CHIP	22ohm,5%,1/10W,TP,1608	
R238	2007-000071	R-CHIP	22ohm,5%,1/10W,TP,1608	
R239	2007-000084	R-CHIP	4.7Kohm,5%,1/10W,TP,1608	
R24	2007-000078	R-CHIP	1Kohm,5%,1/10W,TP,1608	
R240	2007-000084	R-CHIP	4.7Kohm,5%,1/10W,TP,1608	
R241	2007-000084	R-CHIP	4.7Kohm,5%,1/10W,TP,1608	
R242	2007-000084	R-CHIP	4.7Kohm,5%,1/10W,TP,1608	
R243	2007-000084	R-CHIP	4.7Kohm,5%,1/10W,TP,1608	
R244	2007-000084	R-CHIP	4.7Kohm,5%,1/10W,TP,1608	
R245	2007-000084	R-CHIP	4.7Kohm,5%,1/10W,TP,1608	
R246	2007-000084	R-CHIP	4.7Kohm,5%,1/10W,TP,1608	
R247	2007-000084	R-CHIP	4.7Kohm,5%,1/10W,TP,1608	
R248	2007-000084	R-CHIP	4.7Kohm,5%,1/10W,TP,1608	
R249	2007-000084	R-CHIP	4.7Kohm,5%,1/10W,TP,1608	
R25	2007-000078	R-CHIP	1Kohm,5%,1/10W,TP,1608	
R250	2007-000084	R-CHIP	4.7Kohm,5%,1/10W,TP,1608	
R251	2007-000084	R-CHIP	4.7Kohm,5%,1/10W,TP,1608	

Loc. No.	Code No.	Description	Specification	Remarks
R252	2007-000084	R-CHIP	4.7Kohm,5%,1/10W,TP,1608	
R253	2007-000084	R-CHIP	4.7Kohm,5%,1/10W,TP,1608	
R254	2007-000084	R-CHIP	4.7Kohm,5%,1/10W,TP,1608	
R255	2007-000090	R-CHIP	10Kohm,5%,1/10W,TP,1608	
R2550	2007-000074	R-CHIP	100ohm,5%,1/10W,TP,1608	
R2551	2007-000074	R-CHIP	100ohm,5%,1/10W,TP,1608	
R2552	2007-000075	R-CHIP	220ohm,5%,1/10W,TP,1608	
R2553	2007-000075	R-CHIP	220ohm,5%,1/10W,TP,1608	
R2554	2007-000075	R-CHIP	220ohm,5%,1/10W,TP,1608	
R2555	2007-000075	R-CHIP	220ohm,5%,1/10W,TP,1608	
R2556	2007-000070	R-CHIP	0ohm,5%,1/10W,TP,1608	
R2557	2007-000070	R-CHIP	0ohm,5%,1/10W,TP,1608	
R2558	2007-000070	R-CHIP	0ohm,5%,1/10W,TP,1608	
R256	2007-000090	R-CHIP	10Kohm,5%,1/10W,TP,1608	
R257	2007-000090	R-CHIP	10Kohm,5%,1/10W,TP,1608	
R2570	2007-000070	R-CHIP	0ohm,5%,1/10W,TP,1608	
R258	2007-000090	R-CHIP	10Kohm,5%,1/10W,TP,1608	
R2584	2007-000070	R-CHIP	0ohm,5%,1/10W,TP,1608	
R26	2007-000078	R-CHIP	1Kohm,5%,1/10W,TP,1608	
R2635	2007-000084	R-CHIP	4.7Kohm,5%,1/10W,TP,1608	
R27	2007-000078	R-CHIP	1Kohm,5%,1/10W,TP,1608	
R28	2007-000078	R-CHIP	1Kohm,5%,1/10W,TP,1608	
R29	2007-000077	R-CHIP	470ohm,5%,1/10W,TP,1608	
R31	2007-000078	R-CHIP	1Kohm,5%,1/10W,TP,1608	
R310	2007-000070	R-CHIP	0ohm,5%,1/10W,TP,1608	
R311	2007-000070	R-CHIP	0ohm,5%,1/10W,TP,1608	
R312	2007-000070	R-CHIP	0ohm,5%,1/10W,TP,1608	
R313	2007-000070	R-CHIP	0ohm,5%,1/10W,TP,1608	
R314	2007-000070	R-CHIP	0ohm,5%,1/10W,TP,1608	
R315	2007-000070	R-CHIP	0ohm,5%,1/10W,TP,1608	
R32	2007-000078	R-CHIP	1Kohm,5%,1/10W,TP,1608	
R320	2007-007985	R-CHIP	620Kohm,1%,1/10W,TP,1608	
R321	2007-000309	R-CHIP	100ohm,5%,1/10W,TP,1608	
R322	2007-000309	R-CHIP	100ohm,5%,1/10W,TP,1608	
R323	2007-000309	R-CHIP	100ohm,5%,1/10W,TP,1608	
R324	2007-000309	R-CHIP	100ohm,5%,1/10W,TP,1608	
R325	2007-000309	R-CHIP	100ohm,5%,1/10W,TP,1608	
R326	2007-000309	R-CHIP	100ohm,5%,1/10W,TP,1608	
R327	2007-000074	R-CHIP	100ohm,5%,1/10W,TP,1608	
R328	2007-000074	R-CHIP	100ohm,5%,1/10W,TP,1608	
R329	2007-000074	R-CHIP	100ohm,5%,1/10W,TP,1608	
R33	2007-000070	R-CHIP	0ohm,5%,1/10W,TP,1608	
R330	2007-000074	R-CHIP	100ohm,5%,1/10W,TP,1608	
R331	2007-000074	R-CHIP	100ohm,5%,1/10W,TP,1608	
R332	2007-000074	R-CHIP	100ohm,5%,1/10W,TP,1608	
R333	2007-000074	R-CHIP	100ohm,5%,1/10W,TP,1608	
R334	2007-000074	R-CHIP	100ohm,5%,1/10W,TP,1608	
R335	2007-000074	R-CHIP	100ohm,5%,1/10W,TP,1608	
R336	2007-000074	R-CHIP	100ohm,5%,1/10W,TP,1608	
R337	2007-000074	R-CHIP	100ohm,5%,1/10W,TP,1608	
R338	2007-000074	R-CHIP	100ohm,5%,1/10W,TP,1608	
R339	2007-000074	R-CHIP	100ohm,5%,1/10W,TP,1608	
R34	2007-000070	R-CHIP	0ohm,5%,1/10W,TP,1608	
R340	2007-000074	R-CHIP	100ohm,5%,1/10W,TP,1608	
R341	2007-000074	R-CHIP	100ohm,5%,1/10W,TP,1608	
R342	2007-000074	R-CHIP	100ohm,5%,1/10W,TP,1608	
R343	2007-000074	R-CHIP	100ohm,5%,1/10W,TP,1608	
R344	2007-000074	R-CHIP	100ohm,5%,1/10W,TP,1608	
R345	2007-000074	R-CHIP	100ohm,5%,1/10W,TP,1608	
R346	2007-000074	R-CHIP	100ohm,5%,1/10W,TP,1608	
R347	2007-000074	R-CHIP	100ohm,5%,1/10W,TP,1608	
R348	2007-000074	R-CHIP	100ohm,5%,1/10W,TP,1608	
R35	2007-000070	R-CHIP	0ohm,5%,1/10W,TP,1608	
R353	2007-000071	R-CHIP	22ohm,5%,1/10W,TP,1608	
R354	2007-000071	R-CHIP	22ohm,5%,1/10W,TP,1608	
R355	2007-000071	R-CHIP	22ohm,5%,1/10W,TP,1608	
R356	2007-000071	R-CHIP	22ohm,5%,1/10W,TP,1608	

7 Electrical Parts List

Loc. No.	Code No.	Description	Specification	Remarks
R357	2007-000071	R-CHIP	22ohm,5%,1/10W,TP,1608	
R358	2007-000071	R-CHIP	22ohm,5%,1/10W,TP,1608	
R359	2007-000071	R-CHIP	22ohm,5%,1/10W,TP,1608	
R36	2007-000070	R-CHIP	0ohm,5%,1/10W,TP,1608	
R360	2007-000071	R-CHIP	22ohm,5%,1/10W,TP,1608	
R361	2007-000071	R-CHIP	22ohm,5%,1/10W,TP,1608	
R362	2007-000071	R-CHIP	22ohm,5%,1/10W,TP,1608	
R363	2007-000071	R-CHIP	22ohm,5%,1/10W,TP,1608	
R364	2007-000071	R-CHIP	22ohm,5%,1/10W,TP,1608	
R365	2007-000071	R-CHIP	22ohm,5%,1/10W,TP,1608	
R366	2007-000071	R-CHIP	22ohm,5%,1/10W,TP,1608	
R367	2007-000071	R-CHIP	22ohm,5%,1/10W,TP,1608	
R368	2007-000071	R-CHIP	22ohm,5%,1/10W,TP,1608	
R369	2007-000071	R-CHIP	22ohm,5%,1/10W,TP,1608	
R37	2007-000070	R-CHIP	0ohm,5%,1/10W,TP,1608	
R371	2007-000084	R-CHIP	4.7Kohm,5%,1/10W,TP,1608	
R372	2007-000090	R-CHIP	10Kohm,5%,1/10W,TP,1608	
R373	2007-000090	R-CHIP	10Kohm,5%,1/10W,TP,1608	
R374	2007-000090	R-CHIP	10Kohm,5%,1/10W,TP,1608	
R376	2007-001167	R-CHIP	75ohm,5%,1/10W,TP,1608	
R38	2007-000070	R-CHIP	0ohm,5%,1/10W,TP,1608	
R381	2007-001167	R-CHIP	75ohm,5%,1/10W,TP,1608	
R382	2007-001167	R-CHIP	75ohm,5%,1/10W,TP,1608	
R383	2007-001167	R-CHIP	75ohm,5%,1/10W,TP,1608	
R384	2007-000072	R-CHIP	47ohm,5%,1/10W,TP,1608	
R39	2007-000070	R-CHIP	0ohm,5%,1/10W,TP,1608	
R41	2007-000092	R-CHIP	15Kohm,5%,1/10W,TP,1608	
R410	2007-000074	R-CHIP	100ohm,5%,1/10W,TP,1608	
R411	2007-000070	R-CHIP	0ohm,5%,1/10W,TP,1608	
R412	2007-000070	R-CHIP	0ohm,5%,1/10W,TP,1608	
R413	2007-000070	R-CHIP	0ohm,5%,1/10W,TP,1608	
R414	2007-000616	R-CHIP	24Kohm,5%,1/10W,TP,1608	
R415	2007-000080	R-CHIP	2Kohm,5%,1/10W,TP,1608	
R416	2007-000080	R-CHIP	2Kohm,5%,1/10W,TP,1608	
R417	2007-000080	R-CHIP	2Kohm,5%,1/10W,TP,1608	
R418	2007-000070	R-CHIP	0ohm,5%,1/10W,TP,1608	
R419	2007-000070	R-CHIP	0ohm,5%,1/10W,TP,1608	
R420	2007-000070	R-CHIP	0ohm,5%,1/10W,TP,1608	
R421	2007-000070	R-CHIP	0ohm,5%,1/10W,TP,1608	
R43	2007-000077	R-CHIP	470ohm,5%,1/10W,TP,1608	
R432	2007-000070	R-CHIP	0ohm,5%,1/10W,TP,1608	
R433	2007-000070	R-CHIP	0ohm,5%,1/10W,TP,1608	
R434	2007-000070	R-CHIP	0ohm,5%,1/10W,TP,1608	
R436	2007-000074	R-CHIP	100ohm,5%,1/10W,TP,1608	
R44	2007-000077	R-CHIP	470ohm,5%,1/10W,TP,1608	
R441	2007-000074	R-CHIP	100ohm,5%,1/10W,TP,1608	
R442	2007-000074	R-CHIP	100ohm,5%,1/10W,TP,1608	
R443	2007-000074	R-CHIP	100ohm,5%,1/10W,TP,1608	
R444	2007-000074	R-CHIP	100ohm,5%,1/10W,TP,1608	
R445	2007-000094	R-CHIP	22Kohm,5%,1/10W,TP,1608	
R446	2007-000094	R-CHIP	22Kohm,5%,1/10W,TP,1608	
R447	2007-000094	R-CHIP	22Kohm,5%,1/10W,TP,1608	
R448	2007-000094	R-CHIP	22Kohm,5%,1/10W,TP,1608	
R449	2007-000094	R-CHIP	22Kohm,5%,1/10W,TP,1608	
R45	2007-000077	R-CHIP	470ohm,5%,1/10W,TP,1608	
R450	2007-000094	R-CHIP	22Kohm,5%,1/10W,TP,1608	
R451	2007-000094	R-CHIP	22Kohm,5%,1/10W,TP,1608	
R452	2007-000094	R-CHIP	22Kohm,5%,1/10W,TP,1608	
R4532	2007-000102	R-CHIP	100Kohm,5%,1/10W,TP,1608	
R4535	2007-001167	R-CHIP	75ohm,5%,1/10W,TP,1608	
R4536	2007-001167	R-CHIP	75ohm,5%,1/10W,TP,1608	
R4537	2007-001167	R-CHIP	75ohm,5%,1/10W,TP,1608	
R4538	2007-001167	R-CHIP	75ohm,5%,1/10W,TP,1608	
R4539	2007-000070	R-CHIP	0ohm,5%,1/10W,TP,1608	
R4540	2007-000070	R-CHIP	0ohm,5%,1/10W,TP,1608	
R4541	2007-000070	R-CHIP	0ohm,5%,1/10W,TP,1608	
R4542	2007-000070	R-CHIP	0ohm,5%,1/10W,TP,1608	

Loc. No.	Code No.	Description	Specification	Remarks
R4543	2007-000070	R-CHIP	0ohm,5%,1/10W,TP,1608	
R4544	2007-000070	R-CHIP	0ohm,5%,1/10W,TP,1608	
R4545	2007-000070	R-CHIP	0ohm,5%,1/10W,TP,1608	
R4546	2007-000070	R-CHIP	0ohm,5%,1/10W,TP,1608	
R4547	2007-000070	R-CHIP	0ohm,5%,1/10W,TP,1608	
R4548	2007-000070	R-CHIP	0ohm,5%,1/10W,TP,1608	
R4549	2007-000070	R-CHIP	0ohm,5%,1/10W,TP,1608	
R4550	2007-000070	R-CHIP	0ohm,5%,1/10W,TP,1608	
R4551	2007-000084	R-CHIP	4.7Kohm,5%,1/10W,TP,1608	
R4552	2007-000084	R-CHIP	4.7Kohm,5%,1/10W,TP,1608	
R4553	2007-000084	R-CHIP	4.7Kohm,5%,1/10W,TP,1608	
R4554	2007-000084	R-CHIP	4.7Kohm,5%,1/10W,TP,1608	
R4555	2007-000074	R-CHIP	100ohm,5%,1/10W,TP,1608	
R4556	2007-000074	R-CHIP	100ohm,5%,1/10W,TP,1608	
R4557	2007-000084	R-CHIP	4.7Kohm,5%,1/10W,TP,1608	
R4558	2007-000084	R-CHIP	4.7Kohm,5%,1/10W,TP,1608	
R4559	2007-001167	R-CHIP	75ohm,5%,1/10W,TP,1608	
R4560	2007-000070	R-CHIP	0ohm,5%,1/10W,TP,1608	
R4561	2007-000070	R-CHIP	0ohm,5%,1/10W,TP,1608	
R4562	2007-000070	R-CHIP	0ohm,5%,1/10W,TP,1608	
R4563	2007-000070	R-CHIP	0ohm,5%,1/10W,TP,1608	
R4564	2007-000070	R-CHIP	0ohm,5%,1/10W,TP,1608	
R4565	2007-000070	R-CHIP	0ohm,5%,1/10W,TP,1608	
R4566	2007-000070	R-CHIP	0ohm,5%,1/10W,TP,1608	
R4567	2007-000070	R-CHIP	0ohm,5%,1/10W,TP,1608	
R4568	2007-000074	R-CHIP	100ohm,5%,1/10W,TP,1608	
R4569	2007-000074	R-CHIP	100ohm,5%,1/10W,TP,1608	
R4570	2007-000070	R-CHIP	0ohm,5%,1/10W,TP,1608	
R4571	2007-000070	R-CHIP	0ohm,5%,1/10W,TP,1608	
R4572	2007-000070	R-CHIP	0ohm,5%,1/10W,TP,1608	
R459	2007-000084	R-CHIP	4.7Kohm,5%,1/10W,TP,1608	
R46	2007-000070	R-CHIP	0ohm,5%,1/10W,TP,1608	
R464	2007-001167	R-CHIP	75ohm,5%,1/10W,TP,1608	
R467	2007-001167	R-CHIP	75ohm,5%,1/10W,TP,1608	
R468	2007-000078	R-CHIP	1Kohm,5%,1/10W,TP,1608	
R469	2007-000078	R-CHIP	1Kohm,5%,1/10W,TP,1608	
R47	2007-000070	R-CHIP	0ohm,5%,1/10W,TP,1608	
R470	2007-001167	R-CHIP	75ohm,5%,1/10W,TP,1608	
R471	2007-000078	R-CHIP	1Kohm,5%,1/10W,TP,1608	
R472	2007-001167	R-CHIP	75ohm,5%,1/10W,TP,1608	
R473	2007-000078	R-CHIP	1Kohm,5%,1/10W,TP,1608	
R474	2007-001167	R-CHIP	75ohm,5%,1/10W,TP,1608	
R475	2007-001134	R-CHIP	68ohm,5%,1/10W,TP,1608	
R476	2007-000102	R-CHIP	100Kohm,5%,1/10W,TP,1608	
R48	2007-000070	R-CHIP	0ohm,5%,1/10W,TP,1608	
R49	2007-000070	R-CHIP	0ohm,5%,1/10W,TP,1608	
R51	2007-000078	R-CHIP	1Kohm,5%,1/10W,TP,1608	
R510	2007-000098	R-CHIP	56Kohm,5%,1/10W,TP,1608	
R511	2007-000098	R-CHIP	56Kohm,5%,1/10W,TP,1608	
R512	2007-000070	R-CHIP	0ohm,5%,1/10W,TP,1608	
R513	2007-000070	R-CHIP	0ohm,5%,1/10W,TP,1608	
R514	2007-000070	R-CHIP	0ohm,5%,1/10W,TP,1608	
R516	2007-000074	R-CHIP	100ohm,5%,1/10W,TP,1608	
R517	2007-000074	R-CHIP	100ohm,5%,1/10W,TP,1608	
R518	2007-000074	R-CHIP	100ohm,5%,1/10W,TP,1608	
R519	2007-000074	R-CHIP	100ohm,5%,1/10W,TP,1608	
R52	2007-000097	R-CHIP	47Kohm,5%,1/10W,TP,1608	
R520	2007-000074	R-CHIP	100ohm,5%,1/10W,TP,1608	
R521	2007-000074	R-CHIP	100ohm,5%,1/10W,TP,1608	
R522	2007-000074	R-CHIP	100ohm,5%,1/10W,TP,1608	
R523	2007-000074	R-CHIP	100ohm,5%,1/10W,TP,1608	
R524	2007-000074	R-CHIP	100ohm,5%,1/10W,TP,1608	
R525	2007-000074	R-CHIP	100ohm,5%,1/10W,TP,1608	
R526	2007-000074	R-CHIP	100ohm,5%,1/10W,TP,1608	
R527	2007-000084	R-CHIP	4.7Kohm,5%,1/10W,TP,1608	
R528	2007-000074	R-CHIP	100ohm,5%,1/10W,TP,1608	
R529	2007-000074	R-CHIP	100ohm,5%,1/10W,TP,1608	

7 Electrical Parts List

Loc. No.	Code No.	Description	Specification	Remarks
R53	2007-000097	R-CHIP	47Kohm,5%,1/10W,TP,1608	
R530	2007-000074	R-CHIP	100ohm,5%,1/10W,TP,1608	
R531	2007-000074	R-CHIP	100ohm,5%,1/10W,TP,1608	
R532	2007-000074	R-CHIP	100ohm,5%,1/10W,TP,1608	
R533	2007-000074	R-CHIP	100ohm,5%,1/10W,TP,1608	
R534	2007-000074	R-CHIP	100ohm,5%,1/10W,TP,1608	
R535	2007-000074	R-CHIP	100ohm,5%,1/10W,TP,1608	
R536	2007-000074	R-CHIP	100ohm,5%,1/10W,TP,1608	
R537	2007-000074	R-CHIP	100ohm,5%,1/10W,TP,1608	
R538	2007-000074	R-CHIP	100ohm,5%,1/10W,TP,1608	
R539	2007-000084	R-CHIP	4.7Kohm,5%,1/10W,TP,1608	
R54	2007-000090	R-CHIP	10Kohm,5%,1/10W,TP,1608	
R540	2007-000090	R-CHIP	10Kohm,5%,1/10W,TP,1608	
R541	2007-000090	R-CHIP	10Kohm,5%,1/10W,TP,1608	
R542	2007-000102	R-CHIP	100Kohm,5%,1/10W,TP,1608	
R543	2007-000309	R-CHIP	10ohm,5%,1/10W,TP,1608	
R544	2007-000309	R-CHIP	10ohm,5%,1/10W,TP,1608	
R545	2007-000076	R-CHIP	330ohm,5%,1/10W,TP,1608	
R546	2007-000076	R-CHIP	330ohm,5%,1/10W,TP,1608	
R547	2007-000102	R-CHIP	100Kohm,5%,1/10W,TP,1608	
R548	2007-000086	R-CHIP	5.6Kohm,5%,1/10W,TP,1608	
R549	2007-000081	R-CHIP	2.7Kohm,5%,1/10W,TP,1608	
R55	2007-000090	R-CHIP	10Kohm,5%,1/10W,TP,1608	
R550	2007-000088	R-CHIP	7.5Kohm,5%,1/10W,TP,1608	
R551	2007-000088	R-CHIP	7.5Kohm,5%,1/10W,TP,1608	
R552	2007-000093	R-CHIP	20Kohm,5%,1/10W,TP,1608	
R553	2007-000093	R-CHIP	20Kohm,5%,1/10W,TP,1608	
R56	2007-000090	R-CHIP	10Kohm,5%,1/10W,TP,1608	
R57	2007-000090	R-CHIP	10Kohm,5%,1/10W,TP,1608	
R58	2007-000098	R-CHIP	56Kohm,5%,1/10W,TP,1608	
R59	2007-000098	R-CHIP	56Kohm,5%,1/10W,TP,1608	
R61	2007-000072	R-CHIP	47ohm,5%,1/10W,TP,1608	
R610	2007-000072	R-CHIP	47ohm,5%,1/10W,TP,1608	
R611	2007-000072	R-CHIP	47ohm,5%,1/10W,TP,1608	
R612	2007-000072	R-CHIP	47ohm,5%,1/10W,TP,1608	
R613	2007-000072	R-CHIP	47ohm,5%,1/10W,TP,1608	
R614	2007-000072	R-CHIP	47ohm,5%,1/10W,TP,1608	
R615	2007-000072	R-CHIP	47ohm,5%,1/10W,TP,1608	
R616	2007-000072	R-CHIP	47ohm,5%,1/10W,TP,1608	
R617	2007-000072	R-CHIP	47ohm,5%,1/10W,TP,1608	
R618	2007-000072	R-CHIP	47ohm,5%,1/10W,TP,1608	
R619	2007-000072	R-CHIP	47ohm,5%,1/10W,TP,1608	
R62	2007-000072	R-CHIP	47ohm,5%,1/10W,TP,1608	
R620	2007-000072	R-CHIP	47ohm,5%,1/10W,TP,1608	
R621	2007-000070	R-CHIP	0ohm,5%,1/10W,TP,1608	
R622	2007-000070	R-CHIP	0ohm,5%,1/10W,TP,1608	
R623	2007-000070	R-CHIP	0ohm,5%,1/10W,TP,1608	
R624	2007-000070	R-CHIP	0ohm,5%,1/10W,TP,1608	
R625	2007-000070	R-CHIP	0ohm,5%,1/10W,TP,1608	
R626	2007-000070	R-CHIP	0ohm,5%,1/10W,TP,1608	
R627	2007-000070	R-CHIP	0ohm,5%,1/10W,TP,1608	
R628	2007-000070	R-CHIP	0ohm,5%,1/10W,TP,1608	
R629	2007-000070	R-CHIP	0ohm,5%,1/10W,TP,1608	
R63	2007-000072	R-CHIP	47ohm,5%,1/10W,TP,1608	
R630	2007-000070	R-CHIP	0ohm,5%,1/10W,TP,1608	
R631	2007-000070	R-CHIP	0ohm,5%,1/10W,TP,1608	
R632	2007-000070	R-CHIP	0ohm,5%,1/10W,TP,1608	
R64	2007-000072	R-CHIP	47ohm,5%,1/10W,TP,1608	
R640	2007-000070	R-CHIP	0ohm,5%,1/10W,TP,1608	
R643	2007-000090	R-CHIP	10Kohm,5%,1/10W,TP,1608	
R65	2007-000072	R-CHIP	47ohm,5%,1/10W,TP,1608	
R66	2007-000072	R-CHIP	47ohm,5%,1/10W,TP,1608	
R67	2007-000072	R-CHIP	47ohm,5%,1/10W,TP,1608	
R68	2007-000072	R-CHIP	47ohm,5%,1/10W,TP,1608	
R69	2007-000072	R-CHIP	47ohm,5%,1/10W,TP,1608	
R837	2007-000102	R-CHIP	100Kohm,5%,1/10W,TP,1608	
R982	2007-000074	R-CHIP	100ohm,5%,1/10W,TP,1608	

Loc. No.	Code No.	Description	Specification	Remarks
R987	2007-001167	R-CHIP	75ohm,5%,1/10W,TP,1608	
R992	2007-001167	R-CHIP	75ohm,5%,1/10W,TP,1608	
RA31	2011-000002	R-NETWORK	220HM,5%,1/16W,L,CHIP,8P,TP,3216	
RA310	2011-000002	R-NETWORK	220HM,5%,1/16W,L,CHIP,8P,TP,3216	
RA311	2011-000002	R-NETWORK	220HM,5%,1/16W,L,CHIP,8P,TP,3216	
RA312	2011-000002	R-NETWORK	220HM,5%,1/16W,L,CHIP,8P,TP,3216	
RA313	2011-000002	R-NETWORK	220HM,5%,1/16W,L,CHIP,8P,TP,3216	
RA314	2011-000002	R-NETWORK	220HM,5%,1/16W,L,CHIP,8P,TP,3216	
RA315	2011-000002	R-NETWORK	220HM,5%,1/16W,L,CHIP,8P,TP,3216	
RA316	2011-000002	R-NETWORK	220HM,5%,1/16W,L,CHIP,8P,TP,3216	
RA317	2011-000002	R-NETWORK	220HM,5%,1/16W,L,CHIP,8P,TP,3216	
RA318	2011-000002	R-NETWORK	220HM,5%,1/16W,L,CHIP,8P,TP,3216	
RA32	2011-000002	R-NETWORK	220HM,5%,1/16W,L,CHIP,8P,TP,3216	
RA33	2011-000002	R-NETWORK	220HM,5%,1/16W,L,CHIP,8P,TP,3216	
RA34	2011-000002	R-NETWORK	220HM,5%,1/16W,L,CHIP,8P,TP,3216	
RA35	2011-000002	R-NETWORK	220HM,5%,1/16W,L,CHIP,8P,TP,3216	
RA36	2011-000002	R-NETWORK	220HM,5%,1/16W,L,CHIP,8P,TP,3216	
RA37	2011-000002	R-NETWORK	220HM,5%,1/16W,L,CHIP,8P,TP,3216	
RA38	2011-000002	R-NETWORK	220HM,5%,1/16W,L,CHIP,8P,TP,3216	
RA39	2011-000002	R-NETWORK	220HM,5%,1/16W,L,CHIP,8P,TP,3216	
U502	2402-000176	C-AL,SMD	10uF,20%,16V,GP,TP,4.3x4.3x5.4	
U503	2402-000176	C-AL,SMD	10uF,20%,16V,GP,TP,4.3x4.3x5.4	
U504	3301-001145	CORE-FERRITE BEAD	AB,4.5x1.6x1.6mm,-,-	SNA
U507	0403-001435	DIODE-ZENER	QZX363C5V6,5.32-5.88,200MW,SOT-363,TP	
U509	0403-001435	DIODE-ZENER	QZX363C5V6,5.32-5.88,200MW,SOT-363,TP	
U512	3301-001163	CORE-FERRITE BEAD	AB,80ohm,2x1.25x1mm,300mA,TP,FERRITE,0.08ohm	
U513	2203-000189	C-CERAMIC,CHIP	100nF,+80-20%,25V,Y5V,TP,1608,	
U514	2203-000189	C-CERAMIC,CHIP	100nF,+80-20%,25V,Y5V,TP,1608,	
U515	2203-000189	C-CERAMIC,CHIP	100nF,+80-20%,25V,Y5V,TP,1608,	
U516	2203-000189	C-CERAMIC,CHIP	100nF,+80-20%,25V,Y5V,TP,1608,	
U517	2203-000189	C-CERAMIC,CHIP	100nF,+80-20%,25V,Y5V,TP,1608,	
U518	2203-000552	C-CERAMIC,CHIP	0.02NF,5%,50V,COG,TP,1608	
U519	2203-000552	C-CERAMIC,CHIP	0.02NF,5%,50V,COG,TP,1608	
U520	2203-005065	C-CERAMIC,CHIP	1000nF,+80-20%,10V,Y5V,TP,1608	
U521	2203-005065	C-CERAMIC,CHIP	1000nF,+80-20%,10V,Y5V,TP,1608	
U522	2203-005065	C-CERAMIC,CHIP	1000nF,+80-20%,10V,Y5V,TP,1608	
U523	2203-005065	C-CERAMIC,CHIP	1000nF,+80-20%,10V,Y5V,TP,1608	
U524	2203-005065	C-CERAMIC,CHIP	1000nF,+80-20%,10V,Y5V,TP,1608	
U525	0403-000579	DIODE-ZENER	BZX84C5V1,5.1V,5%,200mW,SOT-23	
U526	2402-001042	C-AL,SMD	100uF,20%,16V,GP,TP,6.6x6.6x5.4mm	
U527	2402-000135	C-AL,SMD	22uF,20%,16V,GP,TP,5.3x5.3x5.4	
U528	2402-000176	C-AL,SMD	10uF,20%,16V,GP,TP,4.3x4.3x5.4	
U529	2703-001070	INDUCTOR-SMD	100uH,10%,4.5x3.2x3.2mm	
U530	2801-003773	CRYSTAL-SMD	12MHZ,30PPM,28-AAN,20PF,500HM,TP	
U531	2402-000176	C-AL,SMD	10uF,20%,16V,GP,TP,4.3x4.3x5.4	
X21	2801-003667	CRYSTAL-SMD	14.3182MHZ,50PPM,28-AAN,16,500HM,TP	
X41	2801-004004	CRYSTAL-SMD	20.25MHz,20ppm,28-AAN,13pf,25ohm,TP	
X51	2801-003843	CRYSTAL-SMD	18.432MHz,30ppm,28-AAN,20pF,50ohm,TP	
ZD21	0406-001163	DIODE-TVS	CDS3C05GTA,6.4V/-,-,SMD	
ZD22	0406-001163	DIODE-TVS	CDS3C05GTA,6.4V/-,-,SMD	
ZD25	0406-001163	DIODE-TVS	CDS3C05GTA,6.4V/-,-,SMD	
ZD26	0406-001163	DIODE-TVS	CDS3C05GTA,6.4V/-,-,SMD	
ZD27	0406-001163	DIODE-TVS	CDS3C05GTA,6.4V/-,-,SMD	
ZD28	0406-001163	DIODE-TVS	CDS3C05GTA,6.4V/-,-,SMD	
-	BN97-00221J	ASSY MICOM	AS17SO	SNA
IC22	1102-001108	IC-EPROM	27C020,256Kx8Bit,PLCC,32P,495MIL,70ns,5V,10%,PLASTIC,0to+70C,100uA,CMOS,TR	SNA
CIS	BN82-00093K	A/S MICOM	AS17SO	SNA

7-2-2 LS17E34C Others

Loc. No.	Code No.	Description	Specification	Remarks
- C/F+C/R	BN90-00506G 6003-001003	ASSY COVER FRONT SCREW-TAPTITE	AS15SO BH,+B,M4,L12,ZPC(BLK),SWRCH18	SNA
C/F	BN96-00439D	ASSY COVER P-FRONT	AS17SO,ABS	SNA
C/F	6003-000259	SCREW-TAPTITE	BH,+B,M3,L8,ZPC(YEL),SWRCH18A	SNA
C/F	6003-000276	SCREW-TAPTITE	BH,+B,M3,L10,ZPC(YEL),SWRCH10	SNA
C/F	BN59-00216A	PBA SUB	CN17VS,IR PBA SUB,-,-,-,-,-	SNA
C/F	BN61-00398A	BRACKET-STAND	VR17KO,SECC,T1.0,,,,	SNA
C/F	BN61-00400A	STAND-SPRING	VR17KO,SUS,T0.5,,,,	SNA
C/F	BN63-00691A	COVER-FRONT	ARES17,ABS,T3.0,,,HB,,,	SNA
C/F	BN63-00692A	COVER-MIDDLE	ARES17,ABS,T2.5,,,HB,,,	SNA
C/F	BN63-00866A	FELT	AS17UO,FELT,0.5,10,140	SNA
C/F	BN63-00867A	FELT	AS17UO,FELT,0.5,10,68	SNA
C/F	BN63-00868A	FELT	AS17UO,FELT,0.5,10,214	SNA
C/F	BN63-00872A	ABSORBER SPONGE-URETHANE	AS17UO,URETHANE SPONGE,5.0,10,184	SNA
C/F	BN64-00155A	KNOB-FUNCTION	VR17KO,ABS HB,,,,,,	SNA
C/F	BN67-00089A	LENS-IR	ARES17,ACRYL,,,,,,	SNA
C/F	BN96-00477A	ASSY BOARD P-FUNCTION	ARES,FUNCTION,211*23.5	
C/F	BN96-00493A	ASSY SPEAKER P	16ohm,Ares 17,Right,3W,590mm	SNA
C/F	BN96-00495A	ASSY SPEAKER P	16ohm,Ares 15&17,Left,3W,240mm	SNA
C/F	BP64-00229A	BADGE-BRAND	LCDTM,AL,T1.5,45.0,7.5,BLK,SILVER,SAMSUNG,TAPE	SNA
-	BN90-00507B	ASSY STAND	AS17UO	SNA
STD	BN96-00442A	ASSY MISC P-STAND	ARES17	
STD	6001-000139	SCREW-MACHINE	BH,+M4,L10,ZPC(YEL),SM10C,-	SNA
STD	6003-001010	SCREW-TAPTITE	FH,+B,M3,L6,ZPC(YEL),SWRCH18A	
STD	BN61-00427A	BRACKET-STAND	ARES17,AL,,,,,	SNA
STD	BN63-00695A	COVER-STAND FRONT	ARES17,ABS,,,,HB,,,	SNA
STD	BN63-00696A	COVER-STAND REAR	ARES17,ABS,,,,HB,,,	SNA
STD	BN73-00051A	RUBBER FOOT	ARES 17,SILICON,DIA 11 8 T1.5,BLACK	SNA
STD	BN73-00052A	RUBBER FOOT	ARES 17,SILICON,DIA 17 * T1.5,BLACK	SNA
STD	BN96-00558A	ASSY MISC P-HINGE LEFT	ARES17,Zn T4.0	SNA
STD	BN96-00559A	ASSY MISC P-HINGE RIGHT	ARES17,Zn T4.0	SNA
-	BN90-00508G	ASSY COVER REAR	AS15SO	SNA
C/R	BN63-00694A	COVER-JACK	ARES17,ABS,T2.5,,,HB,,,	SNA
C/R	BN96-00440D	ASSY COVER P-REAR	AS17SO,ABS	SNA
C/R	BN63-00693A	COVER-REAR	ARES17,ABS,T3.0,,,HB,,,	SNA
C/R	BN64-00176D	INLAY-REAR	ARES,PC EMBO,T0.178,124*25,GRAY	SNA
-	BN91-00567H	ASSY LCD-S5	ES17,S5	SNA
CIS	BN07-00113A	LCD	LTM170EH-L05,ES17AS,1280*1024,383.5*298*15,16.19M,56.0,264*0.264,0-55.5,0.TN,-	
-	BN91-00591B	ASSY MISC-ADAPTOR	RT17NS,,,	SNA
APT	BN44-00075A	ADAPTOR	AP04914-UV,LCDTM,90 -264V,47-63HZ,+14VDC,+3.5A,49W,0 TO +40,120*55*31	
-	BN91-00639G	ASSY CHASSIS-S5	AS17SO	
C1	BN83-00081A	CKD-C-CERAMIC,CHIP	2203-000206,GH17ASPS/XAZ,SEDA	SNA
C10	BN83-00086A	CKD-C-CERAMIC,CHIP	2203-002793,GH17ASPS/XAZ,SEDA	SNA
C11	BN83-00288A	CKD-C-CERAMIC,CHIP	2203-002494,GH17ASPS/XAZ,SEDA	SNA
C12	BN83-00082A	CKD-C-CERAMIC,CHIP	2203-001458,GH17ASPS/XAZ,SEDA	SNA
C13	BN83-00083A	CKD-C-CERAMIC,CHIP	2203-000455,GH17ASPS/XAZ,SEDA	SNA
C14	BN83-00289A	CKD-C-FILM,PPF	2301-001359,GH17ASPS/XAZ,SEDA	SNA
C15	BN83-00287A	CKD-C-CERAMIC,DISC	2201-002115,GH17ASPS/XAZ,SEDA	SNA
C16	BN83-00287A	CKD-C-CERAMIC,DISC	2201-002115,GH17ASPS/XAZ,SEDA	SNA
C17	BN83-00086A	CKD-C-CERAMIC,CHIP	2203-002793,GH17ASPS/XAZ,SEDA	SNA
C18	BN83-00086A	CKD-C-CERAMIC,CHIP	2203-002793,GH17ASPS/XAZ,SEDA	SNA
C19	BN83-00086A	CKD-C-CERAMIC,CHIP	2203-002793,GH17ASPS/XAZ,SEDA	SNA
C20	BN83-00288A	CKD-C-CERAMIC,CHIP	2203-002494,GH17ASPS/XAZ,SEDA	SNA
C21	BN83-00082A	CKD-C-CERAMIC,CHIP	2203-001458,GH17ASPS/XAZ,SEDA	SNA

Loc. No.	Code No.	Description	Specification	Remarks
C22	BN83-00083A	CKD-C-CERAMIC,CHIP	2203-000455,GH17ASPS/XAZ,SEDA	SNA
C23	BN83-00081A	CKD-C-CERAMIC,CHIP	2203-000206,GH17ASPS/XAZ,SEDA	SNA
C3	BN83-00291A	CKD-C-AL	2401-003549,GH17ASPS/XAZ,SEDA	SNA
C30	BN83-00084A	CKD-C-CERAMIC,CHIP	2203-000590,GH17ASPS/XAZ,SEDA	SNA
C31	BN83-00084A	CKD-C-CERAMIC,CHIP	2203-000590,GH17ASPS/XAZ,SEDA	SNA
C5	BN83-00289A	CKD-C-FILM,PPF	2301-001359,GH17ASPS/XAZ,SEDA	SNA
C50	BN83-00081A	CKD-C-CERAMIC,CHIP	2203-000206,GH17ASPS/XAZ,SEDA	SNA
C6	BN83-00287A	CKD-C-CERAMIC,DISC	2201-002115,GH17ASPS/XAZ,SEDA	SNA
C7	BN83-00287A	CKD-C-CERAMIC,DISC	2201-002115,GH17ASPS/XAZ,SEDA	SNA
C8	BN83-00086A	CKD-C-CERAMIC,CHIP	2203-002793,GH17ASPS/XAZ,SEDA	SNA
C9	BN83-00086A	CKD-C-CERAMIC,CHIP	2203-002793,GH17ASPS/XAZ,SEDA	SNA
CIS	BN83-00085A	CKD-C-CERAMIC,CHIP	2203-001130,GH17ASPS/XAZ,SEDA	SNA
CIS	BN83-00267A	CKD-FET-SILICON	0505-001348,GH17ASPS/XAZ,SEDA	SNA
CIS	BN83-00301A	CKD-CHIP MOUNTING/B	LH93-05016Z,GH17ASPS/XAZ,SEDA	SNA
CIS	BN83-00302A	CKD-CHIP MOUNTING/F	LH93-10009P,GH17ASPS/XAZ,SEDA	SNA
CIS	BN83-00303A	CKD-DISCRETE INSERT/F	LH93-20016M,GH17ASPS/XAZ,SEDA	SNA
CN1	BN83-00110A	CKD-CONNECTOR-HEADER	3711-000556,GH17ASPS/XAZ,SEDA	SNA
CN2	BN83-00111A	CKD-CONNECTOR-HEADER	3711-004702,GH17ASPS/XAZ,SEDA	SNA
CN3	BN83-00111A	CKD-CONNECTOR-HEADER	3711-004702,GH17ASPS/XAZ,SEDA	SNA
CN4	BN83-00111A	CKD-CONNECTOR-HEADER	3711-004702,GH17ASPS/XAZ,SEDA	SNA
CN5	BN83-00111A	CKD-CONNECTOR-HEADER	3711-004702,GH17ASPS/XAZ,SEDA	SNA
D10	BN83-00074A	CKD-DIODE-ARRAY	0407-000114,GH17ASPS/XAZ,SEDA	SNA
D12	BN83-00074A	CKD-DIODE-ARRAY	0407-000114,GH17ASPS/XAZ,SEDA	SNA
D13	BN83-00264A	CKD-DIODE-RECTIFIER	0402-000554,GH17ASPS/XAZ,SEDA	SNA
D14	BN83-00076A	CKD-DIODE-ARRAY	0407-000122,GH17ASPS/XAZ,SEDA	SNA
D15	BN83-00076A	CKD-DIODE-ARRAY	0407-000122,GH17ASPS/XAZ,SEDA	SNA
D16	BN83-00076A	CKD-DIODE-ARRAY	0407-000122,GH17ASPS/XAZ,SEDA	SNA
D17	BN83-00074A	CKD-DIODE-ARRAY	0407-000114,GH17ASPS/XAZ,SEDA	SNA
D18	BN83-00074A	CKD-DIODE-ARRAY	0407-000114,GH17ASPS/XAZ,SEDA	SNA
D19	BN83-00074A	CKD-DIODE-ARRAY	0407-000114,GH17ASPS/XAZ,SEDA	SNA
D2	BN83-00074A	CKD-DIODE-ARRAY	0407-000114,GH17ASPS/XAZ,SEDA	SNA
D20	BN83-00074A	CKD-DIODE-ARRAY	0407-000114,GH17ASPS/XAZ,SEDA	SNA
D3	BN83-00264A	CKD-DIODE-RECTIFIER	0402-000554,GH17ASPS/XAZ,SEDA	SNA
D4	BN83-00076A	CKD-DIODE-ARRAY	0407-000122,GH17ASPS/XAZ,SEDA	SNA
D5	BN83-00076A	CKD-DIODE-ARRAY	0407-000122,GH17ASPS/XAZ,SEDA	SNA
D6	BN83-00076A	CKD-DIODE-ARRAY	0407-000122,GH17ASPS/XAZ,SEDA	SNA
D7	BN83-00074A	CKD-DIODE-ARRAY	0407-000114,GH17ASPS/XAZ,SEDA	SNA
D8	BN83-00074A	CKD-DIODE-ARRAY	0407-000114,GH17ASPS/XAZ,SEDA	SNA
D9	BN83-00074A	CKD-DIODE-ARRAY	0407-000114,GH17ASPS/XAZ,SEDA	SNA
F1	BN83-00108A	CKD-FUSE-SURFACE MOUNT	3601-001038,GH17ASPS/XAZ,SEDA	SNA
INSULATOR	BN83-00300A	CKD-INSULATOR	LH72-00173A,GH17ASPS/XAZ,SEDA	SNA
INVERTER	BN44-00041A	INVERTER	NL17,SiC1803,48KHz,14VDC,1.5mA Arms,7.2mA Arms,48KHz,160°45°17,4LAMR,48KHz,-;	
L1	BN83-00297A	CKD-COIL CHOKE	LH27-00145A,GH17ASPS/XAZ,SEDA	SNA
L2	BN83-00297A	CKD-COIL CHOKE	LH27-00145A,GH17ASPS/XAZ,SEDA	SNA
PCB	BN83-00299A	CKD-PCB MAIN	LH41-00227A,GH17ASPS/XAZ,SEDA	SNA
Q1	BN83-00070A	CKD-TR-DIGITAL	0504-000129,GH17ASPS/XAZ,SEDA	SNA
Q10	BN83-00070A	CKD-TR-DIGITAL	0504-000129,GH17ASPS/XAZ,SEDA	SNA
Q11	BN83-00070A	CKD-TR-DIGITAL	0504-000129,GH17ASPS/XAZ,SEDA	SNA
Q12	BN83-00069A	CKD-TR-SMALL SIGNAL	0501-000457,GH17ASPS/XAZ,SEDA	SNA
Q13	BN83-00266A	CKD-FET-SILICON	0505-001220,GH17ASPS/XAZ,SEDA	SNA
Q14	BN83-00265A	CKD-TR-SMALL SIGNAL	0501-002218,GH17ASPS/XAZ,SEDA	SNA
Q15	BN83-00265A	CKD-TR-SMALL SIGNAL	0501-002218,GH17ASPS/XAZ,SEDA	SNA
Q16	BN83-00070A	CKD-TR-DIGITAL	0504-000129,GH17ASPS/XAZ,SEDA	SNA
Q17	BN83-00070A	CKD-TR-DIGITAL	0504-000129,GH17ASPS/XAZ,SEDA	SNA
Q18	BN83-00070A	CKD-TR-DIGITAL	0504-000129,GH17ASPS/XAZ,SEDA	SNA
Q2	BN83-00068A	CKD-TR-DIGITAL	0504-000158,GH17ASPS/XAZ,SEDA	SNA
Q23	BN83-00071A	CKD-TR-SMALL SIGNAL	0501-000462,GH17ASPS/XAZ,SEDA	SNA
Q24	BN83-00071A	CKD-TR-SMALL SIGNAL	0501-000462,GH17ASPS/XAZ,SEDA	SNA
Q3	BN83-00070A	CKD-TR-DIGITAL	0504-000129,GH17ASPS/XAZ,SEDA	SNA
Q4	BN83-00070A	CKD-TR-DIGITAL	0504-000129,GH17ASPS/XAZ,SEDA	SNA
Q5	BN83-00069A	CKD-TR-SMALL SIGNAL	0501-000457,GH17ASPS/XAZ,SEDA	SNA
Q6	BN83-00266A	CKD-FET-SILICON	0505-001220,GH17ASPS/XAZ,SEDA	SNA
Q7	BN83-00265A	CKD-TR-SMALL SIGNAL	0501-002218,GH17ASPS/XAZ,SEDA	SNA
Q8	BN83-00265A	CKD-TR-SMALL SIGNAL	0501-002218,GH17ASPS/XAZ,SEDA	SNA
Q9	BN83-00070A	CKD-TR-DIGITAL	0504-000129,GH17ASPS/XAZ,SEDA	SNA
R1	BN83-00282A	CKD-R-CHIP	2007-001039,GH17ASPS/XAZ,SEDA	SNA
R10	BN83-00272A	CKD-R-CHIP	2007-000300,GH17ASPS/XAZ,SEDA	SNA

Loc. No.	Code No.	Description	Specification	Remarks
R100	BN83-00106A	CKD-VR-SMD	2104-000224,GH17ASPS/XAZ,SEDA	SNA
R101	BN83-00273A	CKD-50CHIP	2007-000534,GH17ASPS/XAZ,SEDA	SNA
R102	BN83-00273A	CKD-50CHIP	2007-000534,GH17ASPS/XAZ,SEDA	SNA
R103	BN83-00273A	CKD-50CHIP	2007-000534,GH17ASPS/XAZ,SEDA	SNA
R104	BN83-00273A	CKD-50CHIP	2007-000534,GH17ASPS/XAZ,SEDA	SNA
R105	BN83-00273A	CKD-50CHIP	2007-000534,GH17ASPS/XAZ,SEDA	SNA
R106	BN83-00273A	CKD-50CHIP	2007-000534,GH17ASPS/XAZ,SEDA	SNA
R107	BN83-00273A	CKD-50CHIP	2007-000534,GH17ASPS/XAZ,SEDA	SNA
R108	BN83-00273A	CKD-50CHIP	2007-000534,GH17ASPS/XAZ,SEDA	SNA
R11	BN83-00284A	CKD-CHIP	2007-001241,GH17ASPS/XAZ,SEDA	SNA
R12	BN83-00284A	CKD-CHIP	2007-001241,GH17ASPS/XAZ,SEDA	SNA
R13	BN83-00284A	CKD-CHIP	2007-001241,GH17ASPS/XAZ,SEDA	SNA
R14	BN83-00284A	CKD-CHIP	2007-001241,GH17ASPS/XAZ,SEDA	SNA
R15	BN83-00284A	CKD-CHIP	2007-001241,GH17ASPS/XAZ,SEDA	SNA
R16	BN83-00284A	CKD-CHIP	2007-001241,GH17ASPS/XAZ,SEDA	SNA
R17	BN83-00284A	CKD-CHIP	2007-001241,GH17ASPS/XAZ,SEDA	SNA
R18	BN83-00284A	CKD-CHIP	2007-001241,GH17ASPS/XAZ,SEDA	SNA
R19	BN83-00284A	CKD-CHIP	2007-001241,GH17ASPS/XAZ,SEDA	SNA
R2	BN83-00281A	CKD-R-CHIP	2007-000941,GH17ASPS/XAZ,SEDA	SNA
R20	BN83-00284A	CKD-CHIP	2007-001241,GH17ASPS/XAZ,SEDA	SNA
R21	BN83-00278A	CKD-R-CHIP	2007-000793,GH17ASPS/XAZ,SEDA	SNA
R22	BN83-00278A	CKD-R-CHIP	2007-000793,GH17ASPS/XAZ,SEDA	SNA
R23	BN83-00282A	CKD-R-CHIP	2007-001039,GH17ASPS/XAZ,SEDA	SNA
R24	BN83-00282A	CKD-R-CHIP	2007-001039,GH17ASPS/XAZ,SEDA	SNA
R25	BN83-00277A	CKD-R-CHIP	2007-000703,GH17ASPS/XAZ,SEDA	SNA
R27	BN83-00285A	CKD-R-CHIP	2007-001710,GH17ASPS/XAZ,SEDA	SNA
R28	BN83-00271A	CKD-R-CHIP	2007-000282,GH17ASPS/XAZ,SEDA	SNA
R29	BN83-00282A	CKD-R-CHIP	2007-001039,GH17ASPS/XAZ,SEDA	SNA
R3	BN83-00282A	CKD-R-CHIP	2007-001039,GH17ASPS/XAZ,SEDA	SNA
R30	BN83-00285A	CKD-R-CHIP	2007-001710,GH17ASPS/XAZ,SEDA	SNA
R31	BN83-00272A	CKD-R-CHIP	2007-000300,GH17ASPS/XAZ,SEDA	SNA
R34	BN83-00092A	CKD-R-CHIP	2007-000872,GH17ASPS/XAZ,SEDA	SNA
R35	BN83-00268A	CKD-R-CHIP	2007-000003,GH17ASPS/XAZ,SEDA	SNA
R36	BN83-00272A	CKD-R-CHIP	2007-000300,GH17ASPS/XAZ,SEDA	SNA
R37	BN83-00284A	CKD-CHIP	2007-001241,GH17ASPS/XAZ,SEDA	SNA
R38	BN83-00284A	CKD-CHIP	2007-001241,GH17ASPS/XAZ,SEDA	SNA
R39	BN83-00284A	CKD-CHIP	2007-001241,GH17ASPS/XAZ,SEDA	SNA
R4	BN83-00279A	CKD-R-CHIP	2007-000830,GH17ASPS/XAZ,SEDA	SNA
R40	BN83-00284A	CKD-CHIP	2007-001241,GH17ASPS/XAZ,SEDA	SNA
R41	BN83-00284A	CKD-CHIP	2007-001241,GH17ASPS/XAZ,SEDA	SNA
R42	BN83-00284A	CKD-CHIP	2007-001241,GH17ASPS/XAZ,SEDA	SNA
R43	BN83-00284A	CKD-CHIP	2007-001241,GH17ASPS/XAZ,SEDA	SNA
R44	BN83-00284A	CKD-CHIP	2007-001241,GH17ASPS/XAZ,SEDA	SNA
R45	BN83-00284A	CKD-CHIP	2007-001241,GH17ASPS/XAZ,SEDA	SNA
R46	BN83-00284A	CKD-CHIP	2007-001241,GH17ASPS/XAZ,SEDA	SNA
R47	BN83-00278A	CKD-R-CHIP	2007-000793,GH17ASPS/XAZ,SEDA	SNA
R48	BN83-00278A	CKD-R-CHIP	2007-000793,GH17ASPS/XAZ,SEDA	SNA
R49	BN83-00282A	CKD-R-CHIP	2007-001039,GH17ASPS/XAZ,SEDA	SNA
R5	BN83-00275A	CKD-R-CHIP	2007-000615,GH17ASPS/XAZ,SEDA	SNA
R50	BN83-00282A	CKD-R-CHIP	2007-001039,GH17ASPS/XAZ,SEDA	SNA
R52	BN83-00277A	CKD-R-CHIP	2007-000703,GH17ASPS/XAZ,SEDA	SNA
R54	BN83-00285A	CKD-R-CHIP	2007-001710,GH17ASPS/XAZ,SEDA	SNA
R55	BN83-00282A	CKD-R-CHIP	2007-001039,GH17ASPS/XAZ,SEDA	SNA
R56	BN83-00285A	CKD-R-CHIP	2007-001710,GH17ASPS/XAZ,SEDA	SNA
R57	BN83-00272A	CKD-R-CHIP	2007-000300,GH17ASPS/XAZ,SEDA	SNA
R6	BN83-00283A	CKD-R-CHIP	2007-001113,GH17ASPS/XAZ,SEDA	SNA
R61	BN83-00280A	CKD-R-CHIP	2007-000844,GH17ASPS/XAZ,SEDA	SNA
R62	BN83-00272A	CKD-R-CHIP	2007-000300,GH17ASPS/XAZ,SEDA	SNA
R63	BN83-00278A	CKD-R-CHIP	2007-000793,GH17ASPS/XAZ,SEDA	SNA
R64	BN83-00280A	CKD-R-CHIP	2007-000844,GH17ASPS/XAZ,SEDA	SNA
R65	BN83-00272A	CKD-R-CHIP	2007-000300,GH17ASPS/XAZ,SEDA	SNA
R66	BN83-00278A	CKD-R-CHIP	2007-000793,GH17ASPS/XAZ,SEDA	SNA
R69	BN83-00098A	CKD-R-CHIP	2007-000269,GH17ASPS/XAZ,SEDA	SNA
R70	BN83-00271A	CKD-R-CHIP	2007-000282,GH17ASPS/XAZ,SEDA	SNA
R71	BN83-00274A	CKD-R-CHIP	2007-000546,GH17ASPS/XAZ,SEDA	SNA
R72	BN83-00274A	CKD-R-CHIP	2007-000546,GH17ASPS/XAZ,SEDA	SNA
R73	BN83-00270A	CKD-R-CHIP	2007-000221,GH17ASPS/XAZ,SEDA	SNA

Loc. No.	Code No.	Description	Specification	Remarks
R74	BN83-00270A	CKD-R-CHIP	2007-000221,GH17ASPS/XAZ,SEDA	SNA
R75	BN83-00270A	CKD-R-CHIP	2007-000221,GH17ASPS/XAZ,SEDA	SNA
R76	BN83-00270A	CKD-R-CHIP	2007-000221,GH17ASPS/XAZ,SEDA	SNA
R77	BN83-00271A	CKD-R-CHIP	2007-000282,GH17ASPS/XAZ,SEDA	SNA
R78	BN83-00271A	CKD-R-CHIP	2007-000282,GH17ASPS/XAZ,SEDA	SNA
R79	BN83-00283A	CKD-R-CHIP	2007-001113,GH17ASPS/XAZ,SEDA	SNA
R8	BN83-00092A	CKD-R-CHIP	2007-000872,GH17ASPS/XAZ,SEDA	SNA
R81	BN83-00286A	CKD-R-CHIP	2007-002529,GH17ASPS/XAZ,SEDA	SNA
R82	BN83-00286A	CKD-R-CHIP	2007-002529,GH17ASPS/XAZ,SEDA	SNA
R84	BN83-00271A	CKD-R-CHIP	2007-000282,GH17ASPS/XAZ,SEDA	SNA
R85	BN83-00271A	CKD-R-CHIP	2007-000282,GH17ASPS/XAZ,SEDA	SNA
R86	BN83-00276A	CKD-R-CHIP	2007-000689,GH17ASPS/XAZ,SEDA	SNA
R87	BN83-00276A	CKD-R-CHIP	2007-000689,GH17ASPS/XAZ,SEDA	SNA
R9	BN83-00268A	CKD-R-CHIP	2007-000003,GH17ASPS/XAZ,SEDA	SNA
R91	BN83-00271A	CKD-R-CHIP	2007-000282,GH17ASPS/XAZ,SEDA	SNA
R92	BN83-00271A	CKD-R-CHIP	2007-000282,GH17ASPS/XAZ,SEDA	SNA
R93	BN83-00269A	CKD-R-CHIP	2007-000029,GH17ASPS/XAZ,SEDA	SNA
R94	BN83-00285A	CKD-R-CHIP	2007-001710,GH17ASPS/XAZ,SEDA	SNA
R95	BN83-00272A	CKD-R-CHIP	2007-000300,GH17ASPS/XAZ,SEDA	SNA
T1	BN83-00295A	CKD-TRANS-INVERTER	LH26-00136A,GH17ASPS/XAZ,SEDA	SNA
T2	BN83-00293A	CKD-TRANS	LH26-00135A,GH17ASPS/XAZ,SEDA	SNA
T3	BN83-00293A	CKD-TRANS	LH26-00135A,GH17ASPS/XAZ,SEDA	SNA
T4	BN83-00295A	CKD-TRANS-INVERTER	LH26-00136A,GH17ASPS/XAZ,SEDA	SNA
U1	BN83-00066A	CKD-IC-OP AMP	1201-000471,GH17ASPS/XAZ,SEDA	SNA
U2	BN83-00067A	CKD-IC-VOLTAGE COMP	1202-000104,GH17ASPS/XAZ,SEDA	SNA
U3	BN83-00067A	CKD-IC-VOLTAGE COMP	1202-000104,GH17ASPS/XAZ,SEDA	SNA
U4	BN83-00065A	CKD-IC-VOL REFERENCE	1203-000560,GH17ASPS/XAZ,SEDA	SNA
U5	BN83-00067A	CKD-IC-VOLTAGE COMP	1202-000104,GH17ASPS/XAZ,SEDA	SNA
CIS	BN90-00030C	ASSY SHIELD-D-SUB		SNA
CIS	BN96-00441B	ASSY MISC P-SHIELD COVER	ARES17,PAL,SECC T0.8	SNA
CIS	6003-000117	SCREW-TAPTITE	BH,+B,M3,L6,ZPC(YEL),SWRCH18A	SNA
CIS	6502-000131	CABLE CLAMP	DAWS-1NA,ID10,-,NTR,NYLON66	SNA
CIS	BH68-30003B	LABEL-HIGH VOLTAGE	CKA4217(C),ART,100G,YEL,BLK,W30*L30,CDT-TUBE	SNA
CIS	BN63-00697B	SHIELD-PCB	ARES17,SECC,T0.8,PAL	SNA
CIS	BN63-00698A	SHIELD-SUB PCB	ARES17,SPTT,T0.3,,,,	SNA
CIS	BN71-00022A	EARTH PLATE	RB15AS,SUS,T0.15	SNA
CIS	BN71-00024A	EARTH-PLATE	GH17LS,SUS,T0.15	SNA
-	BN91-00640G	ASSY SHIELD	AS15SO	SNA
C/F+AV/JACK	6003-000277	SCREW-TAPTITE	BH,+B,M3,L12,ZPC(YEL),SWRCH18	SNA
C/F+BRKT/SUPPO	6003-000277	SCREW-TAPTITE	BH,+B,M3,L12,ZPC(YEL),SWRCH18	SNA
C/F+H/PCB	6003-000277	SCREW-TAPTITE	BH,+B,M3,L12,ZPC(YEL),SWRCH18	SNA
C/F+SH/PCB	6003-000277	SCREW-TAPTITE	BH,+B,M3,L12,ZPC(YEL),SWRCH18	SNA
CIS	BN02-00010A	TAPE ETC	MINERVA,AL-TAPE,0.07MM,60MM,80MM,SILVER,DK-100-60-80	SNA
CIS	BN39-00202B	LEAD CONNECTOR-ASSY	ES17AS,UJ2835#28,UJCSA,12P,250MM,#28,SMH#200-12,12505HS-12,BK,2835#28,SJ01-01-26	SNA
CIS	BN61-00426A	HOLDER-PCB	ARES17,ABS,,,,	SNA
CIS	BN70-00192A	BRACKET-SUPPORT	RB15AS,SECC,0.8	SNA
SH/PCB+AV/WIRE	6003-000117	SCREW-TAPTITE	BH,+B,M3,L6,ZPC(YEL),SWRCH18A	SNA
CIS	BN96-00543A	ASSY BOARD P-AV JACK	AS17UO,AV JACK,107*38mm	SNA
-	BN92-00737G	ASSY BOX	AS15SO	SNA
CIS	BH68-00329A	LABEL BAR CODE	ALL,MPRII,DOM,EXPORT,ART-PAPER 90G,-,-,-,-,WHT,-,-	SNA
CIS	BH75-10529C	UNIT-HANDLE/PACKING	S/M170MP,PE-LD,PE-HD,-,WHITE,-	SNA
CIS	BN72-60001A	LEVER TOP	LSD210TL,PE-LD,WHITE,TFT_LCD	SNA
CIS	BN72-60002C	LEVER BOTTOM	S/M170MP,PE-HD,BLUE	SNA
CIS	BN69-00552A	PACKING CASE	17E3(ARES),SW4 A,A1,581,461,151,WHT,OFFSET(SEA)	SNA
-	BN92-00738G	ASSY LABEL	AS15SO	SNA
CIS	BN68-00412B	LABEL-BAR CODE	ARES/VICTORIA,EUROPE,PE,T0.05,60*35,POLYESTER	SNA
CIS	BN68-00436C	LABEL RATING	RB17AS,ASIA,M-EAST,PC EMBO,T0.178,146*76,GRAY,ARES	SNA
-	BN92-00739G	ASSY ACCESSORY	AS15SO	SNA
ACCESSORY	BN96-00516P	ASSY ACCESSORY	AS15SO	SNA

7 Electrical Parts List

Loc. No.	Code No.	Description	Specification	Remarks
ACCESSORY	0203-000214	TAPE-OPP MASKING	OPP/W50/CLR,TO.05,W50,L400000,	SNA
ACCESSORY	4301-000121	BATTERY-MN	1.5V,-,AAA,10.5x44,5m,HOLDER	
ACCESSORY	6902-000110	BAG PE	LDPE,TO.05,L356,W240,TRP,28,2,PE MARK	SNA
ACCESSORY	AA68-00371C	CARD WARRANTY-01	,SEA,W/P100(G),1 YEAR	SNA
ACCESSORY	AA68-40065B	CARD-REGISTRATION	,SEA,A5,ENG,A/P220,2P(SIDES),4	SNA
ACCESSORY	BH39-10339X	CBF POWER CORD	DET,SVT,125V/7A,BLK,1830,WALL(ST),MSP-33,MSC-30	
ACCESSORY	BN39-00043A	CBF SIGNAL	DETACHABLE,-,15P/15P,-,-,-	
ACCESSORY	BN59-00302A	REMOCON	,TM71,EOS,37,GR20,SS,DO	
ACCESSORY	BN68-00438G	MANUAL USERS	LS15E33C,LS17E34C,SAMSUNG,En,HK,00	SNA
-	BN92-00740B	ASSY P/MATERIAL	AS17UO	SNA
CIS	0203-001100	TAPE-OPP MASKING	OPP/W75/CLR,TO.05,W75,L800000,CLR	SNA
P/M	6902-000520	BAG PE	HDPE/NITRON(DOUBLE),TO.015/TO.5(DOUBLE),W700,L700,TRP,28 LANGUAGE,2-	SNA
P/MATERIAL	6902-000539	BAG SHEET	HDPE+NITRON,TO.015+TO.5,W600,L250,-,-,2+ HOLE(40MM)	SNA
P/M	BH69-00256A	PAD-PACKING-EDGE	MV540,B400,200,2170,-,-,YEL,-,-	SNA
P/M	BH69-00457A	PACKING-PAD	GH17,FOAM,T3.0,1180,1130	SNA
P/M	BH69-30002C	BAG-PE	LDPE,TO.05,W2400,NO_PRINT	SNA
P/M	BH69-30360A	BAG-AIR	HDPE,TO.2,W1000*L1800,N,-,ALL	SNA
CIS	BH69-40379A	PACKING-WRAP	LDPE,W500*TO.02,-,-	SNA
P/M	BH69-40383L	PACKING-PAD	CB-SW4,W1200xD900,CHB7707	SNA
P/M	BN69-00131L	PALLET-PACKING	AL40NO,WOODEN,1350,955,120	SNA
P/M	BN69-00140C	PAD-PALLET COVER	DV17,SW,1100*3690,1258,-,-,-,-,-	SNA
P/M	BN69-00140Q	PAD-PALLET COVER	FP1701,SW,1000*4000,1350,-,-,-,-,-	SNA
P/M	BN69-00490A	CUSHION	ARES17,EPS,,,,,,50M	SNA

1 Precautions

Follow these safety, servicing and ESD precautions to prevent damage and to protect against potential hazards such as electrical shock.

1-1 Safety Precautions

1-1-1 Warnings

1. For continued safety, do not attempt to modify the circuit board.
2. Disconnect the AC power and DC Power Jack before servicing.

1-1-2 Servicing the LCD Monitor

1. When servicing the LCD Monitor disconnect the AC line cord from the AC outlet.
2. It is essential that service technicians have an accurate voltage meter available at all times. Check the calibration of this meter periodically.

1-1-3 Fire and Shock Hazard

Before returning the monitor to the user, perform the following safety checks:

1. Inspect each lead dress to make certain that the leads are not pinched or that hardware is not lodged between the chassis and other metal parts in the monitor.
2. Inspect all protective devices such as nonmetallic control knobs, insulating materials, cabinet backs, adjustment and compartment covers or shields, isolation resistor-capacitor networks, mechanical insulators, etc.
3. Leakage Current Hot Check (Figure 1-1):
WARNING: Do not use an isolation transformer during this test.

Use a leakage current tester or a metering system that complies with American National Standards Institute (*ANSI C101.1, Leakage Current for Appliances*), and Underwriters Laboratories (*UL Publication UL1410, 59.7*).

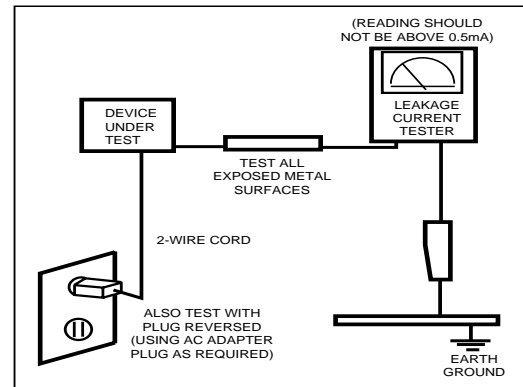


Figure 1-1. Leakage Current Test Circuit

4. With the unit completely reassembled, plug the AC line cord directly into a 120V AC outlet. With the unit's AC switch first in the ON position and then OFF, measure the current between a known earth ground (metal water pipe, conduit, etc.) and all exposed metal parts, including: metal cabinets, screwheads and control shafts. The current measured should not exceed 0.5 milliamp. Reverse the power-plug prongs in the AC outlet and repeat the test.

1-1-4 Product Safety Notices

Some electrical and mechanical parts have special safety-related characteristics which are often not evident from visual inspection. The protection they give may not be obtained by replacing them with components rated for higher voltage, wattage, etc. Parts that have special safety characteristics are identified by ⚠ on schematics and parts lists. A substitute replacement that does not have the same safety characteristics as the recommended replacement part might create shock, fire and/or other hazards. Product safety is under review continuously and new instructions are issued whenever appropriate.

1-2 Servicing Precautions

WARNING: An electrolytic capacitor installed with the wrong polarity might explode.

Caution: Before servicing units covered by this service manual, read and follow the Safety Precautions section of this manual.

Note: If unforeseen circumstances create conflict between the following servicing precautions and any of the safety precautions, always follow the safety precautions.

1-2-1 General Servicing Precautions

1. Always unplug the unit's AC power cord from the AC power source and disconnect the DC Power Jack before attempting to:
 - (a) remove or reinstall any component or assembly,
 - (b) disconnect PCB plugs or connectors, (c) connect a test component in parallel with an electrolytic capacitor.
2. Some components are raised above the printed circuit board for safety. An insulation tube or tape is sometimes used. The internal wiring is sometimes clamped to prevent contact with thermally hot components. Reinstall all such elements to their original position.
3. After servicing, always check that the screws, components and wiring have been correctly reinstalled. Make sure that the area around the serviced part has not been damaged.
4. Check the insulation between the blades of the AC plug and accessible conductive parts (examples: metal panels, input terminals and earphone jacks).
5. Insulation Checking Procedure: Disconnect the power cord from the AC source and turn the power switch ON. Connect an insulation resistance meter (500 V) to the blades of the AC plug.
The insulation resistance between each blade of the AC plug and accessible conductive parts (see above) should be greater than 1 megohm.
6. Always connect a test instrument's ground lead to the instrument chassis ground before connecting the positive lead; always remove the instrument's ground lead last.

1-3 Electrostatically Sensitive Devices (ESD) Precautions

Some semiconductor (solid state) devices can be easily damaged by static electricity. Such components are commonly called Electrostatically Sensitive Devices (ESD). Examples of typical ESD are integrated circuits and some field-effect transistors. The following techniques will reduce the incidence of component damage caused by static electricity.

1. Immediately before handling any semiconductor components or assemblies, drain the electrostatic charge from your body by touching a known earth ground. Alternatively, wear a discharging wrist-strap device. To avoid a shock hazard, be sure to remove the wrist strap before applying power to the monitor.
2. After removing an ESD-equipped assembly, place it on a conductive surface such as aluminum foil to prevent accumulation of an electrostatic charge.
3. Do not use freon-propelled chemicals. These can generate electrical charges sufficient to damage ESDs.
4. Use only a grounded-tip soldering iron to solder or desolder ESDs.
5. Use only an anti-static solder removal device. Some solder removal devices not classified as "anti-static" can generate electrical charges sufficient to damage ESDs.
6. Do not remove a replacement ESD from its protective package until you are ready to install it. Most replacement ESDs are packaged with leads that are electrically shorted together by conductive foam, aluminum foil or other conductive materials.
7. Immediately before removing the protective material from the leads of a replacement ESD, touch the protective material to the chassis or circuit assembly into which the device will be installed.
Caution: Be sure no power is applied to the chassis or circuit and observe all other safety precautions.
8. Minimize body motions when handling unpackaged replacement ESDs. Motions such as brushing clothes together, or lifting your foot from a carpeted floor can generate enough static electricity to damage an ESD.

2 Product Specifications

2-1 Specifications

Item	Description	
	LS15E33C	LS17E34C
LCD Panel	TFT-LCD panel, RGB vertical stripe, normally white, 15-Inch viewable, 0.297 mm pixel pitch	TFT-LCD panel, RGB vertical stripe, normally white, 17-Inch viewable, 0.264 mm pixel pitch
Scanning Frequency	Horizontal : 30 kHz ~ 69 kHz (Automatic) Vertical : 56 Hz ~ 75 Hz (Automatic)	30 kHz ~ 81 kHz (Automatic) 56 Hz ~ 75 Hz (Automatic)
Display Colors	16.7 Million colors	
Maximum Resolution	Horizontal : 1024 Pixels Vertical : 768 Pixels	1280 Pixels 1024 Pixels
Input Video Signal	Analog 0.7 Vp-p \pm 5% positive at 75 Ω , internally terminated	
Input Sync Signal	Type : Separate H/V, automatic synchronization without external switch of sync type Level : TTL level	
Maximum Pixel Clock rate	95 MHz	135 MHz
Active Display Horizontal/Vertical	304.1 mm / 228.1 mm	338.1 mm / 270.1 mm
AC power voltage & Frequency	AC 90 ~ 264 Volts, 60 / 50 Hz \pm 3 Hz	
Power Consumption	48 W (Max), (2W Power surge)	58 W (Max), (2W Power surge)
Dimensions (W x D x H) Set Package	18.2 x 7.2 x 12.8 Inches (460.9 x 182.2 x 325.1 mm) After installation of stand 18.1 x 3.4 x 12.2 Inches (460.9 x 87.6 x 305.5 mm) Without stand 21.1 x 16.9 x 6.9 Inches (535 x 429 x 175 mm)	20.3 x 7.1 x 14.6 Inches (514.6 x 180.9 x 371.3 mm) After installation of stand 21.3 x 3.5 x 13.8 Inches (514.6 x 89.0 x 351.1 mm) Without stand 23.3 x 18.6 x 6.9 Inches (593 x 473 x 175 mm)
Set Weight Package Weight	3.9 Kg (8.6 lbs) / 3.4 Kg (7.5 lbs) 6.2 Kg (13.7 lbs)	5.0 Kg (11.0 lbs) / 4.5 Kg (9.9 lbs) 6.8 Kg (15.0 lbs)
Environmental Considerations	Operating Temperature : 50 °F ~ 104 °F (10 °C ~ 40 °C) Operating Humidity : 10 % ~ 80 % Storage Temperature : -13 °F ~ 113 °F (-25 °C ~ 45 °C) Storage Humidity : 5 % ~ 95 %	
TV System	Tuning	Frequency Synthesize
	Color	PAL, NTSC, SECAM
	Sound	BTSC, ECJ, KOREA
Antenna Input	75 Ω , Coaxial Cable	
Sound Characteristic	– MAX internal speaker Out : Right => 3W, Left => 3W	
	– BASS Control Range : -12dB~ + 12dB – TREBLE Control Range : -12dB~ + 12dB – Headphone Out: RF => 5mW max (400m Vrms) A/V => 10mW max (580 Vrms), Max input sound: -9 dBm – Output Frequency : RF => 80 Hz ~ 15 kHz A/V => 80 Hz ~ 20 kHz	

2-2 Pin Assignments

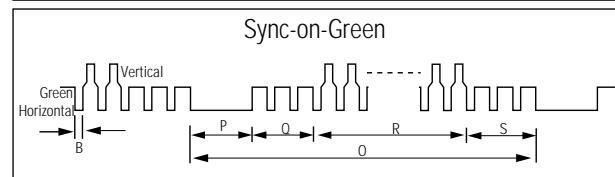
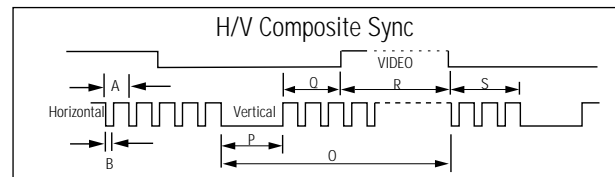
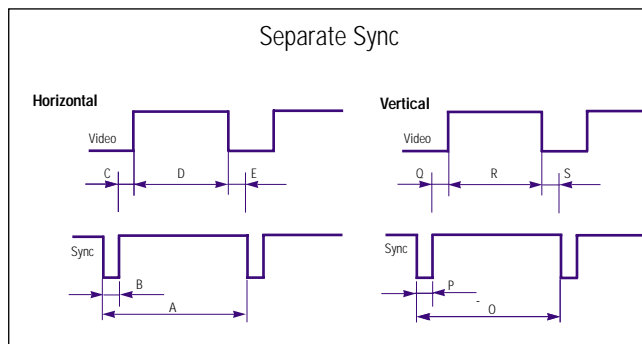
Pin No. \ Sync Type	Separate H/V	Composite H/V	Sync-on-green
1	Red	Red	Red
2	Green	Green	Green + H/V Sync.
3	Blue	Blue	Blue
4	GND	GND	GND
5	GND (DDC Return)	GND (DDC Return)	GND (DDC Return)
6	GND-Red	GND-Red	GND-Red
7	GND-Green	GND-Green	GND-Green
8	GND-Blue	GND-Blue	GND-Blue
9	No Connection	No Connection	Not Used
10	GND-Sync./Self Test	GND-Sync./Self Test	GND-Sync./Self Test
11	GND	GND	GND
12	DDC Data	DDC Data	DDC Data
13	Horizontal sync.	H/V-Sync.	Not Used
14	Vertical sync.	Not Used	Not Used
15	DDC Clock	DDC Clock	DDC Clock

2-3 Timing Chart

This section of the service manual describes the timing that the computer industry recognizes as standard for computer-generated video signals.

Table 2-1 Timing Chart

Mode Timing	IBM		VESA				
	VGA2/ 70 Hz 720 x 400	VGA3/ 60 Hz 640 x 480	640/75 Hz 640 x 480	800/75 Hz 800 x 600	1024/60Hz 1024 x 768	1024/75Hz 1024 x 768	1280/75Hz 1280x1024 (17" Only)
fH (KHz)	31.469	31.469	37.500	46.875	48.363	60.023	79.976
A μsec	31.777	31.778	26.667	21.333	20.677	16.660	12.504
B μsec	3.813	3.813	2.032	1.616	2.092	1.219	1.067
C μsec	1.589	1.589	3.810	3.232	2.462	2.235	1.837
D μsec	26.058	26.058	20.317	16.162	15.754	13.003	9.481
E μsec	0.318	0.318	0.508	0.323	0.369	0.203	0.119
fV (Hz)	70.087	59.940	75.000	75.000	60.004	75.029	75.025
O msec	14.268	16.683	13.333	13.333	16.666	13.328	13.329
P msec	0.064	0.064	0.080	0.064	0.124	0.050	0.038
Q msec	0.858	0.794	0.427	0.448	0.600	0.466	0.475
R msec	13.155	15.761	12.800	12.800	15.880	12.795	12.804
S msec	0.191	0.064	0.027	0.021	0.062	0.017	0.013
Clock Freq. (MHz)	28.322	25.175	31.500	49.500	75.000	78.750	135.000
Polarity H.Sync	Negative	Negative	Negative	Positive	Negative	Positive	Positive
V.Sync	Positive	Negative	Negative	Positive	Negative	Positive	Positive
Remark	Separate	Separate	Separate	Separate	Separate	Separate	Separate



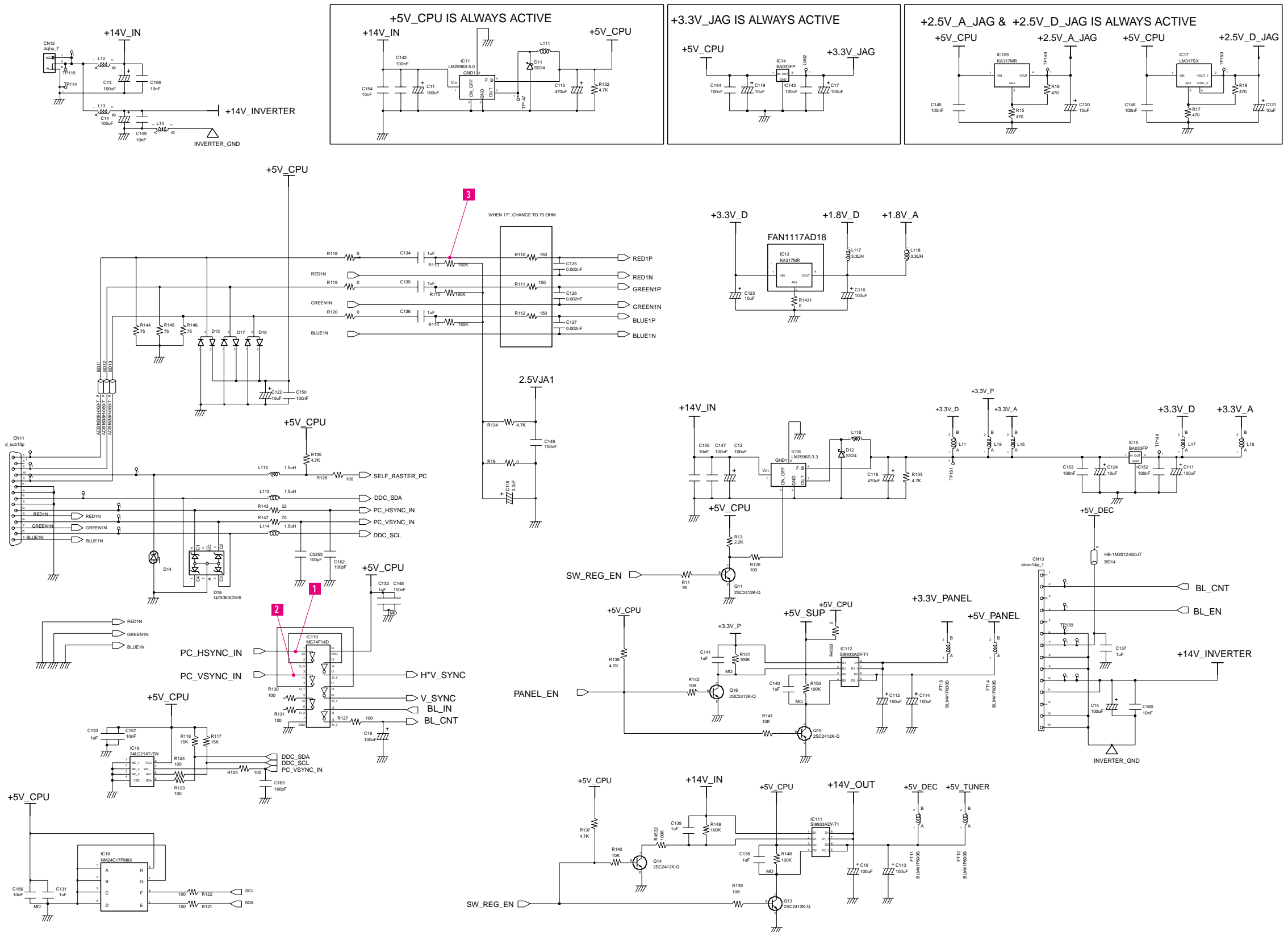
A : Line time total	B : Horizontal sync width	O : Frame time total	P : Vertical sync width
C : Back porch	D : Active time	Q : Back porch	R : Active time
E : Front porch		S : Front porch	

Memo

11 Schematic Diagrams

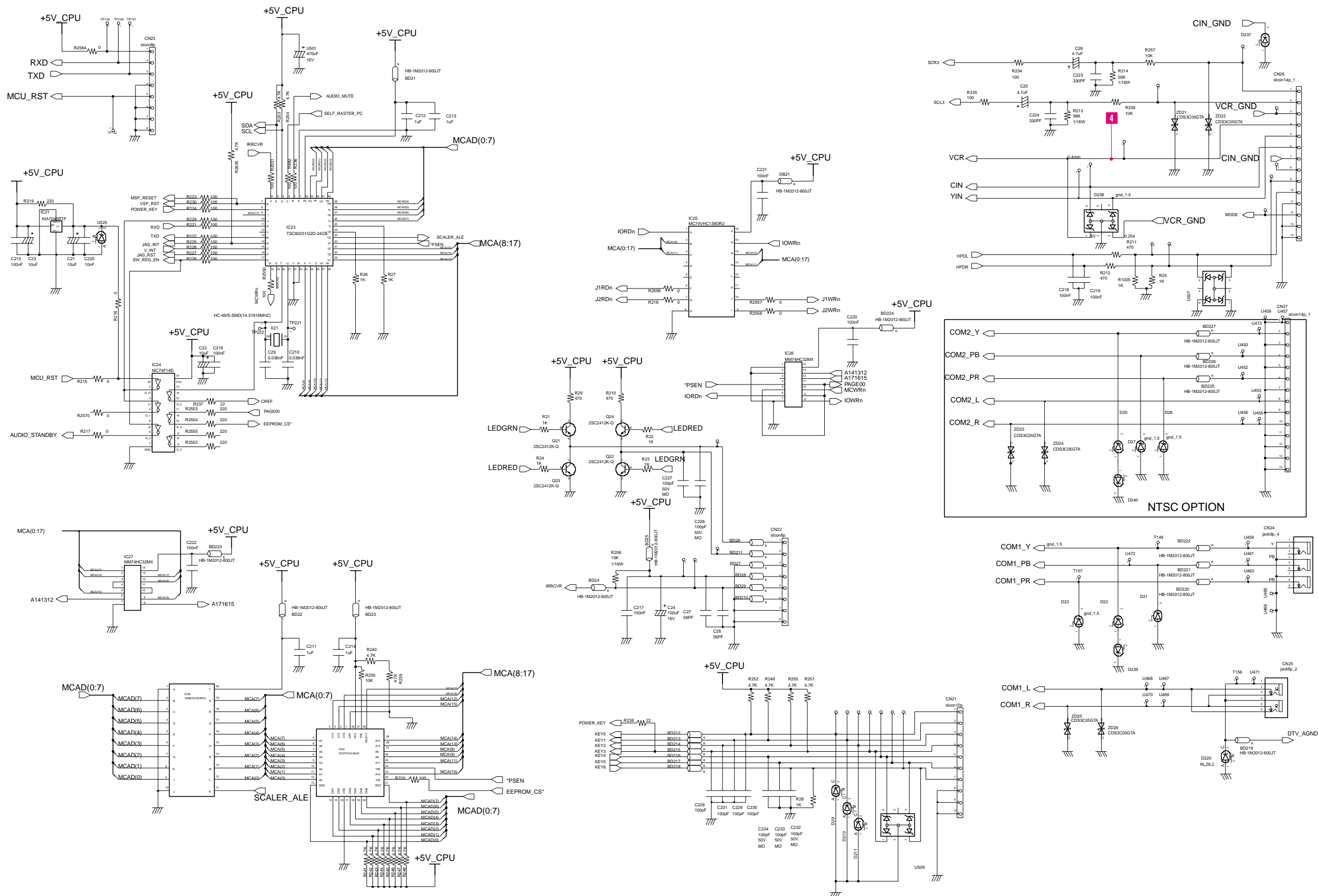
* This Document can not be used without Samsung's authorization.

11-1 Power Ares_ASIA Part Schematic Diagram



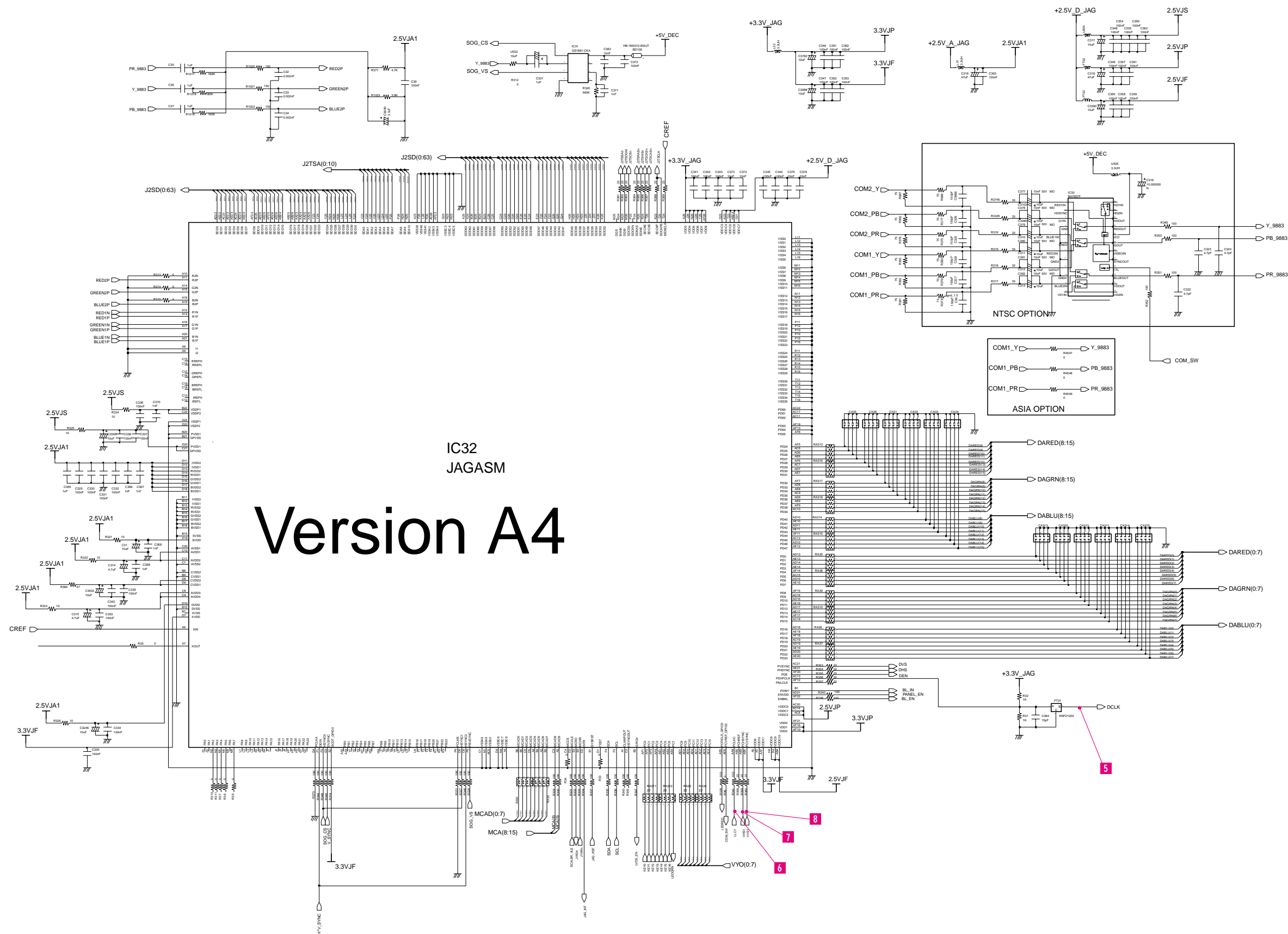
* This Document can not be used without Samsung's authorization.

11-2 MICOM / Jack Part Schematic Diagram

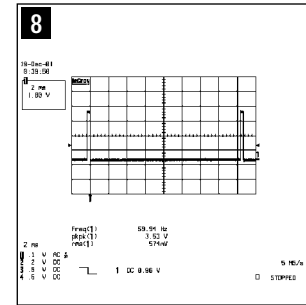
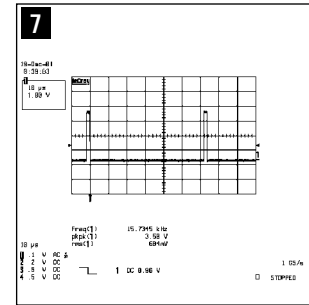
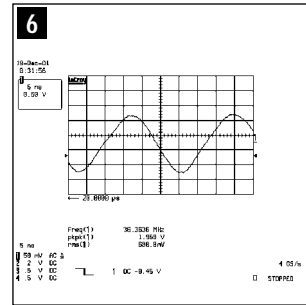
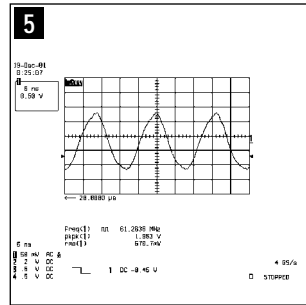


✳ This Document can not be used without Samsung's authorization.

11-3 Scalar Ares_ASIA Part Schematic Diagram

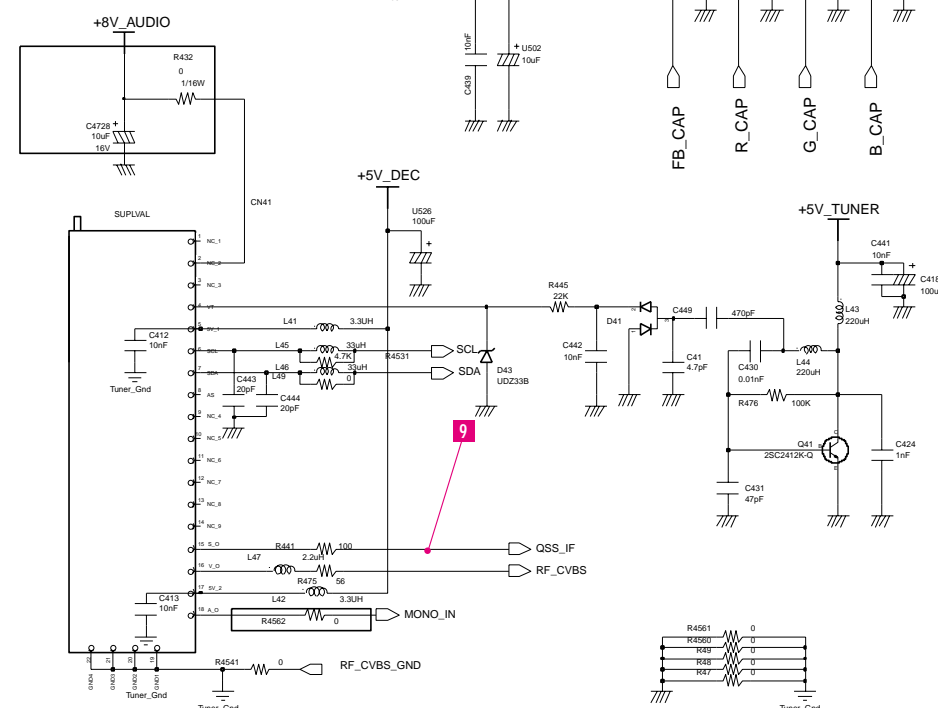
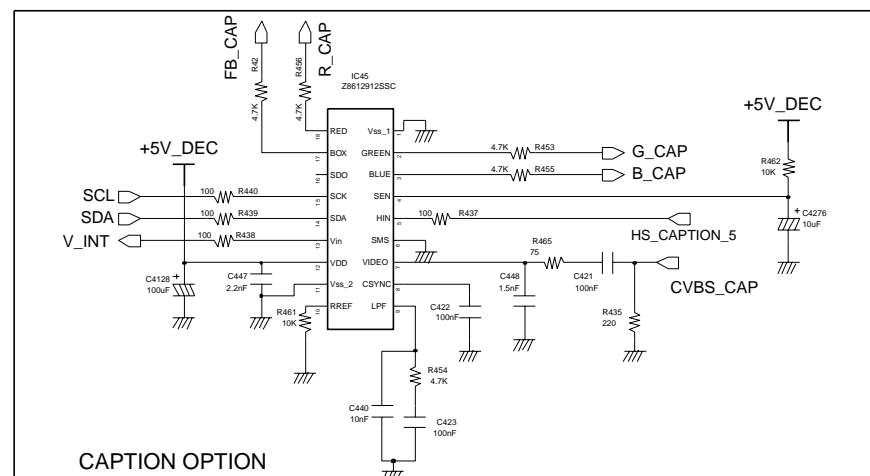
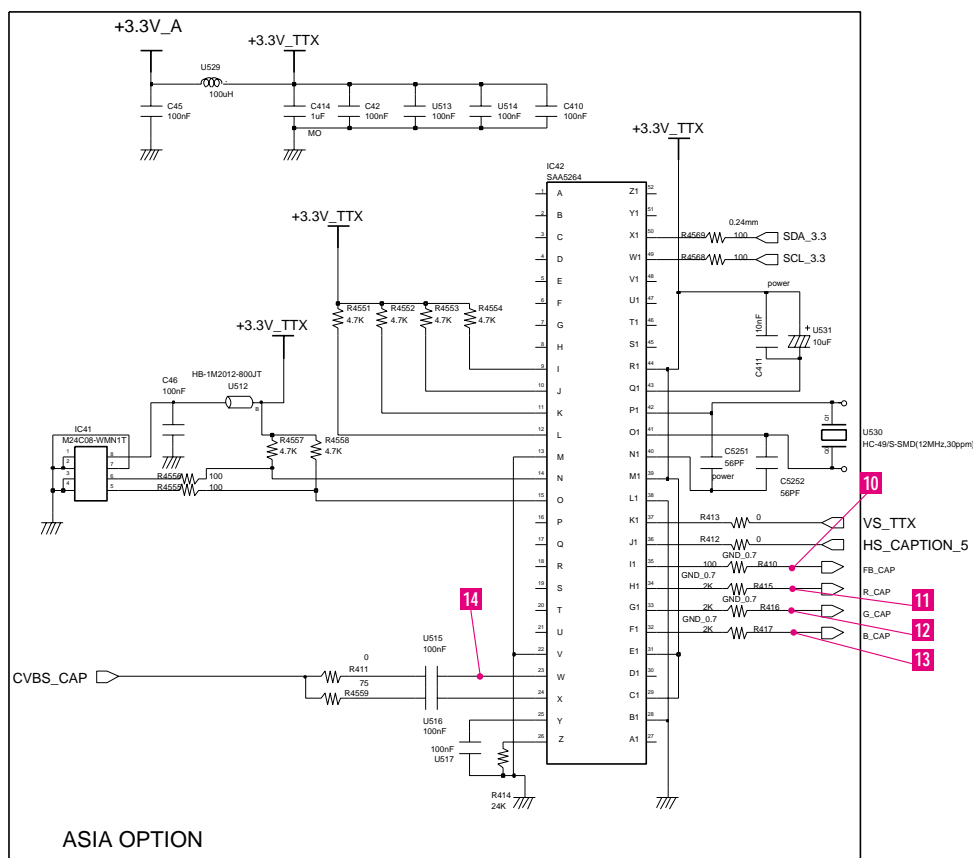
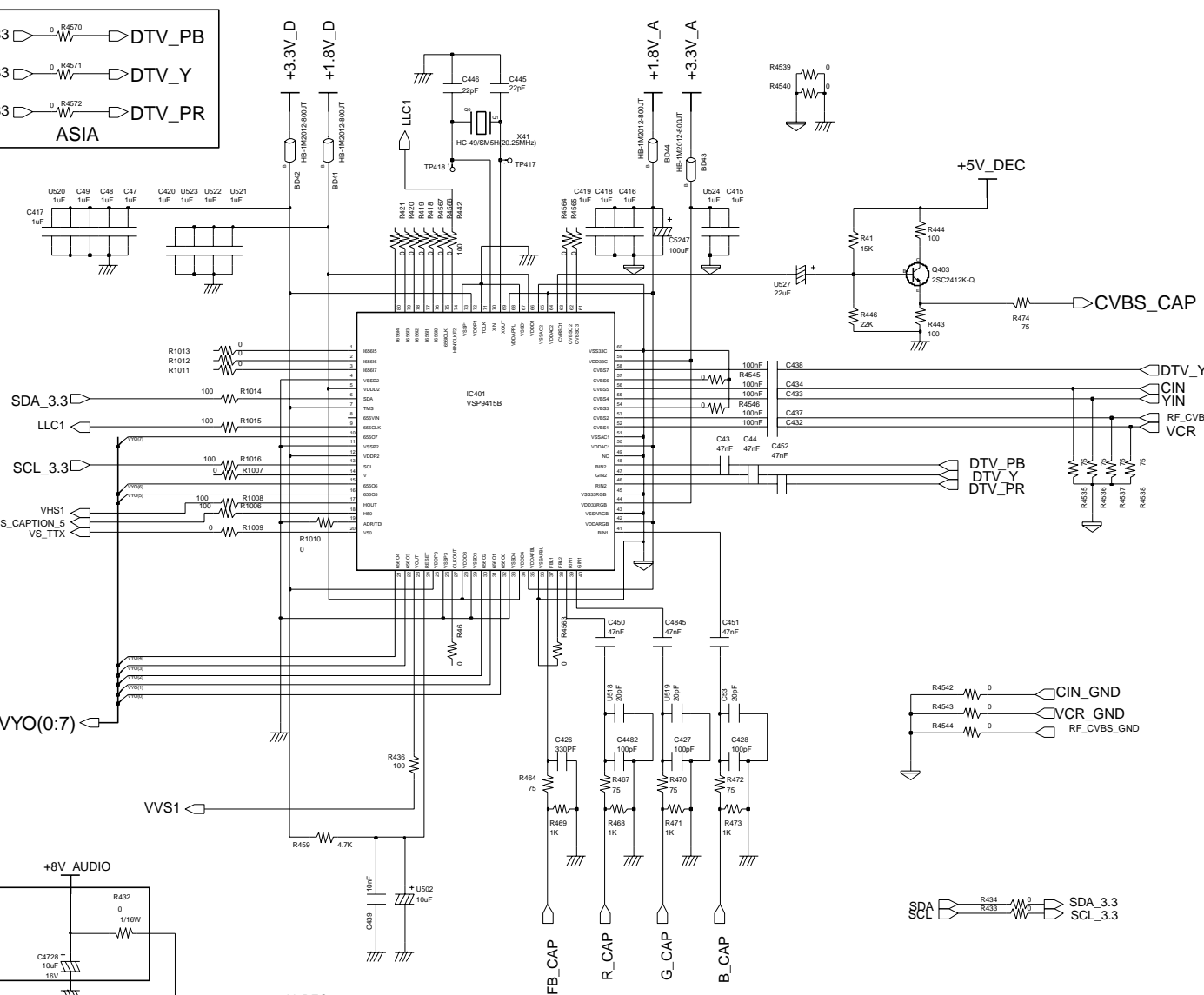
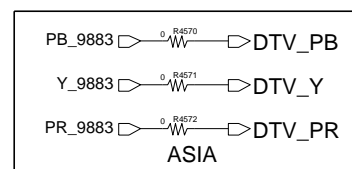
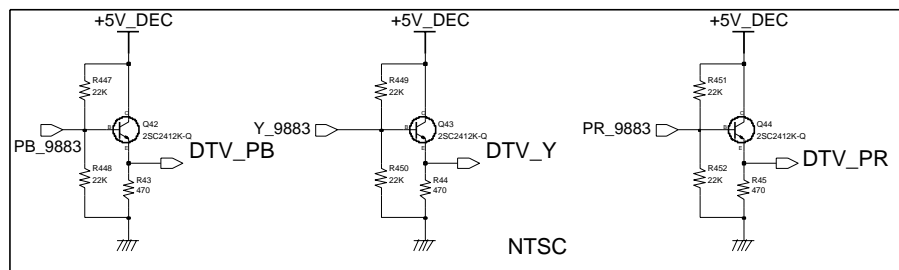


11 Schematic Diagrams

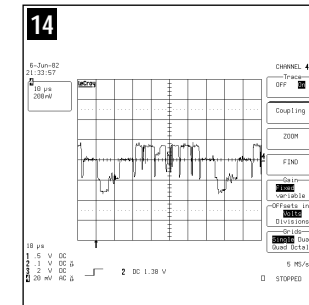
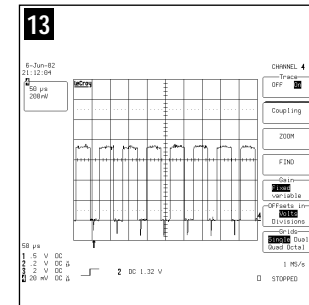
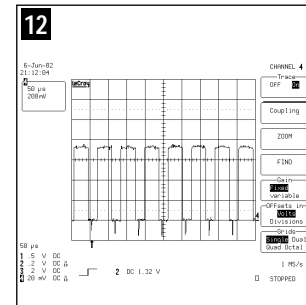
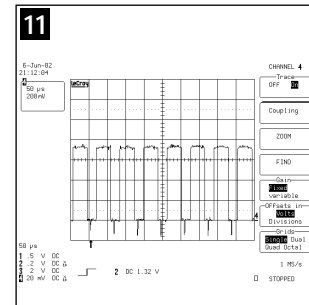
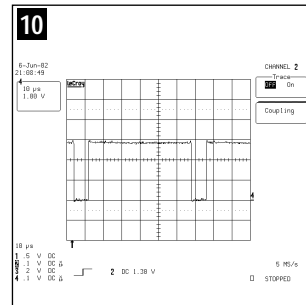
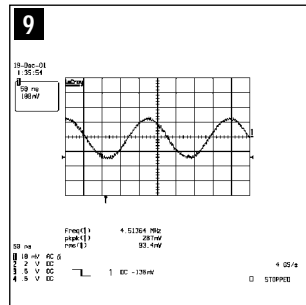


✳ This Document can not be used without Samsung's authorization.

11-4 Video Ares_ASIA Part Schematic Diagram

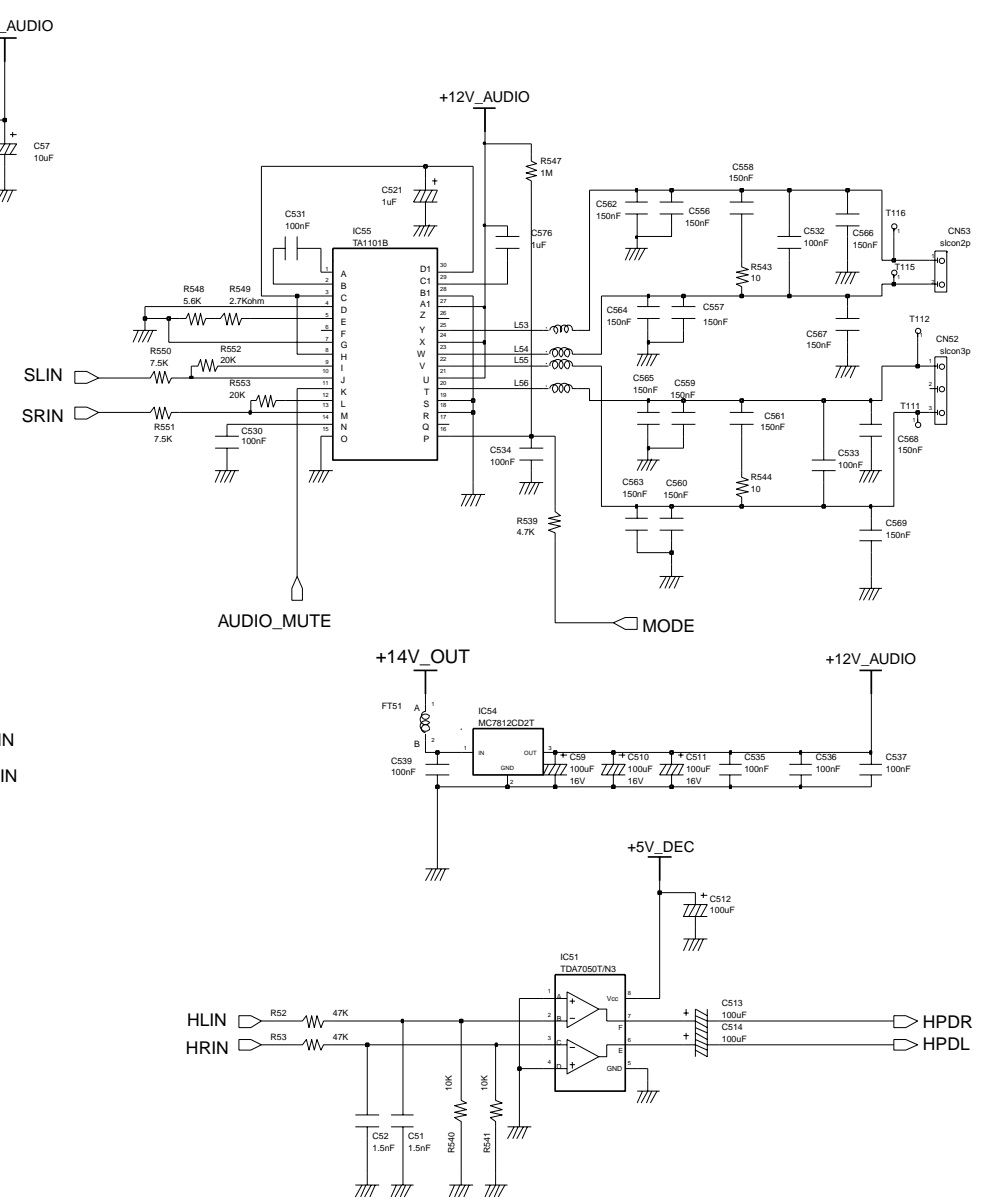
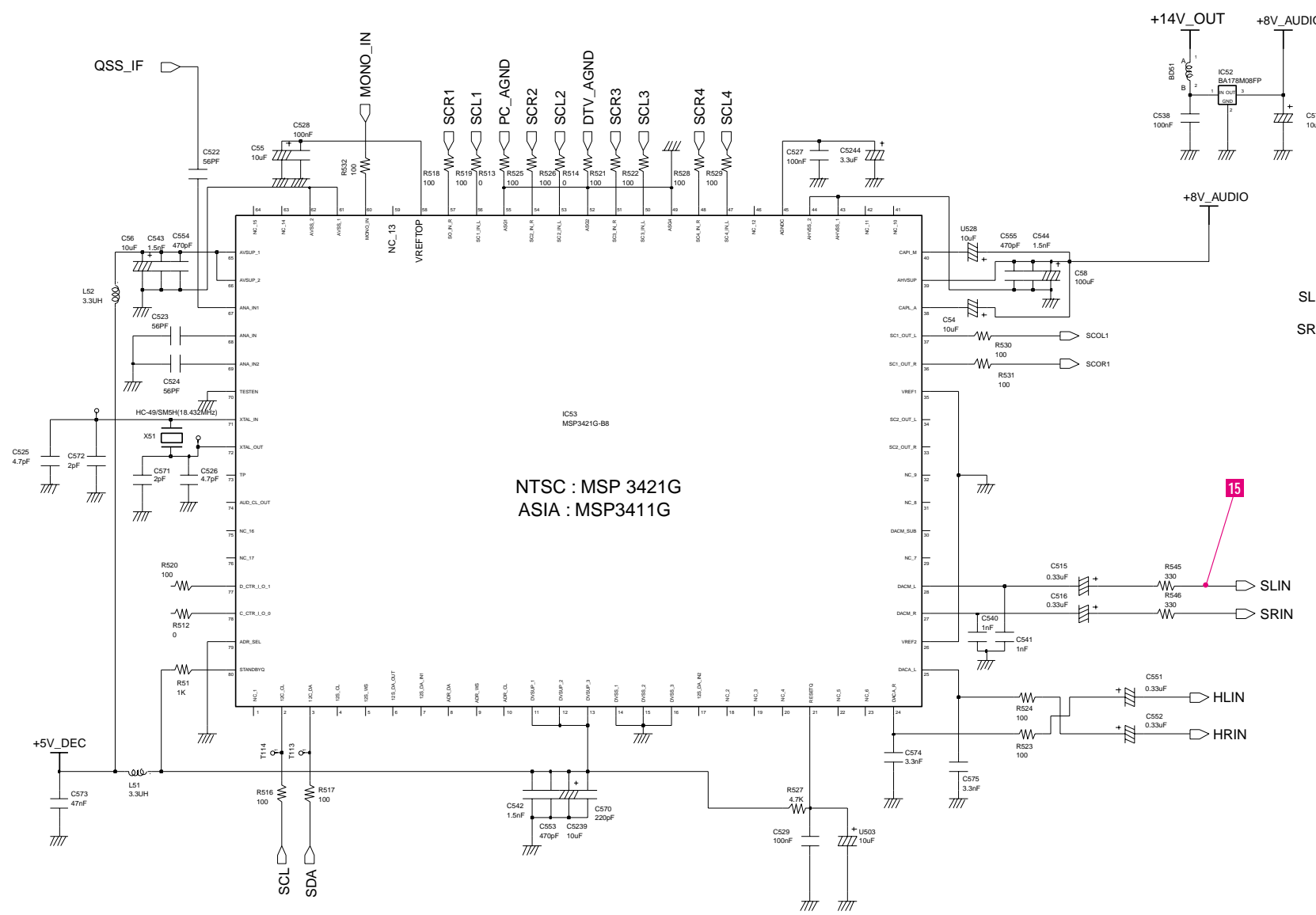


11 Schematic Diagrams



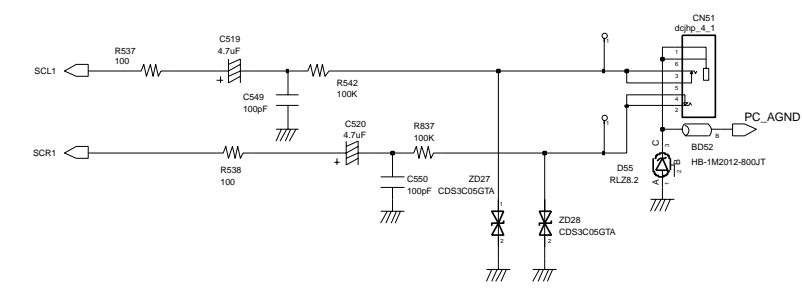
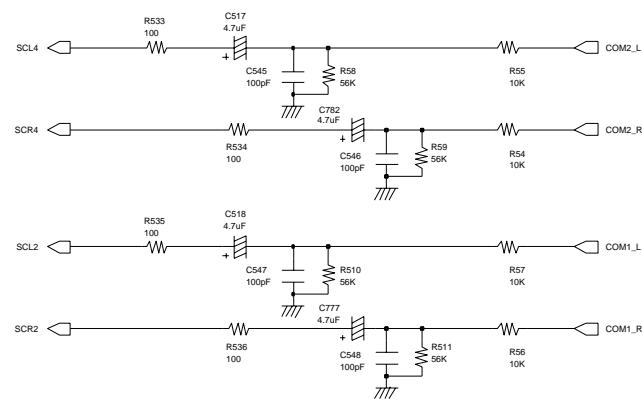
✳ This Document can not be used without Samsung's authorization.

11-5 Audio Part Schematic Diagram

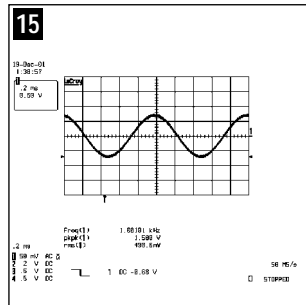


PLEASE START WITH THIS LOCATION
WHEN YOU HAVE A CHANCE TO CORRECT SCHEMATIC
AFTER CORRECTING IT !!!!!!!
THEN , PLEASE UPDATE LOCATION NUMBER

R755	CN702	
C778		
X702		
IC705		
L706		
FT701		

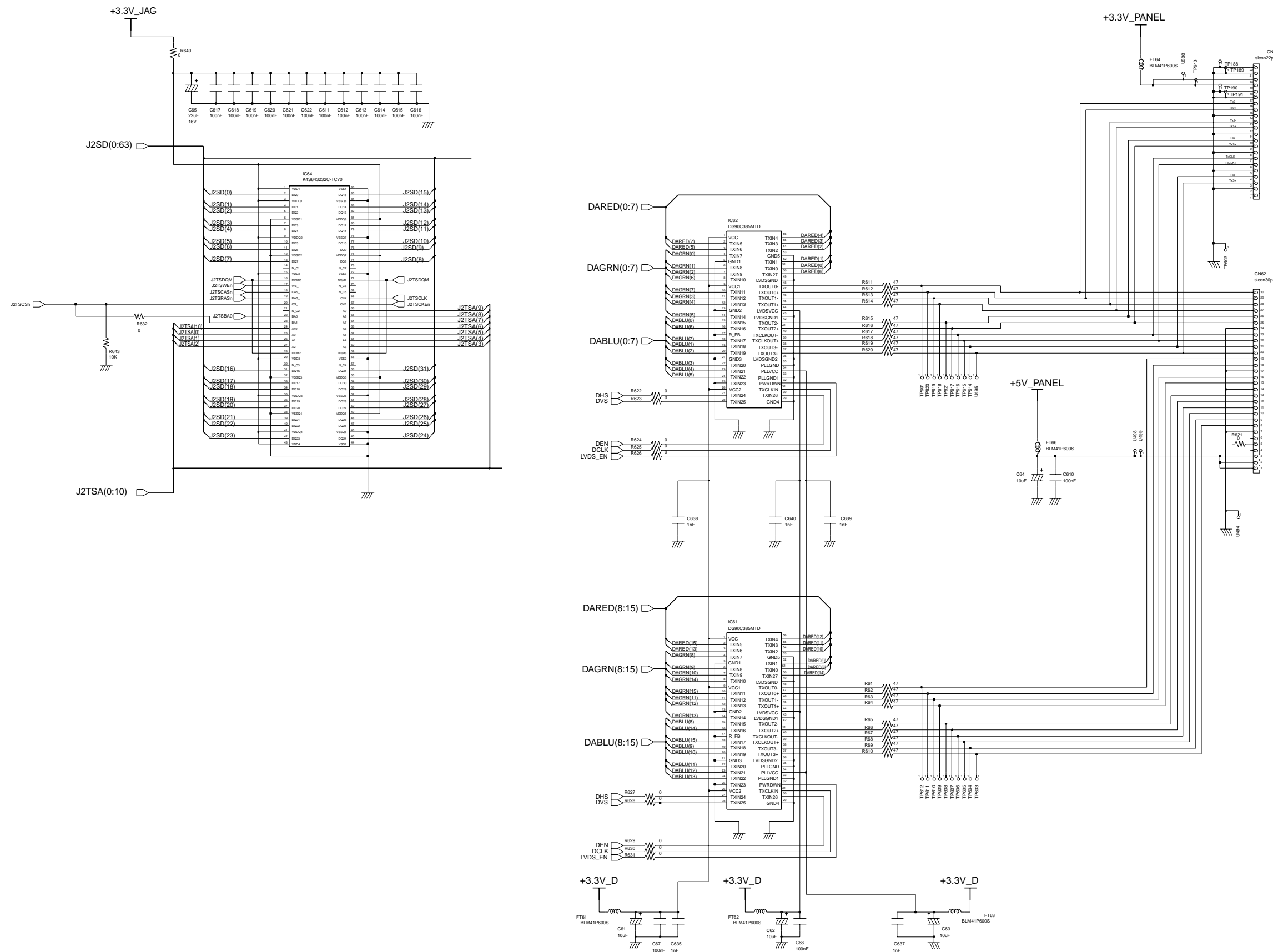


11 Schematic Diagrams



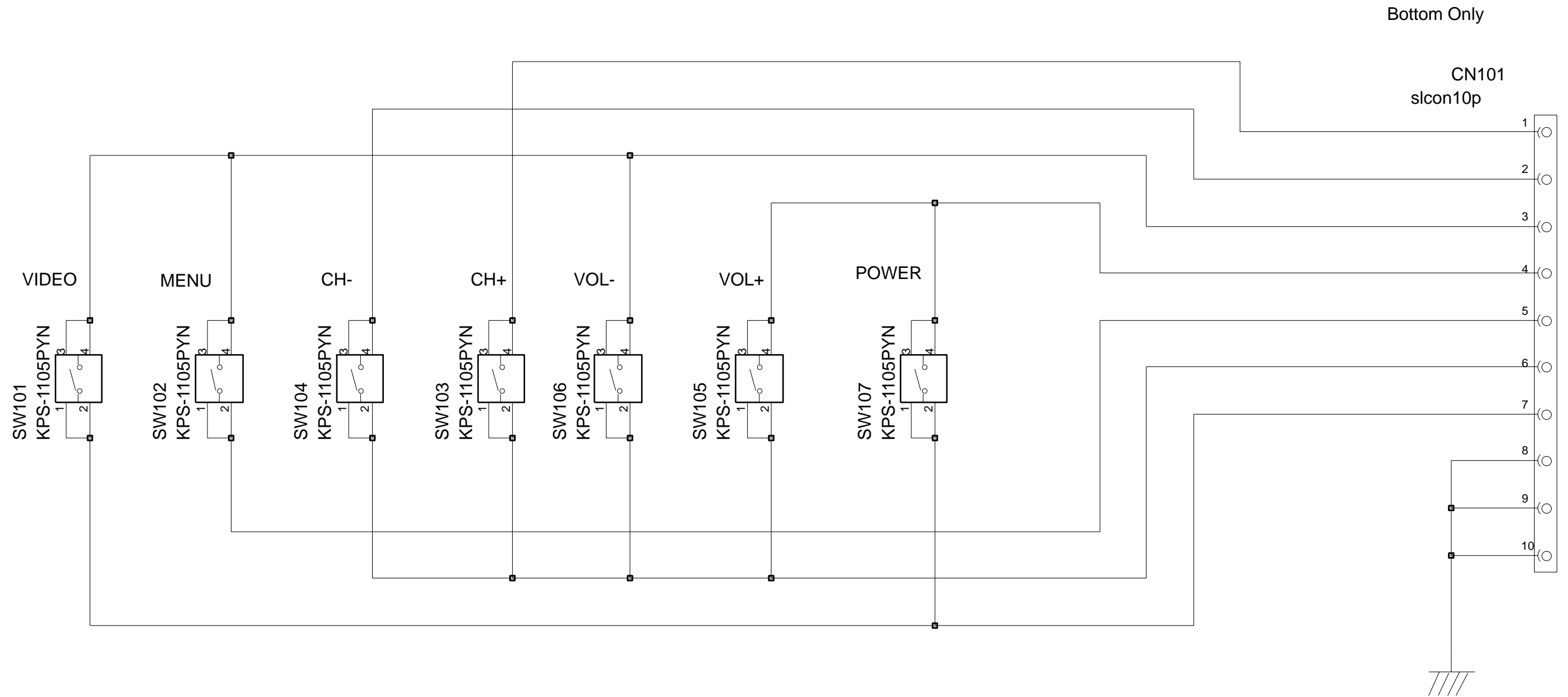
✳ This Document can not be used without Samsung's authorization.

11-6 LVDS & RAM Ares_ASIA Part Schematic Diagram



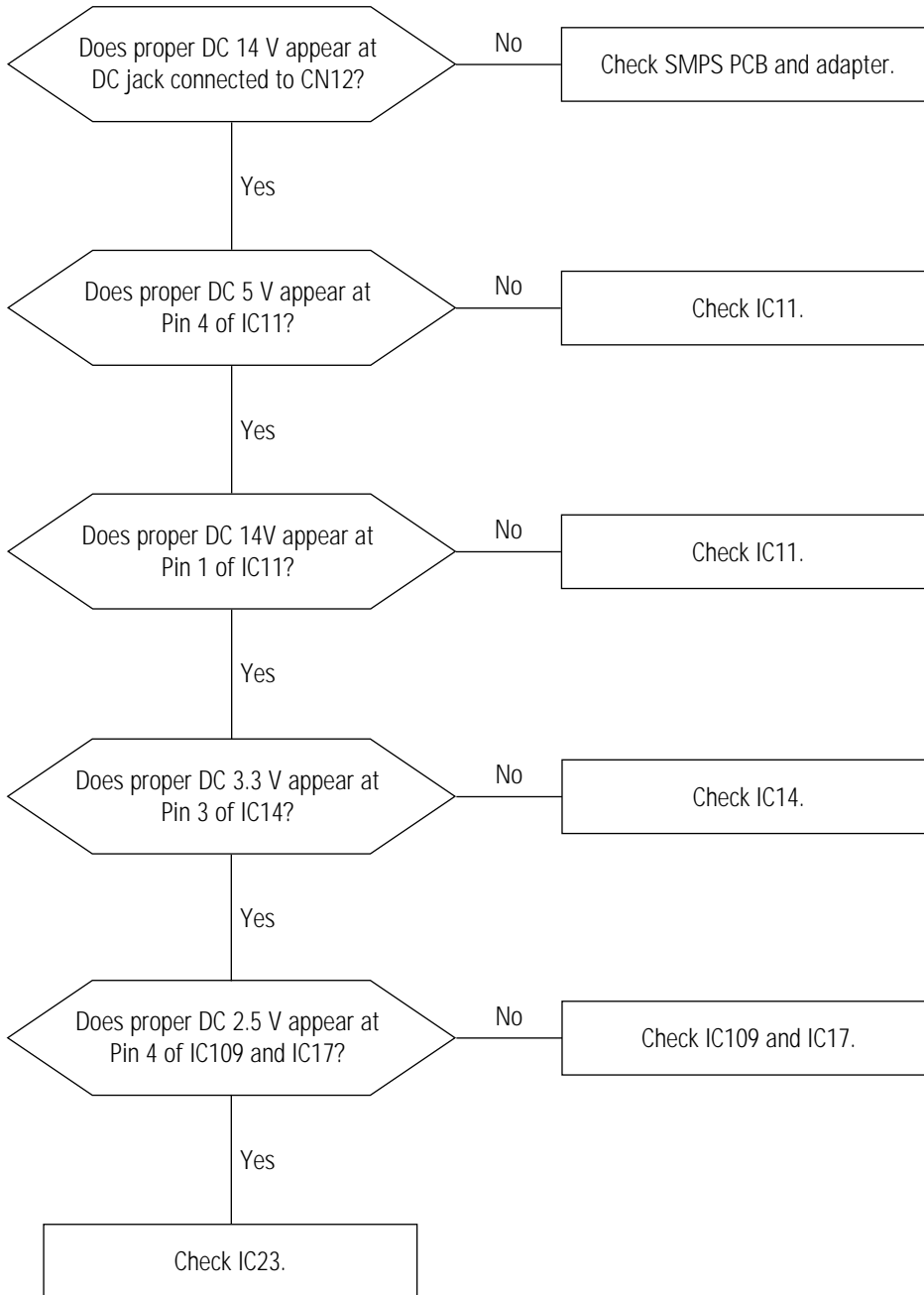
* This Document can not be used without Samsung's authorization.

11-7 Function Part Schematic Diagram

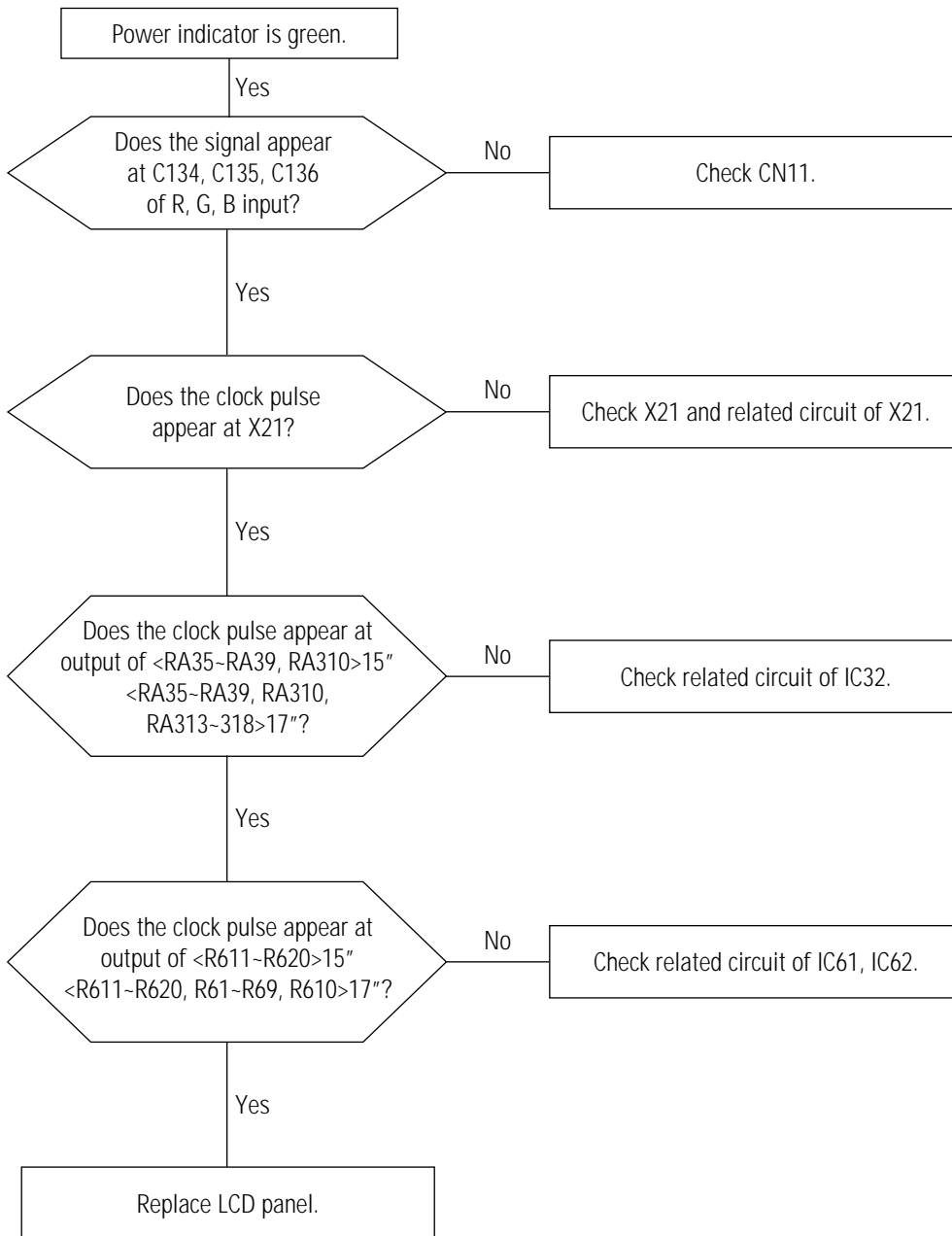


5 Troubleshooting

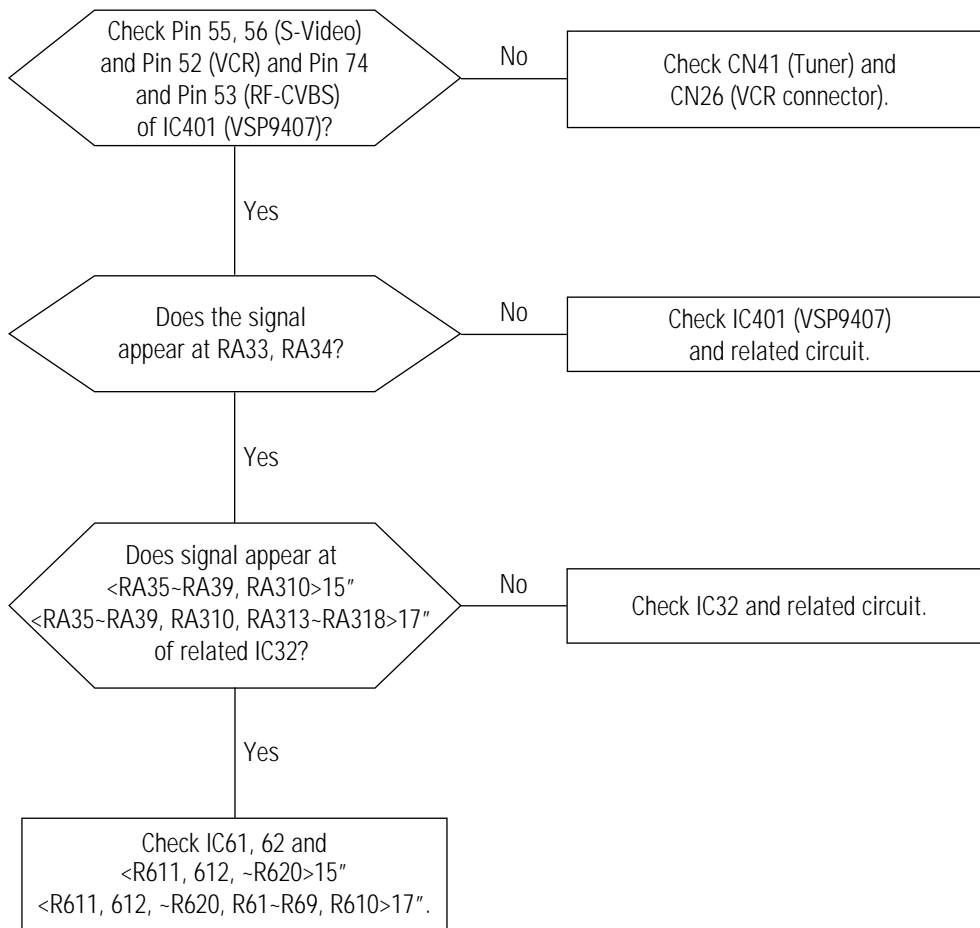
5-1 No Power



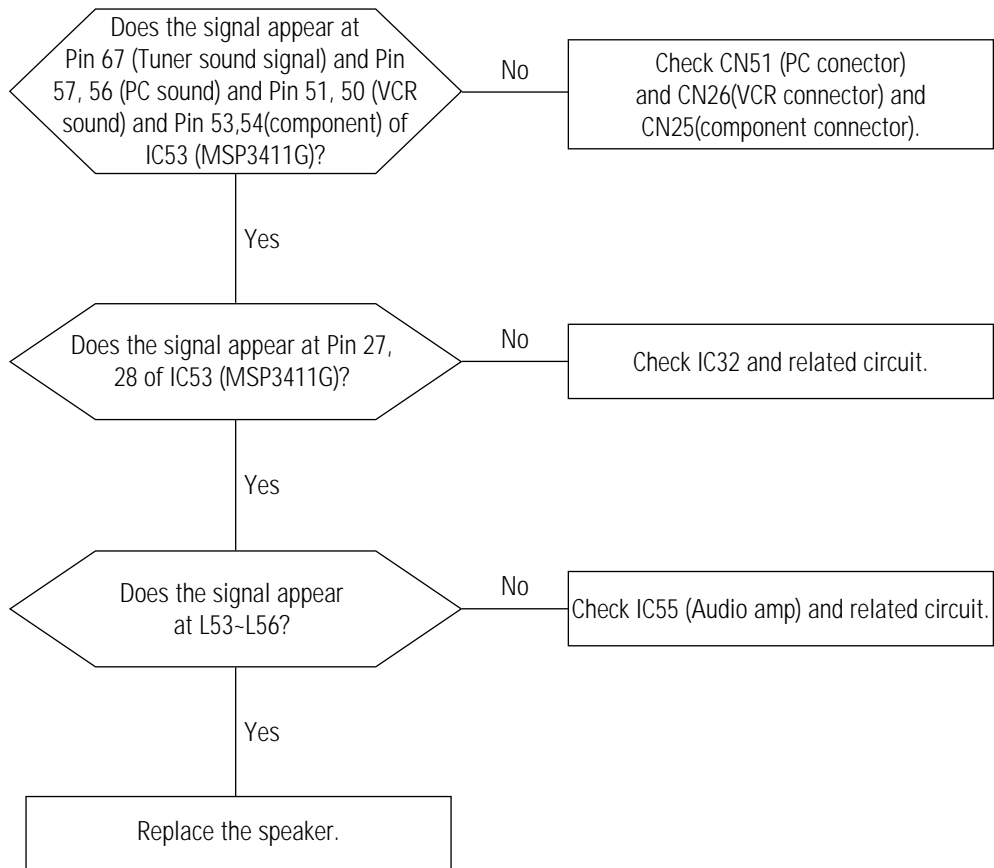
5-2 No Video (PC Signal)



5-3 No Picture (TV, Video, S-Video)



5-4 No Sound

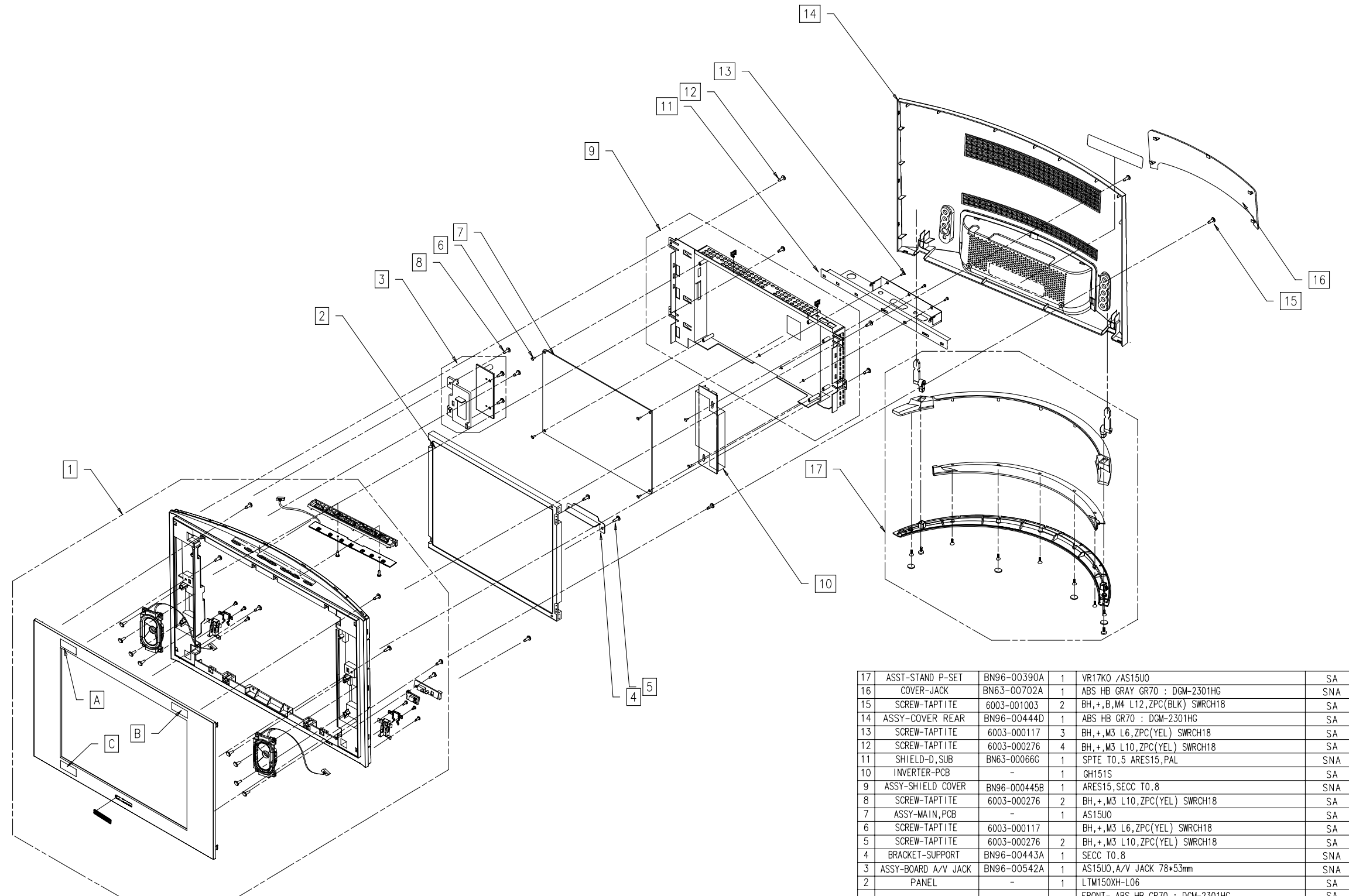


6 Exploded View and Parts List

* You can search for updated part codes through CMS web site.

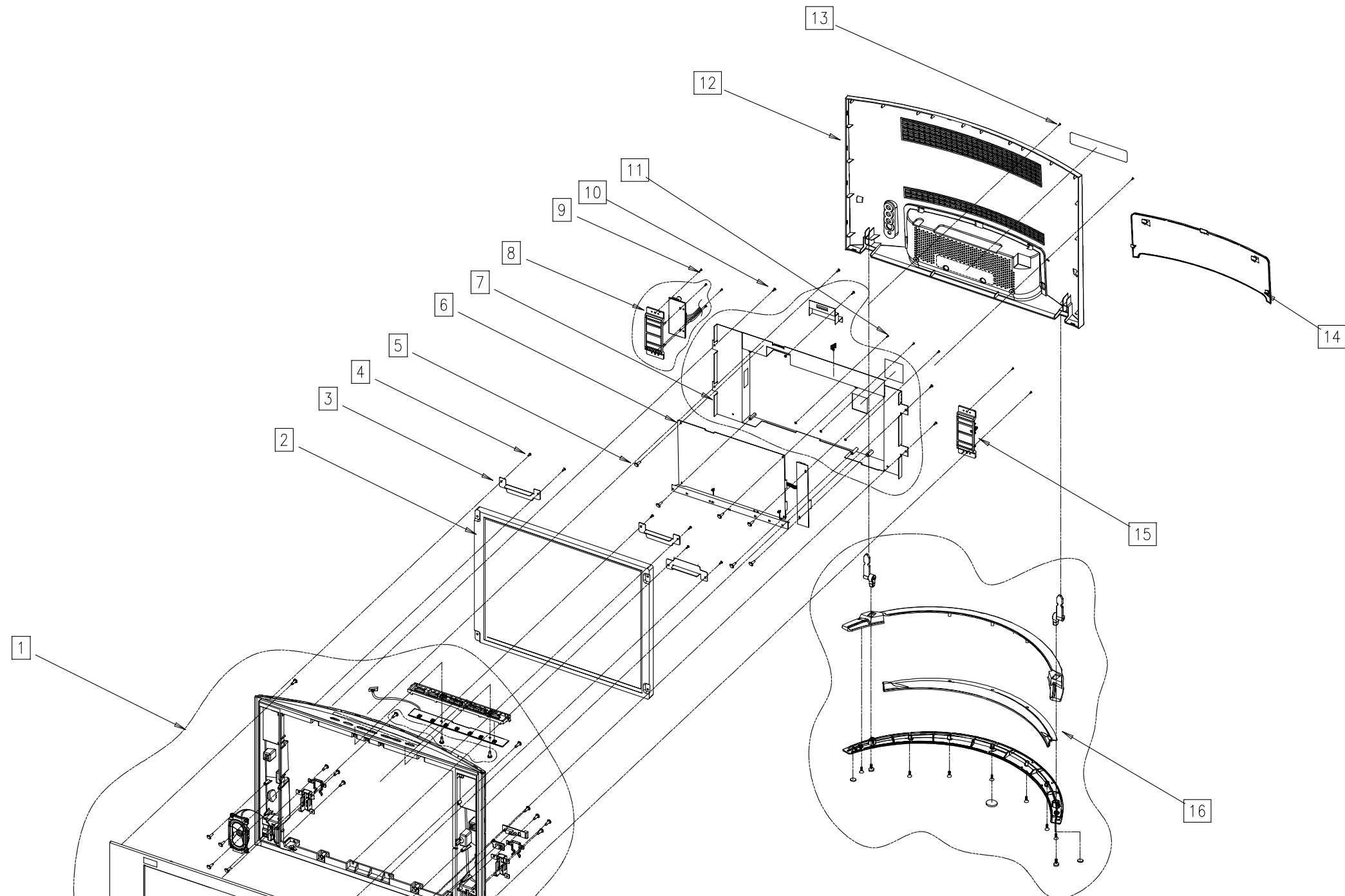
URL : <http://ecms.samsungelectronics.com/>

6-1 LS15E33C



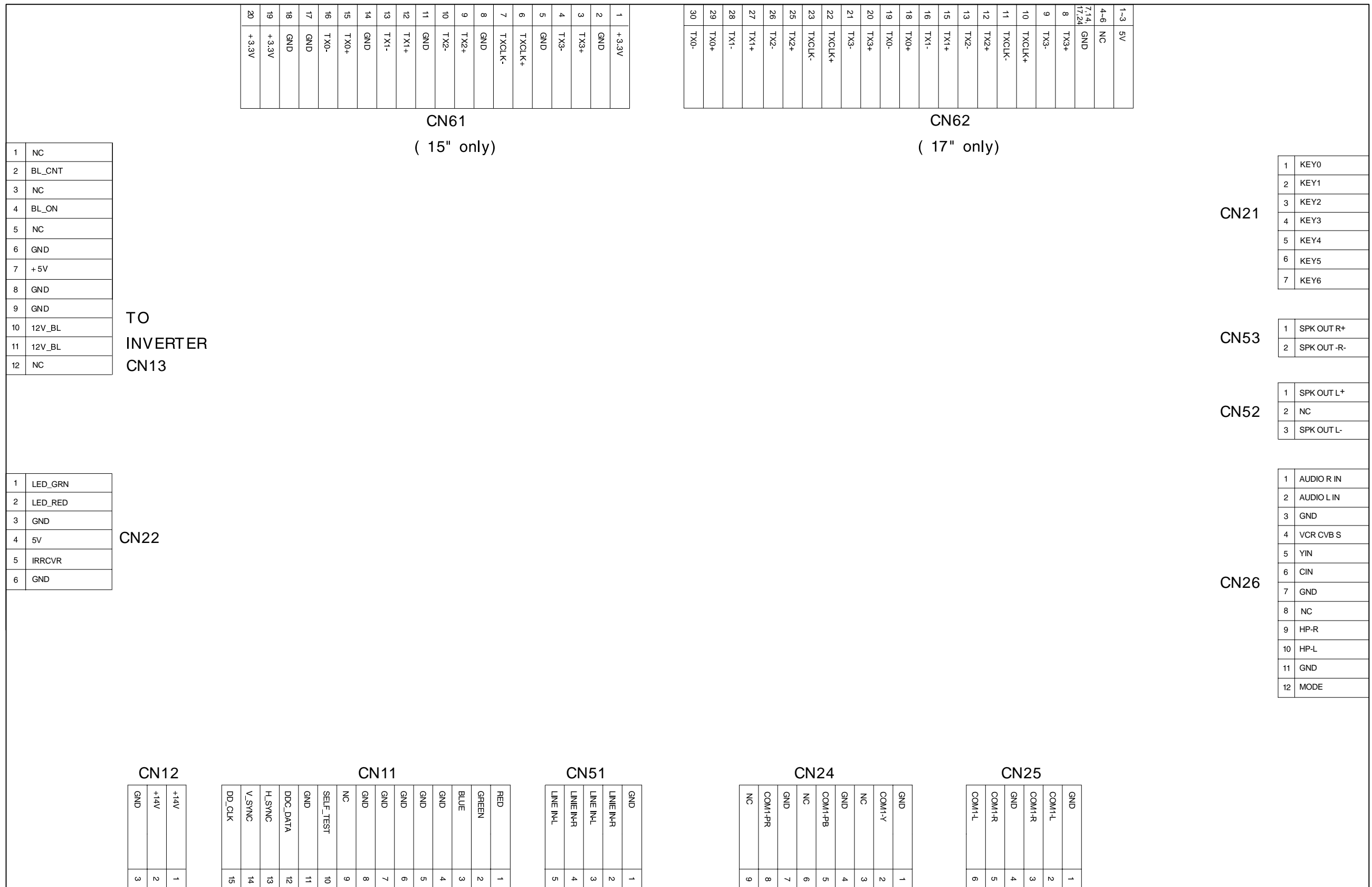
17	ASST-STAND P-SET	BN96-00390A	1	VR17K0 /AS15U0	SA
16	COVER-JACK	BN63-00702A	1	ABS HB GRAY GR70 : DGM-2301HG	SNA
15	SCREW-TAPTITE	6003-001003	2	BH,+B,M4 L12,ZPC(BLK) SWRCH18	SA
14	ASSY-COVER REAR	BN96-00444D	1	ABS HB GR70 : DGM-2301HG	SA
13	SCREW-TAPTITE	6003-000117	3	BH,+M3 L6,ZPC(YEL) SWRCH18	SA
12	SCREW-TAPTITE	6003-000276	4	BH,+M3 L10,ZPC(YEL) SWRCH18	SA
11	SHIELD-D, SUB	BN63-00066G	1	SPT E T0.5 ARES15,PAL	SNA
10	INVERTER-PCB	-	1	CH151S	SA
9	ASSY-SHIELD COVER	BN96-000445B	1	ARES15,SECC T0.8	SNA
8	SCREW-TAPTITE	6003-000276	2	BH,+M3 L10,ZPC(YEL) SWRCH18	SA
7	ASSY-MAIN,PCB	-	1	AS15U0	SA
6	SCREW-TAPTITE	6003-000117	1	BH,+M3 L6,ZPC(YEL) SWRCH18	SA
5	SCREW-TAPTITE	6003-000276	2	BH,+M3 L10,ZPC(YEL) SWRCH18	SA
4	BRACKET-SUPPORT	BN96-00443A	1	SECC T0.8	SNA
3	ASSY-BOARD A/V JACK	BN96-00542A	1	AS15U0,A/V JACK 78*53mm	SNA
2	PANEL	-	1	LTM150XH-L06	SA
1	ASSY-COVER FRONT	BN96-00443D	1	FRONT- ABS HB GR70 : DGM-2301HG MIDDLE - ABS HB 1V16 : WHN-1302 + CLP-1303MG	SA
NO	PART NAME	CODE NO.	Q'TY	SPECIFICATION	REMARK

6-2 LS17E34C



16	ASSY STAND	BN96-00442A	1	ABS HB GR70(DGM-2301HG)	SA
15	HOLDER PCB	BN61-00426A	1	ABS HB 1V16	SNA
14	COVER DOOR	BN63-00694A	1	ABS HB GR70(DGM-2301HG)	SNA
13	SCREW TAPTITE	6003-001003	2	BH,+,B,M4,L12,ZPC(BLK)	SA
12	ASSY COVER REAR	BN96-00440D	1	ABS HB GR70(DGM-2301HG)	SA
11	SCREW TAPTITE	6003-000117	3	BH,B,M3,L6	SA
10	SCREW TAPTITE	6003-000276	4	BH,B,M3,L10	SA
9	SCREW TAPTITE	6003-000276	4	BH,B,M3,L10	SA
8	ASSY B/P-AV JACK	BN96-00543A	1		SNA
7	ASSY SHIELD PCB	BN96-00441B	1	SECC T0,8	SNA
6	ASSY PCB	-	1		-
5	SCREW TAPTITE	6003-000117	6	BH,B,M3,L6	SA
4	SCREW TAPTITE	6003-000276	6	BH,B,M3,L10	SA
3	BRKT SUPPORT	BN70-00192A	3	SECC T0,8	SNA
2	PANEL	-	1	17*	-
1	ASSY COVER FRONT	BN96-00439D	1	FRONT - ABS HB GR70 : DGM-2301HG MIDDLE - ABS HB 1V16 : W/N-1302 + CLP-1303MG)	SA
No	Part Name	Code No	Q'TY	Specification	Remark

9 Wiring Diagram



Memo